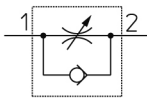


AS*2/3*1F-A, Speed Controller with One-touch Fitting, Push Lock, Elbow/Universal Type AS3201F-03-06A

Datasheet

Using SMC speed controllers with built in one-touch fittings minimizes installation time, reduces mounting height and enables a more compact machine design. These speed controllers allow the body to be rotated to facilitate simple installation. Available in thread sizes from M3 to 1/2 in both inch (NPT) and metric R(PT) and with tube sizes from 3.2mm to 12mm OD (metric) and 1/8 to 1/2 OD (inch) and with optional elbow and universal style (increased flexibility) and meter in and meter out, these flow controls are designed to meet most applications.



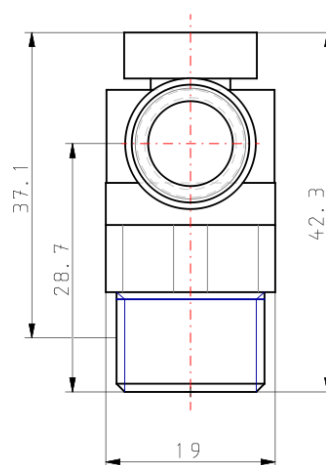
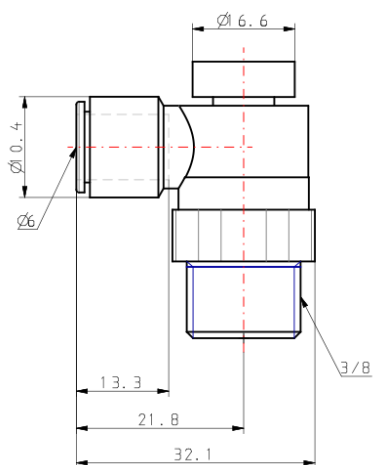
Flow control valve, adjustable, with reverse free flow

Standard specifications

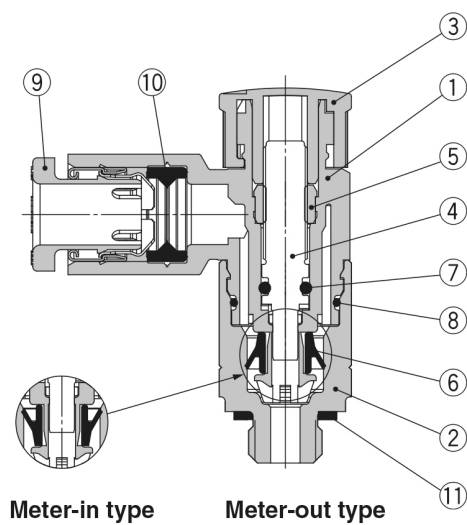
Clean Series	None
Body Size	3 (3/8)
Type	2 (Elbow)
Control Type	0 (Meter-out)
Thread Type	R or Metric
Port Size	03 (3/8)
Across Flat [H]	Body Size 1: 9mm
Body Size 2, 3, 4	None
Applicable Tubing O.D.	Ø6
Seal	None
Made to Order	None
Pressure medium	Compressed air
Maximum temperature of pressure medium	60 °C
Minimum temperature of pressure medium	-5 °C
Maximum operating pressure	1 MPa
Minimum operating pressure	0.1 MPa
Proof pressure	1.5 MPa
Maximum ambient temperature	60 °C
Minimum ambient temperature	-5 °C

Critical pressure ratio	0.3
Sonic conductance dm ³ /(s·bar)	2.1
Number of needle rotations	10
Weight	0.031 Kg

Dimensions



Constructions



Component Parts

No.	Description	Material	Note
1	Body A	PBT	
2	Body B	Brass	Electroless nickel plating
3	Knob	POM	
4	Needle	PBT	
5	Needle guide	Brass	Electroless nickel plating
6	U-seal	HNBR	
7	O-ring	NBR	
8	O-ring	NBR	
9	Cassette	—	
10	Seal	NBR	
11	Gasket	NBR/Stainless steel	

Additional information

Catalogue

[AS-1F_FG-A-Dd_EU.pdf](#)