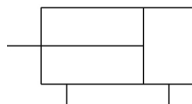


C(D)Q2, Compact Cylinder, Double Acting, Single Rod w/Auto Switch Mounting Groove

CQ2B50TF-5DZ

Datasheet

- Double acting, single rod, compact cylinder
- Bore sizes (mm): 12, 16, 20, 25, 32, 40, 50, 63, 80, 100
- Standard stroke range (mm): 5 to 100
- Port threads: M (12 to 25 bore); Rc, NPT or G (32 to 100 bore)
- Can mount small auto switches on 4 surfaces.



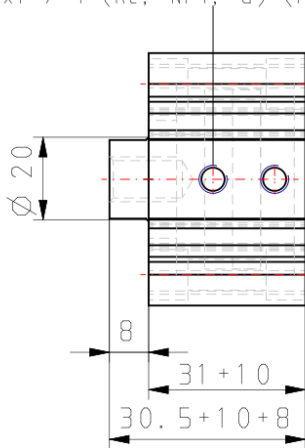
Standard specifications

| | |
|---------------------------------|--------------------------------------|
| Magnet | None |
| Mounting | B (Through Hole [Standard]) |
| Type | Standard |
| Bore Size | Ø50 mm |
| Port Thread Type | TF |
| Lube-retainer | Without Stable Lubrication Function |
| Stroke | 5 |
| Body Option | Standard [Rod End Female Thread] |
| Auto Switch Groove | None, also for 12-25 Bore w/o Magnet |
| Mounting Bolt | None |
| Rod End Bracket | None |
| Auto Switch | No Switch |
| Lead Wire or Prewired Connector | Z (5 m) |
| Number | 2 pcs. |
| Rod End Options | None |
| Temperature Resistance | None |
| Low Speed | None |
| Made of Stainless Steel | None |
| Fluororubber Seal | None |

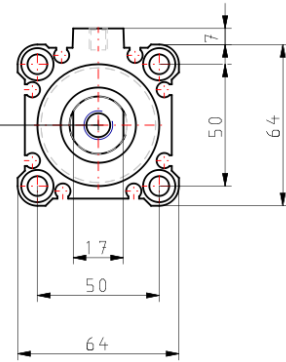
| - | Compressed air |
|---|----------------|
| Maximum temperature of pressure medium | 70 °C |
| Minimum temperature of pressure medium | -10 °C |
| Maximum operating pressure | 1.0 MPa |
| Minimum operating pressure | 0,05 Mpa |
| Proof pressure | 1.5 MPa |
| Maximum ambient temperature | 70 °C |
| Minimum ambient temperature | -10 °C |
| Pneumatic input connection | G 1/4 |
| Theoretical cylinder force, advance stroke (at 0.5 MPa) | 982 N |
| Theoretical cylinder force, return stroke (at 0.5 MPa) | 825 N |
| Maximum piston speed | 500 mm/s |
| Male thread of rod end | M18 x 1.5 |
| Female thread of rod end | M10 x 1.5 |
| Minimum piston speed | 50 mm/s |
| Weight | 0.012 Kg |

Dimensions

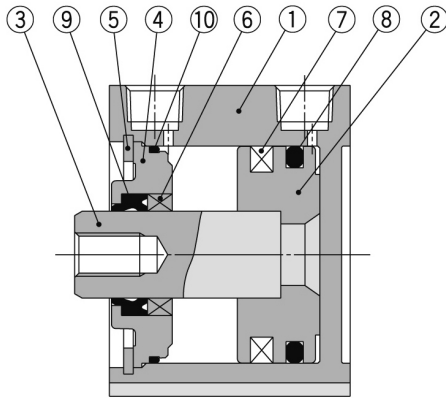
2x1 / 4 (Rc, NPT, G) (Port size)



M10 x 1.5 thread effective depth 15



Constructions



Component Parts

| No. | Description | Material | Note |
|-----|-----------------------|-----------------------|---------------------------------|
| 1 | Cylinder tube | Aluminum alloy | Hard anodised |
| 2 | Piston | Aluminum alloy | Chromated |
| 3 | Piston rod | Stainless steel | ø12 to ø25 |
| | | Carbon steel | ø32 to ø100, Hard chrome plated |
| 4 | Collar | Aluminum alloy | ø12 to ø40, Anodised |
| | | Aluminum alloy casted | ø50 to ø100, Chromated, Painted |
| 5 | Retaining ring | Carbon tool steel | Phosphate coated |
| 6 | Bushing | Bearing alloy | For ø50 or more only |
| 7 | Magnet | — | |
| 8 | Piston seal | NBR | |
| 9 | Rod seal | NBR | |
| 10 | Gasket | NBR | |

Replacement Parts/Seal Kit (Pneumatic type)

| Bore size (mm) | Kit no. | Contents |
|----------------|------------|--|
| 12 | CQ2B12-PS | Kits include items ⑧, ⑨, ⑩ from the table. |
| 16 | CQ2B16-PS | |
| 20 | CQ2B20-PS | |
| 25 | CQ2B25-PS | |
| 32 | CQ2B32-PS | |
| 40 | CQ2B40-PS | |
| 50 | CQ2B50-PS | |
| 63 | CQ2B63-PS | |
| 80 | CQ2B80-PS | |
| 100 | CQ2B100-PS | |

Replacement Parts/Seal Kit (Air-hydro type)

| Bore size (mm) | Kit no. | Contents |
|----------------|-------------|--|
| 20 | CQ2BH20-PS | Kits include items ⑧, ⑨, ⑩ from the table. |
| 25 | CQ2BH25-PS | |
| 32 | CQ2BH32-PS | |
| 40 | CQ2BH40-PS | |
| 50 | CQ2BH50-PS | |
| 63 | CQ2BH63-PS | |
| 80 | CQ2BH80-PS | |
| 100 | CQ2BH100-PS | |

- * Seal kit includes ⑧, ⑨, ⑩. Order the seal kit, based on each bore size.
- * Since the seal kit does not include a grease pack, order it separately.
Grease pack part no.: GR-S-010 (10 g)

- * Seal kit includes ⑧, ⑨, ⑩. Order the seal kit, based on each bore size.
- * Since the seal kit does not include a grease pack, order it separately.
Grease pack part no.: GR-S-010 (10 g)

Additional information

Catalogue

[CQ2-Z-B_EU.pdf](#)