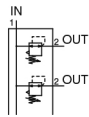


ARM11A, Small Manifold Regulator, Common Supply ARM11AB3-274-NZ

Datasheet

General series information

- Manifold regulator, common supply type
- IN/OUT fittings: straight & elbow (metric & inch)
- Proof pressure: 1.5MPa
- Ambient temperature: 5~60°C
- Variety of accessories available
- Options: 0.35MPa setting, non-relieving, oil free



Pressure control valve, relieving pressure regulator, adjustable, manifold

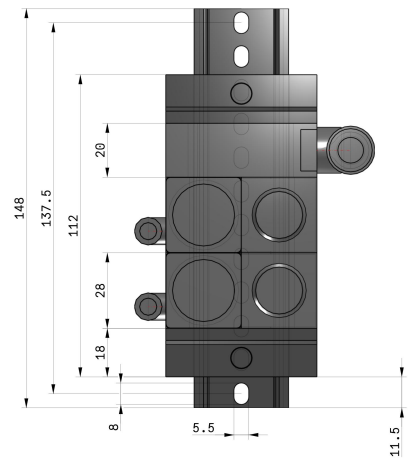
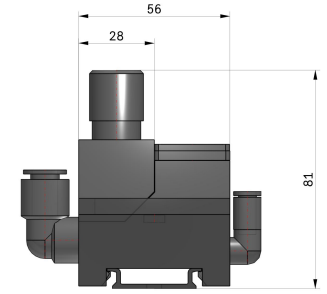
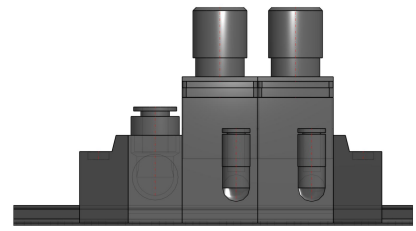
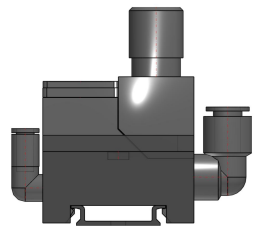
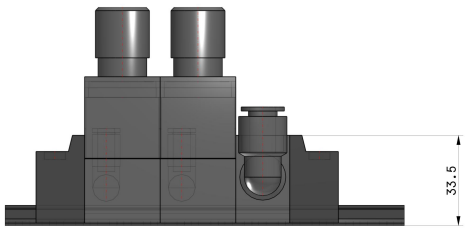
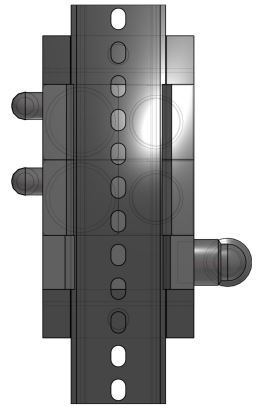
Standard specifications

Handle Position	B (Front)
Piping	3 (IN:Bottom/OUT:Top)
Stations	2 Stations
Fitting	74 (IN: Elbow 3/8/OUT: Elbow 1/4)
Accessory	N (Pressure Gauge, Common SUP Block R Side)
Option	None
Unit	Z (Name Plate, Pressure Gauge PSI)
Digital Pressure Switch Output Specifications	None
Maximum operating pressure	1.0 MPa
Proof pressure	1.5 MPa
Set pressure range	0.05 - 0.7 MPa
Fluid	Air
Regulator construction	Direct acting
Working principle	Diaphragm regulator
Relief mechanism	Relief type
Backflow function	Within (unbalance type)
Ambient and fluid temperature	5 - 60 °C

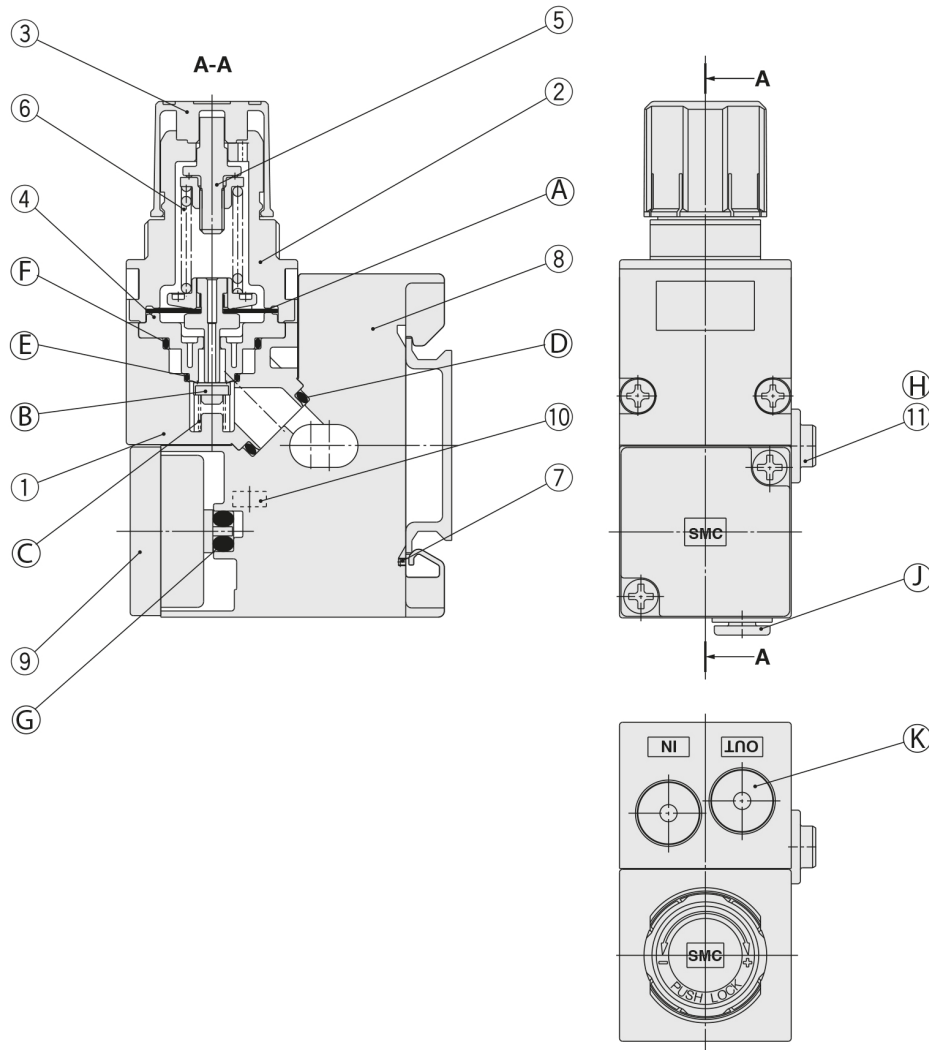
Weight

0.034 Kg

Dimensions



Constructions



Component Parts

No.	Description	Material
1	Body for regulator block	PBT
2	Bonnet	PBT
3	Handle	POM
4	Valve seat	POM
5	Adjusting screw assembly	Reinforced steel
6	Adjustment spring	Steel wire
7	Regulator clip	Stainless steel
8	Manifold block	PBT
9	Blanking plate assembly	—
10	Square nut	Steel
11	Common exhaust bushing	POM

No.	Description	Material	Note
A	Diaphragm assembly	Weatherproof NBR, POM	Relieving type
			Non-relieving type
B	Valve	HNBR, Aluminum alloy	
C	Valve spring	Stainless steel	
D	Gasket	HNBR	
E	O-ring	NBR	Standard model
		HNBR	Oil-free specification
F	O-ring	NBR	Standard model
		HNBR	Oil-free specification
G	O-ring	NBR	Standard model
		HNBR	Oil-free specification
		NBR	Standard model for digital pressure switch
		HNBR	Oil-free spec. for digital pressure switch
H	O-ring	NBR	Standard model
		HNBR	Oil-free specification
J	Fitting assembly	—	
K	Port plug	PBT/HNBR	

Additional information

Catalogue

[ARM10-11_EU.pdf](#)

Operation manuals

[arm10_11_op_man_ar_-omg0039-a.pdf](#)