

## Elbow - AS\*2\*1F AS4211F-04-12S

### Datasheet

### General series information

- Port Size: M3, M5, 10-32 UNF, 1/8, 1/4, 3/8, 1/2
- Applicable Tubing O.D.: Ø 2 to Ø 12 mm and Ø 1/8" to Ø 1/2"
- Operating Pressure Range: 0.1 to 1 MPa.

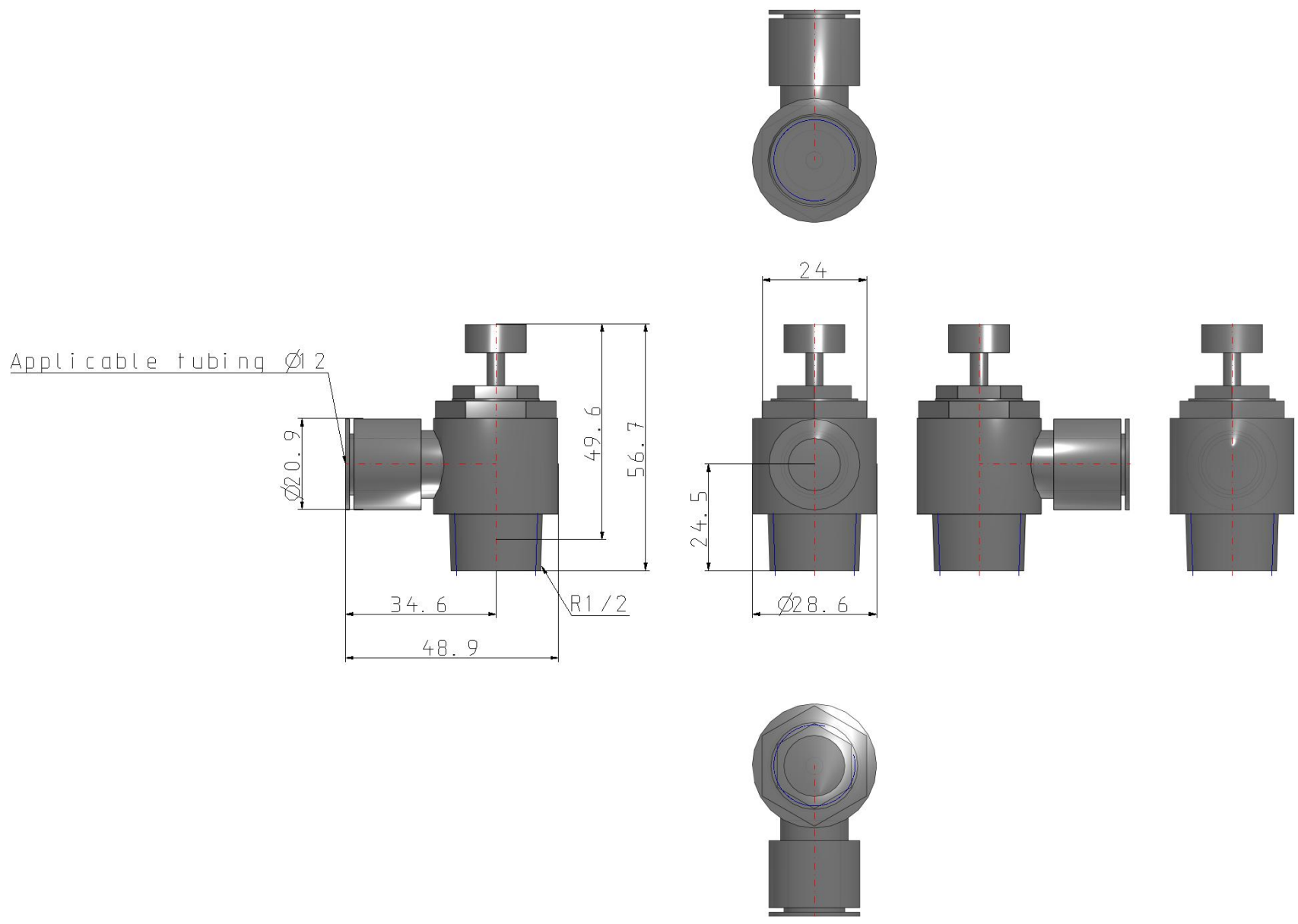


Flow control valve, adjustable, with reverse free flow

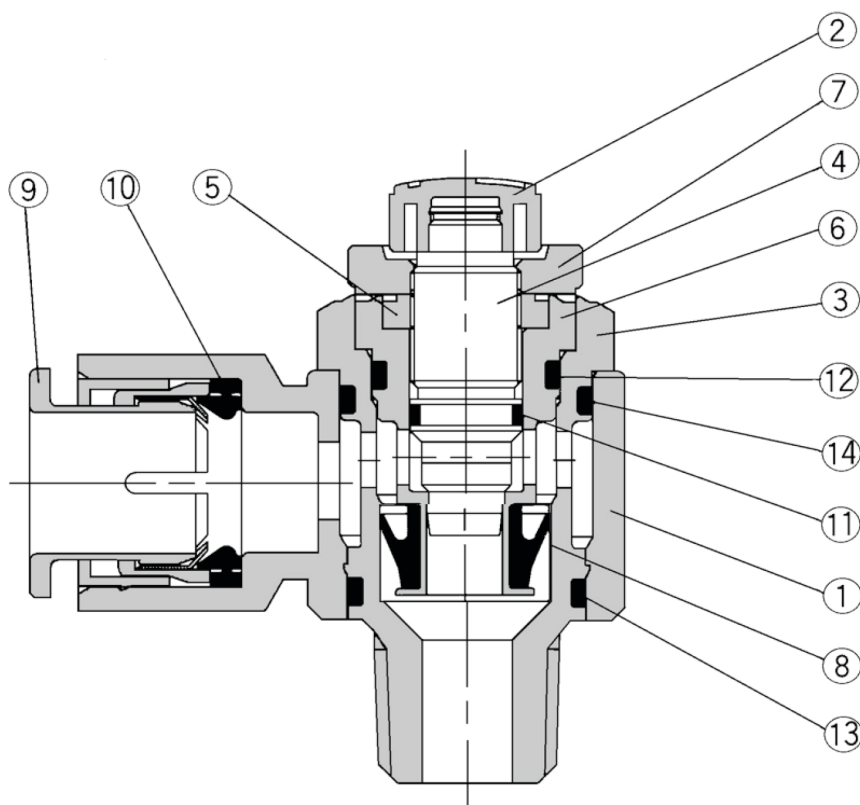
### Standard specifications

|                             |  |
|-----------------------------|--|
| Size                        | 42 (1/2 Basis - elbow)                 |
| Control Method              | 1 (Meter-in)                           |
| Port Size and Tube Size     | 04-12 (Port Size R1/2 - Tube Size ø12) |
| Option                      | S (Sealant)                            |
| Fixed Orifice               | None                                   |
| Made to Order               | None                                   |
| Lock Nut                    | Standard (Hexagon)                     |
| Pressure medium             | Air                                    |
| Maximum operating pressure  | 1 MPa                                  |
| Minimum operating pressure  | 0.1 MPa                                |
| Proof pressure              | 1.5 MPa                                |
| Maximum ambient temperature | 60 °C                                  |
| Minimum ambient temperature | -5 °C                                  |
| Applicable tubing material  | Nylon, Soft nylon, Polyurethane        |
| Weight                      | 0.101 Kg                               |

# Dimensions



## Constructions



## Component Parts

| No. | Description  |                      |
|-----|--------------|----------------------|
| ①   | Body A       | PBT                  |
| ②   | Handle       | PBT <sup>(1)</sup>   |
| ③   | Body B       | Brass <sup>(2)</sup> |
| ④   | Needle       | Brass                |
| ⑤   | Needle guide | Brass                |
| ⑥   | Seat ring    | Brass                |
| ⑦   | Lock nut     | Steel                |
| ⑧   | U-packing    | HNBR                 |
| ⑨   | Cassette     | POM, Stainless steel |
| ⑩   | Packing      | NBR                  |
| ⑪   | O ring       | NBR                  |
| ⑫   | O ring       | NBR                  |
| ⑬   | O ring       | NBR                  |
| ⑭   | O ring       | NBR                  |

Note 1) AS12□1F-M3-02 and AS12□1F-M5-02 are made of electroless nickel plated brass.

Note 2) AS12□1F-M3: Stainless

Note 3) AS22□1F, AS32□1F-02: Electroless nickel plated

Note 4) Meter-in type: Black zinc chromated

## Additional information

Catalogue

[PPE-Gg\\_EU.pdf](#)

Operation manuals

[OM\\_AS-F\\_OMG0107EN-A.pdf](#)