

C(D)Q2-XC92, Compact Cylinder, Dust Resistant Actuator CQ2B32TF-20DZ-XC92

Datasheet

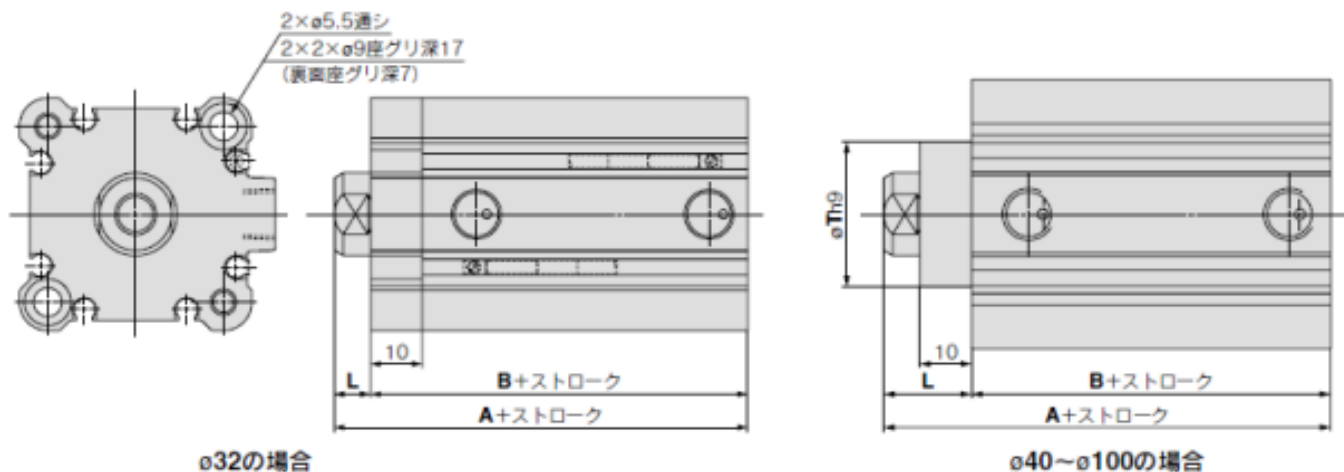
General series information

- Double acting, single rod, compact cylinder
- Bore sizes (mm): 12, 16, 20, 25, 32, 40, 50, 63, 80, 100
- Standard stroke range (mm): 5 to 100
- Port threads: M (12 to 25 bore); Rc, NPT or G (32 to 100 bore)
- Can mount small auto switches on 4 surfaces.

Standard specifications

| | |
|----------------------------------|---|
| Magnet | None |
| Mounting | B [Through Hole (Standard)] |
| Bore Size | 32 mm |
| Port Thread Type | TF (G 32-100 Bore) |
| Stroke | 20 |
| Body Option | Standard (Rod End Female Thread) |
| Auto Switch | No Switch |
| Lead Wire or Prewired Connector | 0.5m or None in the Case of No Switch |
| Number | 2 pcs. or None in the Case of No Switch |
| Number of pneumatic connections | 2 pcs. |
| Mode of operation of drive | Double acting |
| Geometric form of the piston rod | Single rod |

Dimensions



| チューブ 内径 (mm) | A | | B | | L | T |
|-----------------|-------------|----------|-------------|----------|----|----|
| | オートスイッチなし | オートスイッチ付 | オートスイッチなし | オートスイッチ付 | | |
| 32 | 40 (50) | 50 | 33 (43) | 43 | 7 | — |
| 40 | 46.5 (56.5) | 56.5 | 29.5 (39.5) | 39.5 | 17 | 28 |
| 50 | 48.5 (58.5) | 58.5 | 30.5 (40.5) | 40.5 | 18 | 35 |
| 63 | 54 (64) | 64 | 36 (46) | 46 | 18 | 35 |
| 80 | 63.5 (73.5) | 73.5 | 43.5 (53.5) | 53.5 | 20 | 43 |
| 100 | 75 (85) | 85 | 53 (63) | 63 | 22 | 59 |

(mm)

- 注1) ラバークッション付の場合のストローク公差には、ダンパの変化量は含みません。
- 注2) ()内寸法は75, 100stの場合を示します。

Additional information

Catalogue

[CQ2-Z-D_EU.pdf](#)