

ANB1 High Noise Reduction Silencer - 38dB(A) ANB1-10

Datasheet

The high noise reduction style silencer ANA1 keeps the noise level inside a plant below 85dB(A) with a noise reduction effect of 40dB(A). Series ANB1 has a noise reduction effect of 38dB(A) and has a larger effective area with the same port size as series ANA1. It is also available for common exhaust from manifolds.

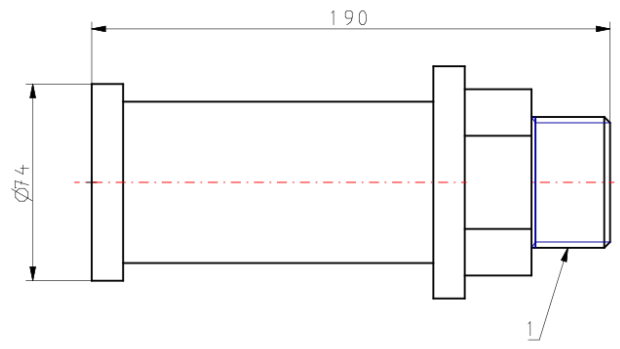
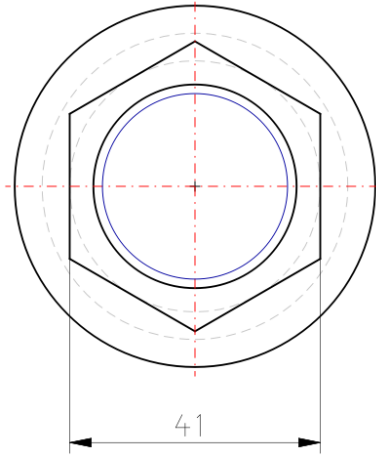


Silencer

Standard specifications

Model	ANB1-10 (Port Size 1)
Pressure medium	Compressed Air
Maximum temperature of pressure medium	60 °C
Minimum temperature of pressure medium	5 °C
Maximum ambient temperature	60 °C
Minimum ambient temperature	5 °C
Conform to the European RoHS Directive	Conform
Pneumatic input connection	R 1
Noise reduction	-38 dB (A)
Weight	0.500 Kg

Dimensions



Additional information

Catalogue

[AN_EU.pdf](#)