

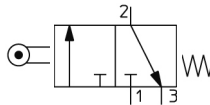
VM100, 100 Series 2/3 Port Mechanical Valve

VM131-01-01A

Datasheet

General series information

- Fluid: Air/Inert gas.
- Compact size.
- Piping options: Side ported, Bottom ported.
- Possible to choose mounting method with side ported.
- Variety of actuator types.



Directional control valve 3/2-way valve, closed normal position With mechanical control roller return with mechanical control spring

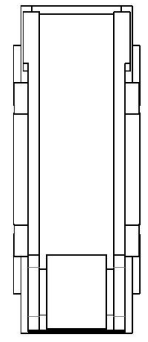
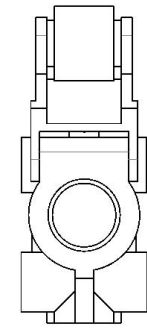
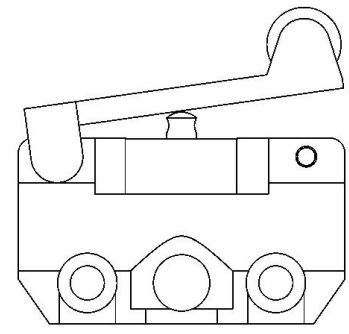
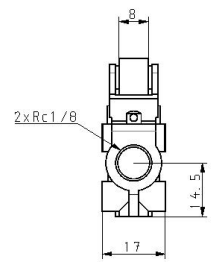
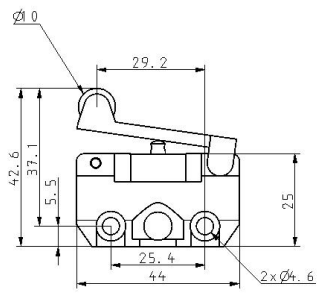
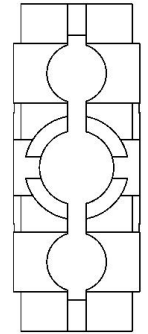
Standard specifications

Number of Ports	3 Port
Piping Direct., Plunger Length	1 (Side Ported Short)
Body Option	Side Mounting
Port Size	01 (R 1/8) Side Ported Only
Actuator type	01 (Roller Lever)
Suffix	None
Indicator	None
Bracket	None
Pressure medium	Air/Inert gas
Maximum temperature of pressure medium	60 °C
Minimum temperature of pressure medium	-5 °C (No freezing)
Maximum operating pressure	1.0 MPa
Minimum operating pressure	-100 kPa
Maximum ambient temperature	60 °C
Minimum ambient temperature	-5 °C (No freezing)
Pneumatic input connection	R 1/8
Pneumatic exhaust connection	R 1/8
Function in normal position	Exhausted

Type of piloting	Directly
Valve return	Mechanical spring
Flow rate	144 l/min
Critical pressure ratio	0.2
Sonic conductance dm ³ /(s·bar)	0.6
Actuation type	Mechanically
Weight	0.071 Kg

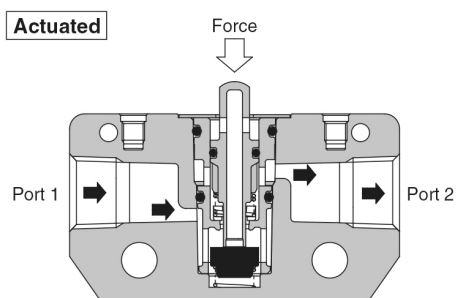
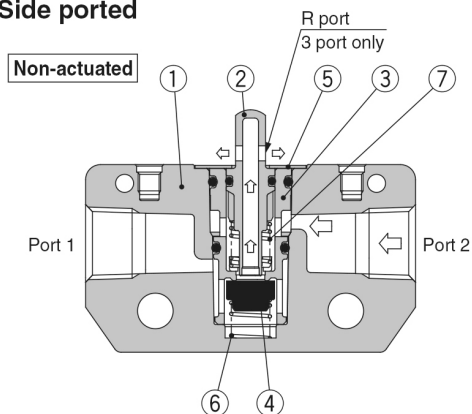
Specifications are subject to change without prior notice and any obligation on the part of the manufacturer.

Dimensions

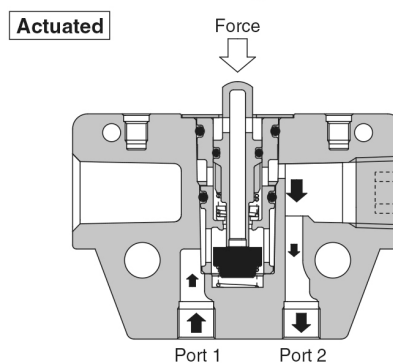
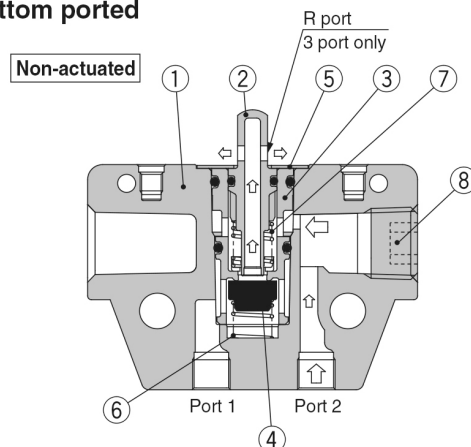


Constructions

Side ported



Bottom ported



Component Parts

No.	Description	Material	Note	
1	Valve	ZDC	White coated	
2	Plunger	Polyacetal	2 port	Grey
			3 port	White
3	Valve sheet	PBT		
4	Valve	NBR		

No.	Description	Material	Note
5	Plunger retainer	Stainless steel	
6	Spring	Stainless steel	
7	Spring	Spring steel	
8	Hexagon socket head taper plug	Rolled steel	

Additional information

Catalogue	VM100-200-A_EU.pdf
Installation manuals	IM_VM100_TF2Z478EN-C.pdf