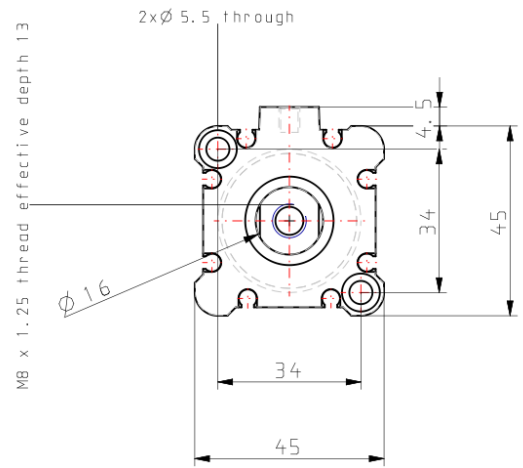
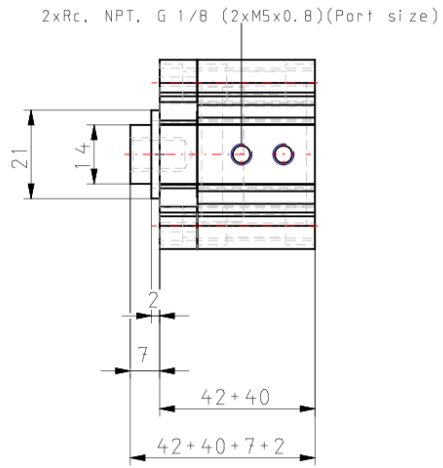


**C(D)Q2K, Compact Cylinder, Double Acting, Single Rod, Non-rotating w/Auto Switch Mounting Groove**  
**CDQ2KB32TF-40DZ**

- Double acting, single rod, non-rotating compact cylinder
- Bore sizes (mm): 12, 16, 20, 25, 32, 40, 50, 63
- Standard stroke range (mm): 5 to 100
- Port threads: M (12 to 25 bore); Rc, NPT or G (32 to 63 bore)
- Can mount small auto switches on 4 surfaces.

*Double-acting, single-rod cylinder*

|                                 |   |
|---------------------------------|---|
| Magnet                          | D (Built-in)                                    |
| Mounting                        | B (Through Hole [Standard; 12 through 63 Bore]) |
| Bore Size                       | Ø32 mm  |
| Port Thread Type                | TF (G)  |
| Stroke                          | 40  |
| Body Option                     | Standard (Rod End Female Thread)                |
| Auto Switch Groove              | None [for 12-25 Bore w/o Magnet]                |
| Auto Switch                     | No Switch                                       |
| Lead Wire or Prewired Connector | Z (5 m)   |
| Number                          | 2 pcs.  |
| Rod End Options                 | None  |
| -                               | Compressed air                                  |



-  
-

[CQ2-Z-B\\_EU.pdf](#)