

ITV00**, Compact Electro-Pneumatic Regulator

ITV0010-3L

Datasheet

General series information

- Pressure range: 0.005 to 0.9 MPa or -1 to -101 kPa
- Maximum flow rate: 6 l/min (ANR)
- Port sizes: built-in one-touch fittings (ø4 mm, ø5/32 inches)
- Error indication LED.



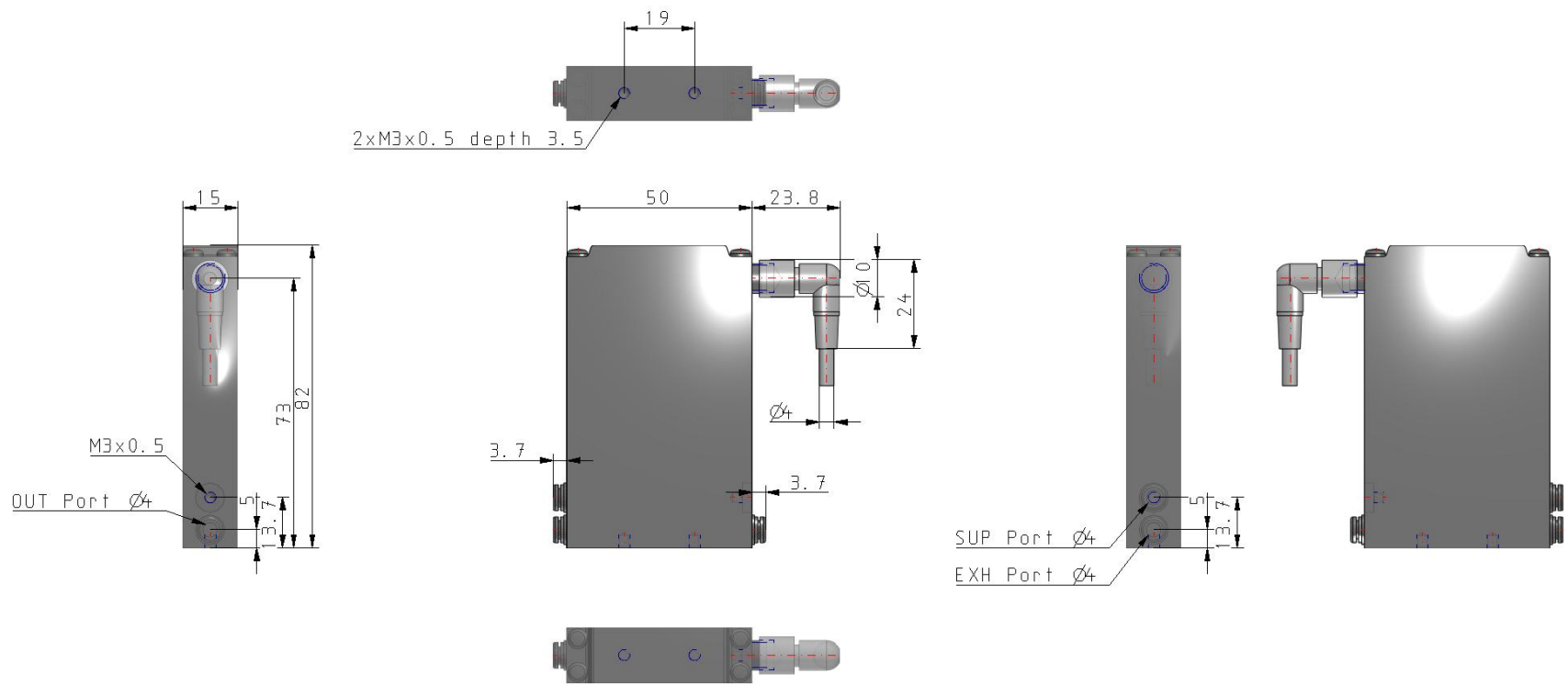
Electro-pneumatic regulator

Standard specifications

Pressure Range	1 (0.001 to 0.1 MPa)
Power Voltage	0 (DC24V)
Input Signal	3 (Voltage Style 0~10 V DC)
Built-in One-touch Fitting	Metric Size One-touch Fitting
Base Type	Single Unit [Standard Base Type]
Bracket	None
Cable Connector	L (Right Angle Style 3 M)
Maximum operating pressure	0.2 MPa
Minimum operating pressure	0.1 MPa
General power supply	24 V DC ±10 %, max. 0.12 A
Approvals	CE
Pneumatic input connection	Ø 4 mm
Pneumatic output connection	Ø 4 mm
Pneumatic exhaust connection	Ø 4 mm
Flow rate of secondary exhaust	6.0 NI/min
Maximum output pressure	0.1 MPa
Current consumption	0.12 A
Enclosure	IP65
Sensitivity	Within 0.2% (Full span)

Repeatability	Within $\pm 0.5\%$ (Full span)
Set pressure range	0.001 - 0.1 MPa
Linearity	Within $\pm 1\%$ (Full span)
Power supply voltage	24 VDC $\pm 10\%$
Max. supply pressure	0.2 MPa
Min. supply pressure	Set pressure +0.1 MPa
Temperature characteristics	Within $\pm 0.12\%$ (Full span)/ $^{\circ}\text{C}$
Connection	Built-in One-touch fittings
Hysteresis	Within 0.5% (Full span)
Input signal Voltage type	0 - 10 VDC
Input impedance Voltage type	10 k Ω
Output signal Analogue	1 to 5 VDC (Output impedance: Approximately 1 k Ω) Output accuracy within $\pm 6\%$ (Full span)
Weight	0.150 Kg

Dimensions



Additional information

Catalogue	ITV-G_EU.pdf
Declaration of conformity	newDoC_ITV0000-H_EN.pdf newDoC_ITV0000-G_EN.pdf newDoC_ITV0000_EN.pdf DoC_ITV00x_TF00001-B.pdf
Installation manuals	IM_ITV0000_TF2Z365EN.pdf
Operation manuals	OM_ITV0000_EN-A.pdf