

## AV2000/3000/4000/5000-A, Soft Start-up Valve

### AV4000-F04-5YOB-A

Datasheet

### General series information

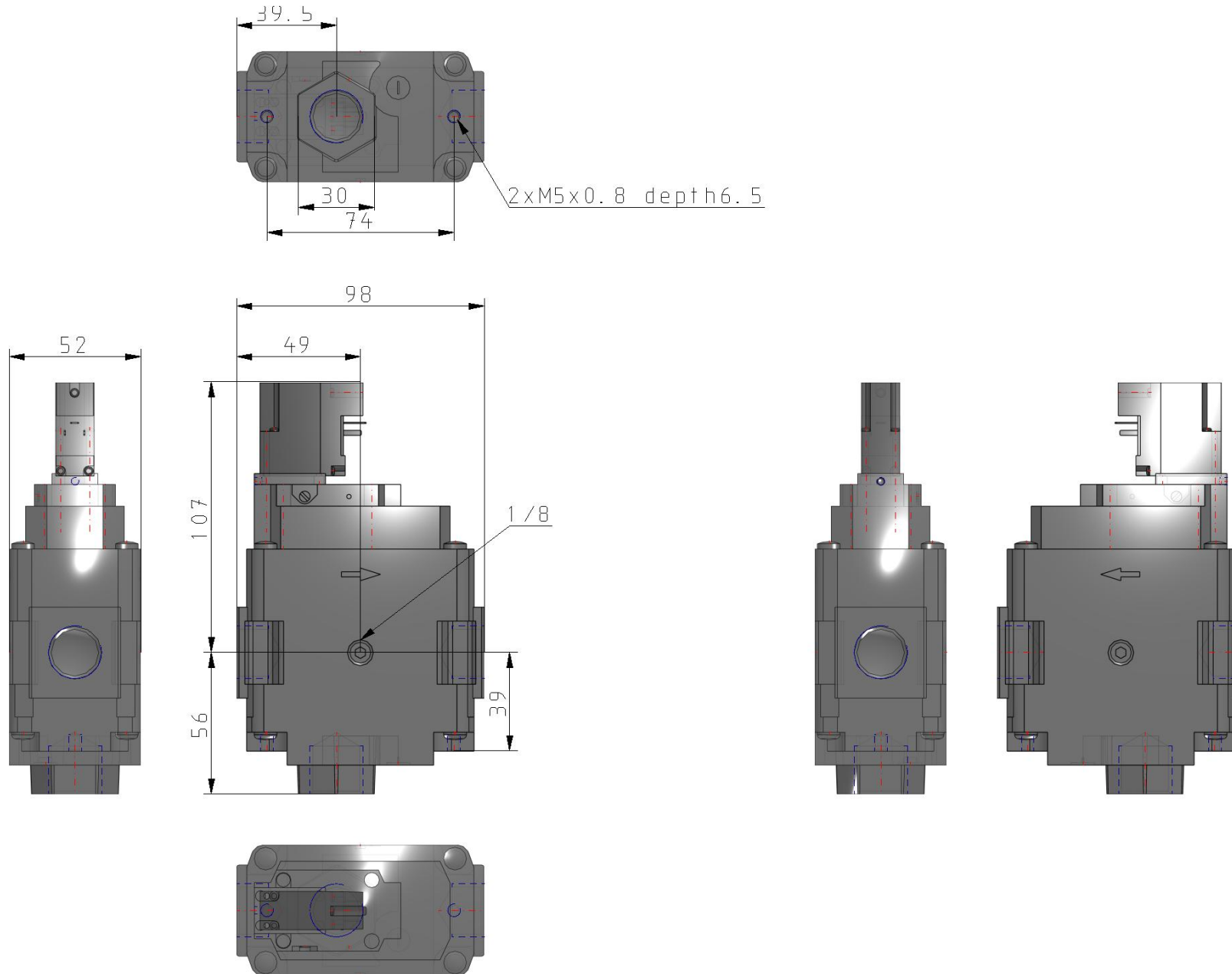
- Power consumption: 0,35 W
- Improved flow rate characteristics: Up to 2,3 times C[dm<sup>3</sup>/ (s·bar)]: 9,2
- Energy saving: No air flow when the main valve is switched
- Improved adjustability at low speed air supply
- Smaller profile and less work hours due to integrated silencer.

### Standard specifications

|                                        |                                        |
|----------------------------------------|----------------------------------------|
| Body Size                              | 4000                                   |
| Thread                                 | F (G)                                  |
| Port Size                              | 04 (1/2)                               |
| Option                                 | None                                   |
| Rated Voltage                          | 5 (24 VDC)                             |
| Electrical Entry                       | YO (Type Y DIN Terminal w/o Connector) |
| Surge Suppressor                       | None                                   |
| Manual Override                        | B (Push-locking slotted style)         |
| Flow Direction/Pressure Unit           | Flow direction: left to right          |
| Pressure medium                        | Air                                    |
| Maximum temperature of pressure medium | 50 °C                                  |
| Minimum temperature of pressure medium | 0 °C                                   |
| Maximum operating pressure             | 1 MPa                                  |
| Minimum operating pressure             | 0.2 MPa                                |
| Proof pressure                         | 1.5 MPa                                |
| Maximum ambient temperature            | 50 °C                                  |
| Minimum ambient temperature            | 0 °C                                   |
| Approvals                              | CE                                     |

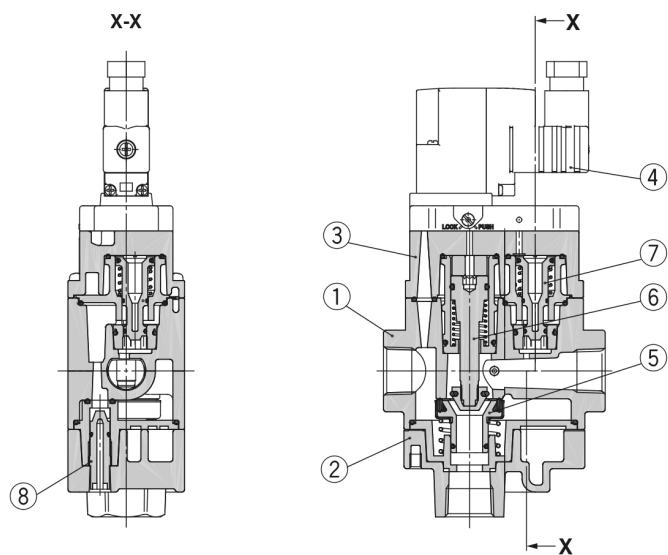
|                                            |                                         |
|--------------------------------------------|-----------------------------------------|
| Protection class with connector            | Dust-protected (DIN terminal: IP65)     |
| Pneumatic input connection                 | G 1/2                                   |
| Pneumatic output connection                | G 1/2                                   |
| Pneumatic exhaust connection               | G 1/2                                   |
| Flow rate                                  | 4945 l/min (ANR)                        |
| Critical pressure ratio                    | 0.32                                    |
| Sonic conductance dm <sup>3</sup> /(s·bar) | 19.2                                    |
| Type of electrical connector               | Type Y (DIN terminal/Without connector) |
| Manual override                            | R 1/4                                   |
| Weight                                     | 0.786 Kg                                |

# Dimensions



# Constructions

## Construction



### Component Parts

| No. | Description  | Material           |
|-----|--------------|--------------------|
| 1   | Body         | Aluminium die-cast |
| 2   | Bottom cover | Aluminium die-cast |
| 3   | Top cover    | Aluminium die-cast |

### Replacement Parts

| No. | Description            | Material              | AV2000-A        | AV3000-A    | AV4000-A    | AV5000-A    |
|-----|------------------------|-----------------------|-----------------|-------------|-------------|-------------|
| 4   | Pilot valve assembly*1 | —                     | See below.      |             | See below.  |             |
| 5   | Valve assembly         | Rubber material: HNBR | AV22P-060AS     |             | AV42P-060AS | AV52P-060AS |
| 6   | Control valve assembly | —                     | AV22P-110AS     |             | AV42P-110AS | AV52P-110AS |
| 7   | Piston assembly        | POM, NBR              | AV22P-120AS     |             | AV42P-120AS | AV52P-120AS |
| 8   | Needle assembly        | POM, NBR              | AV22P-150AS     | AV32P-150AS | AV42P-150AS | AV52P-150AS |
| 9   | Plug assembly          | POM, NBR              | AR22P-320AS-□01 |             |             |             |

## Additional information

|                           |                                                                                        |
|---------------------------|----------------------------------------------------------------------------------------|
| Catalogue                 | <a href="#">AV2-3-4-5000-A-B_EU.pdf</a>                                                |
| Declaration of conformity | <a href="#">newDoC_AV-A_TF1V02EN.pdf</a><br><a href="#">newDoC_AV-A_TF122111EN.pdf</a> |
| Operation manuals         | <a href="#">OM_AVx_OMZ0091EN-E.pdf</a>                                                 |