

D-M9N/M9P/M9B, Solid State Switch, Direct Mounting, Grommet, In-line

D-M9P

Datasheet

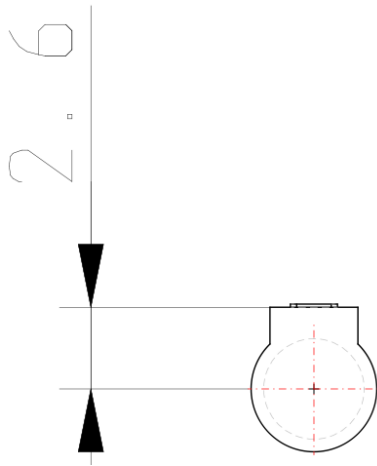
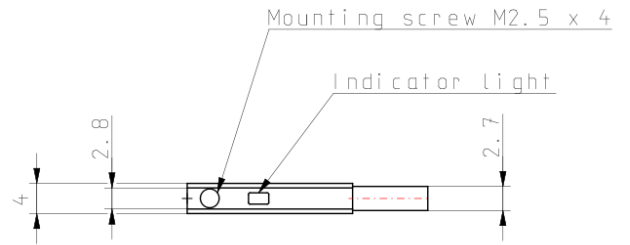
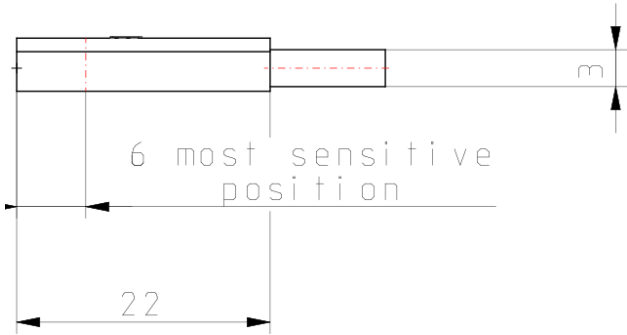
General series information

- Electrical entry: Grommet.
- Application Load: IC circuit/Relay/PLC, 24V DC Relay/PLC.
- Power voltage: 5/12/24V DC (4.5 to 28V DC).
- Load current: 5 to 40mA.

Standard specifications

Model	M9P (3-wire, PNP)
Lead Wire Length	0.5 m
Approvals	CE
Electrical entry direction	In-line
Applicable load	IC circuit, Relay, PLC
Load current	40 mA or less
Internal voltage drop	0.8 V or less at 10 mA (2 V or less at 40 mA)
Wiring type	3-wire
Power supply	5, 12, 24 VDC (4.5 to 28 V)
Output type	PNP
Current consumption	10 mA or less
Leakage current	100 μ A or less at 24 VDC
Weight	0.008 Kg

Dimensions



Additional information

Catalogue	D_EU.pdf
Declaration of conformity	newDoC_D-xS_TF1Y230EN.pdf DoC_D-x_TFG0001-G.pdf newDoC_D-xS_TF1V225EN.pdf
Operation manuals	OM_D-M9xx_OMJ0004EN-G.pdf OM_D-M9xJx_OMS0002EN-B.pdf OM_D-M9xx_OMG0002EN-E.pdf d-m9_op_man_d-_s-omg0002-a.pdf