

MXQ*A-Z, Air Slide Table, Double Ported Type MXQ25A-20Z

Datasheet

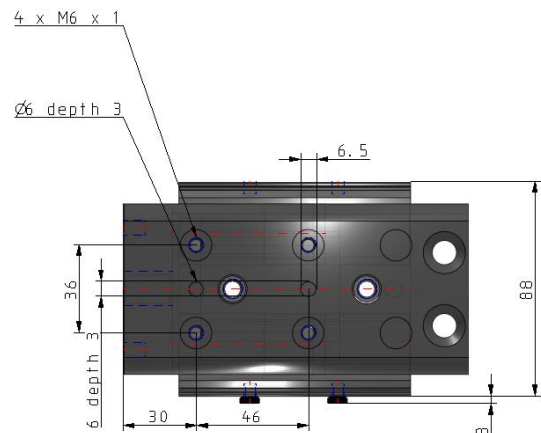
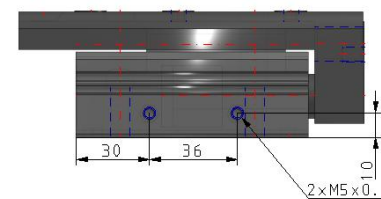
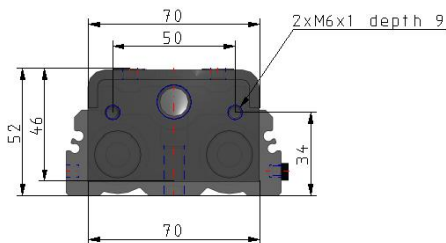
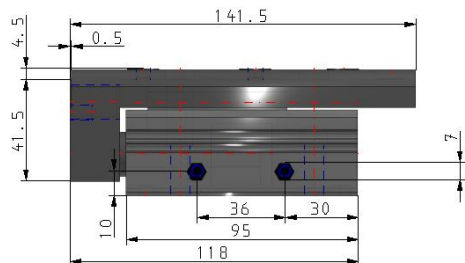
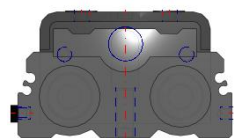
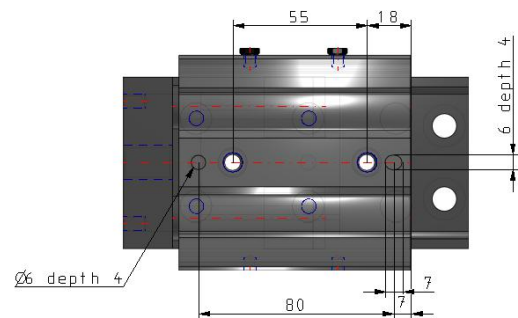
General series information

- More compact: High reduced up to 10%.
- Lighter: Weight reduced up to 35%.
- More flexible: Piping ports and auto switch mounting grooves on both sides.
- Auto switch visibility improved.

Standard specifications

Bore Size	25 mm
Lube-retainer	Without Stable Lubrication Function
Stroke	20 mm
Adjuster Option	Z (Without Adjuster)
Functional Option	Without Functional Option
Auto Switch	No Switch
Lead Wire or Prewired Connector	0.5m (Or None in the Case of No Switch)
Number	2 pcs. (Or None in the Case of No Switch)
Made to Order	None
Pressure medium	Compressed air
Maximum temperature of pressure medium	60 °C
Minimum temperature of pressure medium	-10 °C
Maximum ambient temperature	60 °C
Minimum ambient temperature	-10 °C
Number of pneumatic connections	2 pcs.
Mode of operation of drive	Double acting
Weight	1.400 Kg

Dimensions



Additional information

Catalogue

[MXQ-Z-C_EU.pdf](#)

Operation manuals

[OM_MXQ-Z_OMP0038EN-D.pdf](#)