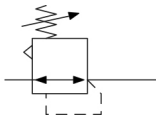


AR20(*)-B to AR60(*)-B, Regulator & Regulator w/Backflow Function AR20-F02-1N-B

Datasheet

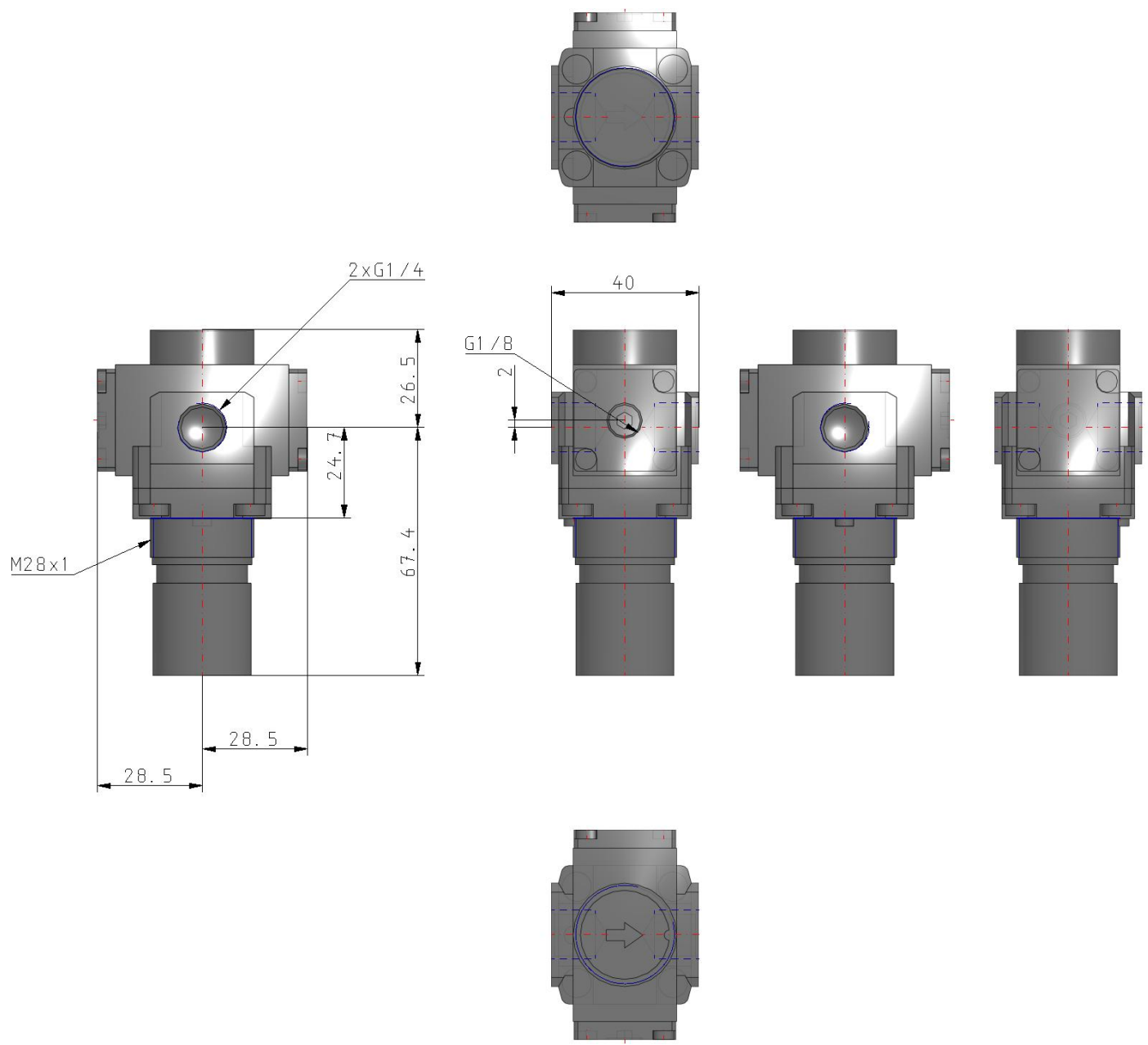


Pressure control valve, relieving pressure regulator, adjustable

Standard specifications

Made to Order 1	None
Body Size	20
Backflow Function	None
Thread	F (G)
Port	02 (1/4)
Option	Standard
Semi-standard	1N (Set Pressure: 0.02 to 0.2 MPa + Exhaust Mechanism, Non-relieving)
Made to Order 2	None
Pressure medium	Air
Maximum temperature of pressure medium	60 °C
Minimum temperature of pressure medium	-5 °C [with no freezing]
Maximum operating pressure	1.0 MPa
Proof pressure	1.5 MPa
Maximum ambient temperature	60 °C
Minimum ambient temperature	-5 °C [with no freezing]
Approvals	No need
Weight	0.163 Kg

Dimensions

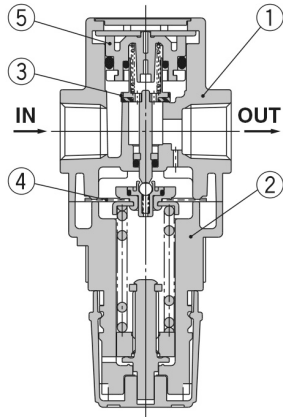


Specifications are subject to change without prior notice and any obligation on the part of the manufacturer.

Constructions

Construction

AR20(K)-B/AR25(K)-B



Component Parts

No.	Description	Material	Model	Colour
1	Body	Zinc die-cast	AR10-A	White
		Aluminium die-cast	AR20(K)-B to AR60(K)-B	
2	Bonnet	Polyacetal	AR10-A	White
		Aluminium die-cast	AR20(K)-B to AR40(K)-B AR50(K)-B/ AR60(K)-B	

Replacement Parts

[AR10-A]

No.	Description	Material	Part no.
3	Valve	HNBR	AR10P-090S
4	Piston assembly	Polyacetal	AR10P-150AS
5	Valve guide assembly	Polyacetal	131329

[AR20(K)-B to AR60(K)-B]

No.	Description	Material	Part no.	
			AR20(K)-B	AR25(K)-B
3	Valve	Brass, HNBR	AR20P-410S	AR25P-410S
4	Diaphragm assembly	Weatherable NBR	AR20P-150AS	AR25P-150AS
5	Valve guide assembly	Polyacetal	AR20P-050AS	AR25P-050AS
6	Check valve assembly ^{*1}	—	AR23KP-020AS	

^{*1} Check valve assembly is applicable for a regulator with backflow function (AR20K-B to AR60K-B) only.
 Assembly of a check valve cover, check valve body assembly and 2 mounting screws

Additional information

Catalogue	AC-B-B_EU.pdf
Installation manuals	IM_ARx_SMV43EN.pdf
Operation manuals	OM_AR-B_OMS0056EN.pdf OM_ARxK-B_OMT0015EN.pdf