

ITV1000/2000/3000, Electro-Pneumatic Regulator ITV1050-31F1N3

Datasheet

- Pressure range: 0.005 to 0.9 MPa
- Maximum flow rate: 4000 l/min (ANR)
- Port sizes: 1/8, 1/4, 3/8, 1/2
- Applicable fieldbus protocols: IO-Link, CC-Link, DeviceNet™, PROFIBUS, RS-232C.

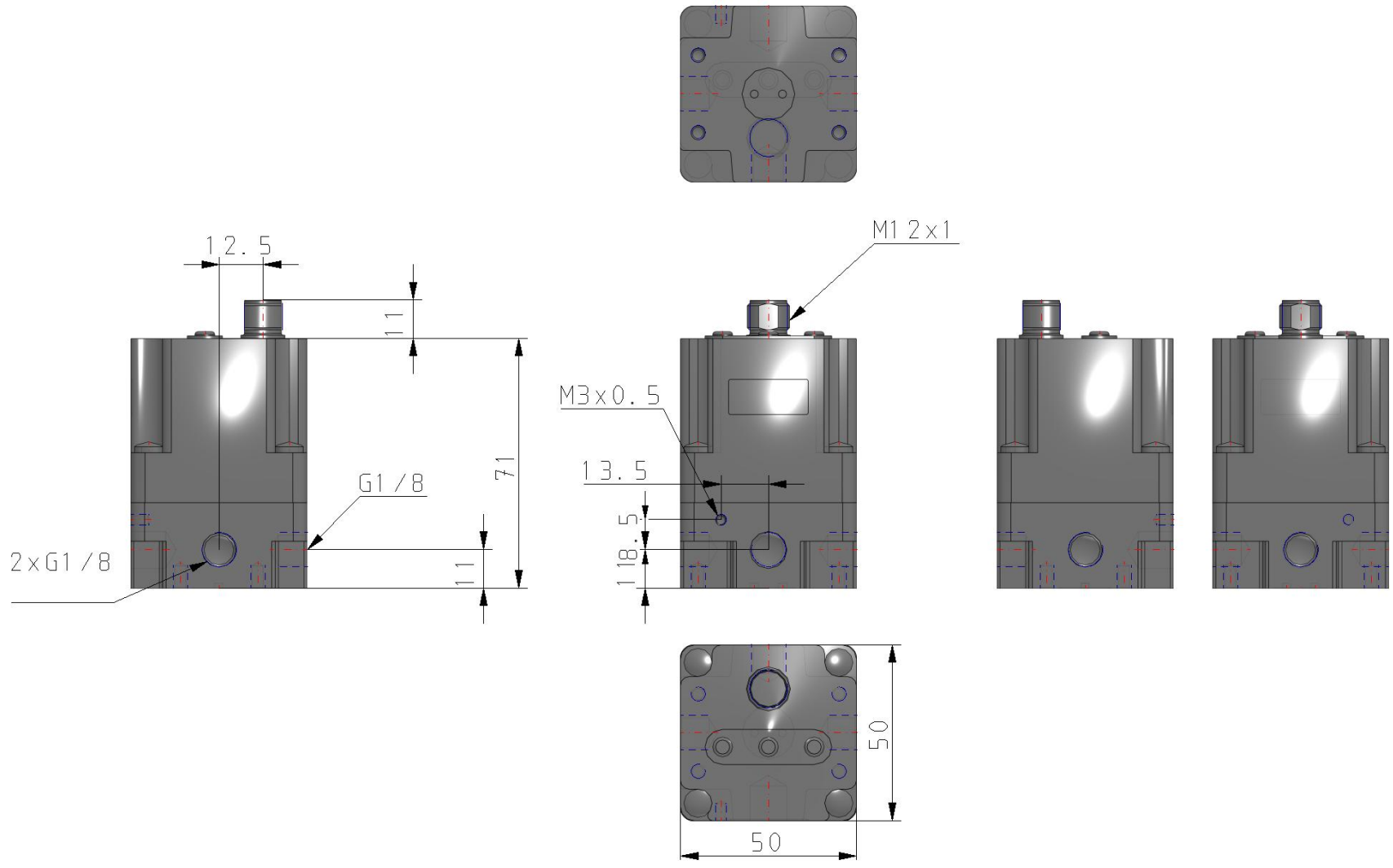
Electro-pneumatic regulator

Standard specifications

| | |
|--|----------------------------|
| Model | 10 (200 L/min [ANR]) |
| Pressure Range | 5 (0.005~0.9MPa) |
| Power Voltage | 0 (24VDC) |
| Input Signal | 3 (Voltage Style 0~10VDC) |
| Monitor Output | 1 (Analogue Output 1~5VDC) |
| Thread | F (G[PF]) |
| Port Size | 1 [1/8 (1000)] |
| Accessory | None |
| Cable Connector | N (w/oCable Connector) |
| Pressure Display Unit | 3 (Bar) |
| Options | None |
| Maximum temperature of pressure medium | 50 °C |
| Minimum temperature of pressure medium | 0 °C |
| Maximum operating pressure | 1.0 MPa |
| Minimum operating pressure | 0.1 MPa |
| Maximum ambient temperature | 50 °C |
| Minimum ambient temperature | 0 °C |
| Approvals | CE |
| Protection class with connector | IP65 |
| Flow rate of secondary exhaust | 200 NI/min |

| | |
|------------------------|---|
| Min. supply pressure | Set pressure +0.1 MPa |
| Accuracy | ±2%F.S. ±1 digit |
| Output signal Analogue | 1 to 5 VDC (Output impedance: Approximately 1 kΩ) Output accuracy within ±6% (Full span) |
| Weight | 0.250 Kg |

Dimensions



Additional information

| | |
|---------------------------|--|
| Catalogue | ITV-G_EU.pdf |
| Declaration of conformity | DoC_ITVx_TF00023-B.pdf newDoC_ITV2000_3000_TF1Y106EN.pdf newDoC_ITV2_TF1Y002EN.pdf newDoC_ITV2000_3000_TF1V093EN.pdf |
| Installation manuals | IM_ITV2-IL-TF2Z014EN.pdf IMM_ITV3000_54GB-A.PDF IM_ITV2-IO_SMY17EN.pdf IMM_ITVx_TF112GB-A.pdf |
| Operation manuals | OM_ITV2_CC-Link_EN-B.pdf OM_ITV2_OM00068EN-C.pdf om_itv000_om005en-e.pdf OM_ITV2_RS-232C_EN.pdf OM_ITV2_DeviceNet_EN-C.pdf OM_ITV2_OM00109EN-C.pdf OM_ITV2_PROFIBUS-DP_EN-A.pdf OM_ITV2_OM00112EN-C.pdf |