

## CP96S(D) ø125, ISO Cylinder, Double Acting with End of Stroke Cushioning CP96SDB125-350

Datasheet

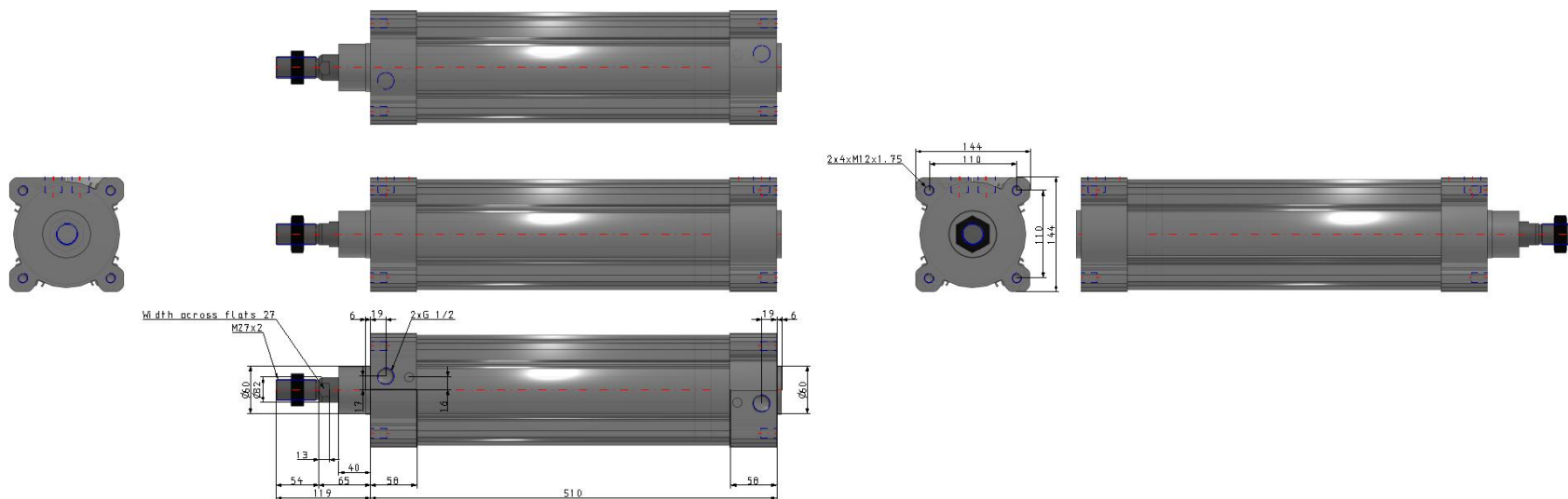
- Double acting, standard type, single or double rod
- Bore sizes (mm): 125
- Maximum stroke 2000mm
- Auto switch capable

### Standard specifications

Magnet	D (Built-in)
Mounting	B (Basic, w/o Bracket)
Bore Size	Ø125
Stroke	350
Rod Boot	None
Rod	Single Rod
Auto Switch	No Switch
Lead Wire or Prewired Connector	0.5m [Or None in the Case of No Switch]
Number	2 pcs. [Or None in the Case of No Switch]
Rod End Options	None
Temperature Resistance	None
Tie Rod	None
Fluororubber Seal	None
Made of Stainless Steel (-XC68)	None
Made of Stainless Steel (-XC65)	None
-	Compressed Air
Maximum operating pressure	1.0 MPa
Minimum operating pressure	0.05 MPa
Proof pressure	1.5 MPa
Pneumatic input connection	G 1/2

Pneumatic output connection	G 1/2
Maximum piston speed	700 mm/s
Type of cushioning	Both Ends (Air Cushion)
Piston rod end	Male thread
Male thread of rod end	M27 x 2
Weight	12.758 Kg

# Dimensions



## Additional information

Catalogue

[CP96-Bb\\_EU.pdf](#)