

## AV2000/3000/4000/5000-A, Soft Start-up Valve

### AV4000-F04-5YOC-A

## Datasheet

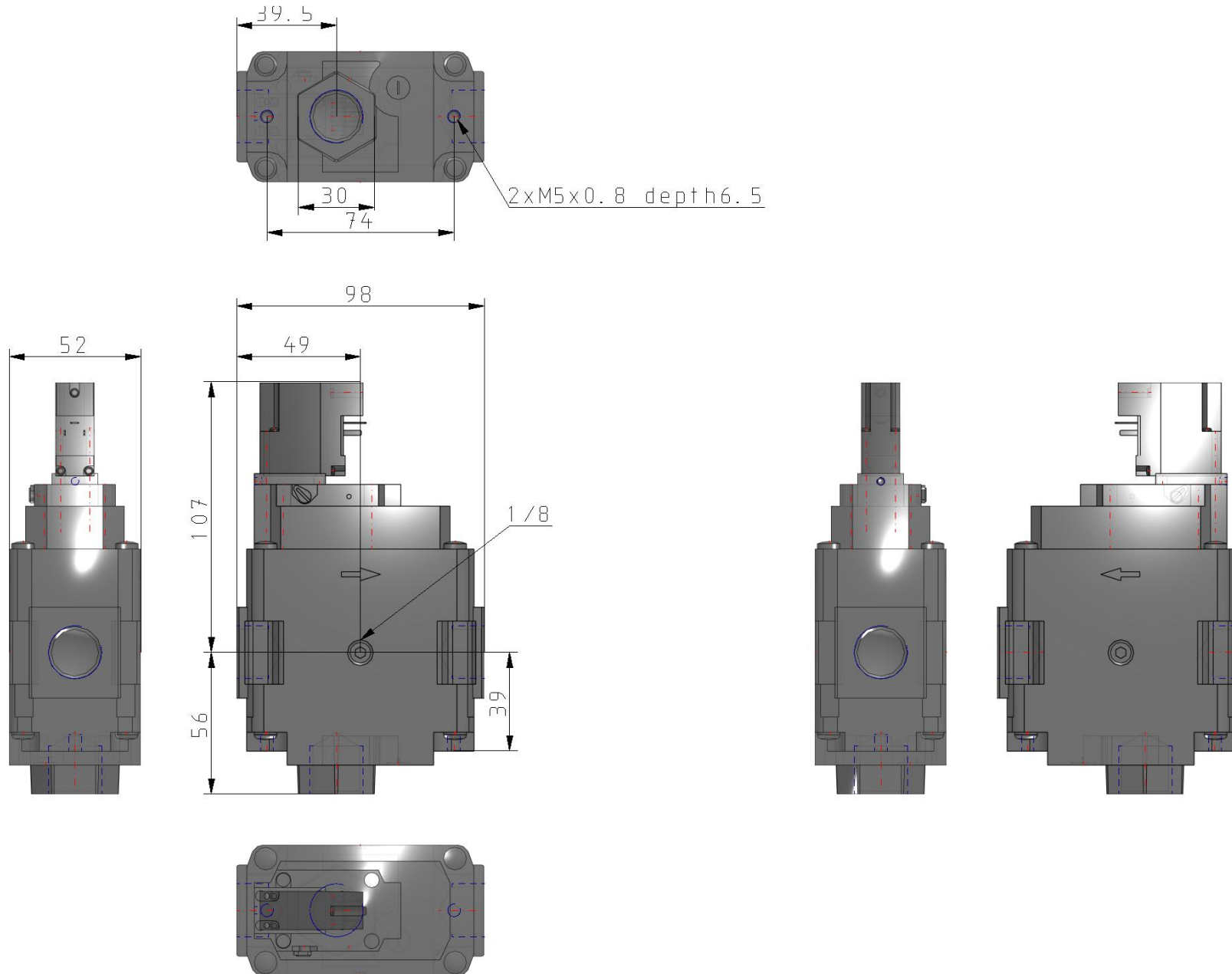
- Power consumption: 0,35 W
- Improved flow rate characteristics: Up to 2,3 times  $C[\text{dm}^3/(\text{s}\cdot\text{bar})]$ : 9,2
- Energy saving: No air flow when the main valve is switched
- Improved adjustability at low speed air supply
- Smaller profile and less work hours due to integrated silencer.

### Standard specifications

Body Size	4000
Thread	F (G)
Port Size	04 (1/2)
Option	None
Rated Voltage	5 (24 VDC)
Electrical Entry	YO (Type Y DIN Terminal w/o Connector)
Surge Suppressor	None
Manual Override	C (Push-locking lever style)
Flow Direction/Pressure Unit	Flow direction: left to right
Pressure medium	Air
Maximum temperature of pressure medium	50 °C
Minimum temperature of pressure medium	0 °C
Maximum operating pressure	1 MPa
Minimum operating pressure	0.2 MPa
Proof pressure	1.5 MPa
Maximum ambient temperature	50 °C
Minimum ambient temperature	0 °C
Approvals	CE
Protection class with connector	Dust-protected (DIN terminal: IP65)

Pneumatic input connection	G 1/2
Pneumatic output connection	G 1/2
Pneumatic exhaust connection	G 1/2
Flow rate	4945 l/min (ANR)
Critical pressure ratio	0.32
Sonic conductance dm <sup>3</sup> /(s·bar)	19.2
Type of electrical connector	Type Y (DIN terminal/Without connector)
Manual override	Push-turn locking lever type
Weight	0.786 Kg

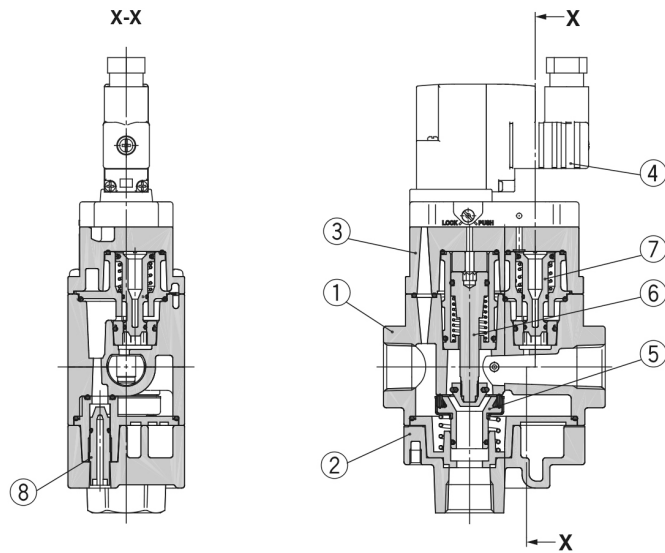
# Dimensions



Specifications are subject to change without prior notice and any obligation on the part of the manufacturer.

# Constructions

## Construction



### Component Parts

No.	Description	Material
1	Body	Aluminium die-cast
2	Bottom cover	Aluminium die-cast
3	Top cover	Aluminium die-cast

### Replacement Parts

No.	Description	Material	AV2000-A	AV3000-A	AV4000-A	AV5000-A
4	Pilot valve assembly*1	—	See below.		See below.	
5	Valve assembly	Rubber material: HNBR	AV22P-060AS		AV42P-060AS	AV52P-060AS
6	Control valve assembly	—	AV22P-110AS		AV42P-110AS	AV52P-110AS
7	Piston assembly	POM, NBR	AV22P-120AS		AV42P-120AS	AV52P-120AS
8	Needle assembly	POM, NBR	AV22P-150AS	AV32P-150AS	AV42P-150AS	AV52P-150AS
9	Plug assembly	POM, NBR	AR22P-320AS-□01			

## Additional information

Catalogue	<a href="#">AV2-3-4-5000-A-A_EU.pdf</a>
Declaration of conformity	<a href="#">newDoC_AV-A_TF1V02EN.pdf</a> <a href="#">newDoC_AV-A_TF1Z006EN.pdf</a>
Installation manuals	<a href="#">IM_AV-A_SMU70EN-A.pdf</a>