

## C(D)QM (ø40 to ø100), Compact Cylinder, Guide Rod Type CDQMB40TF-20

Datasheet

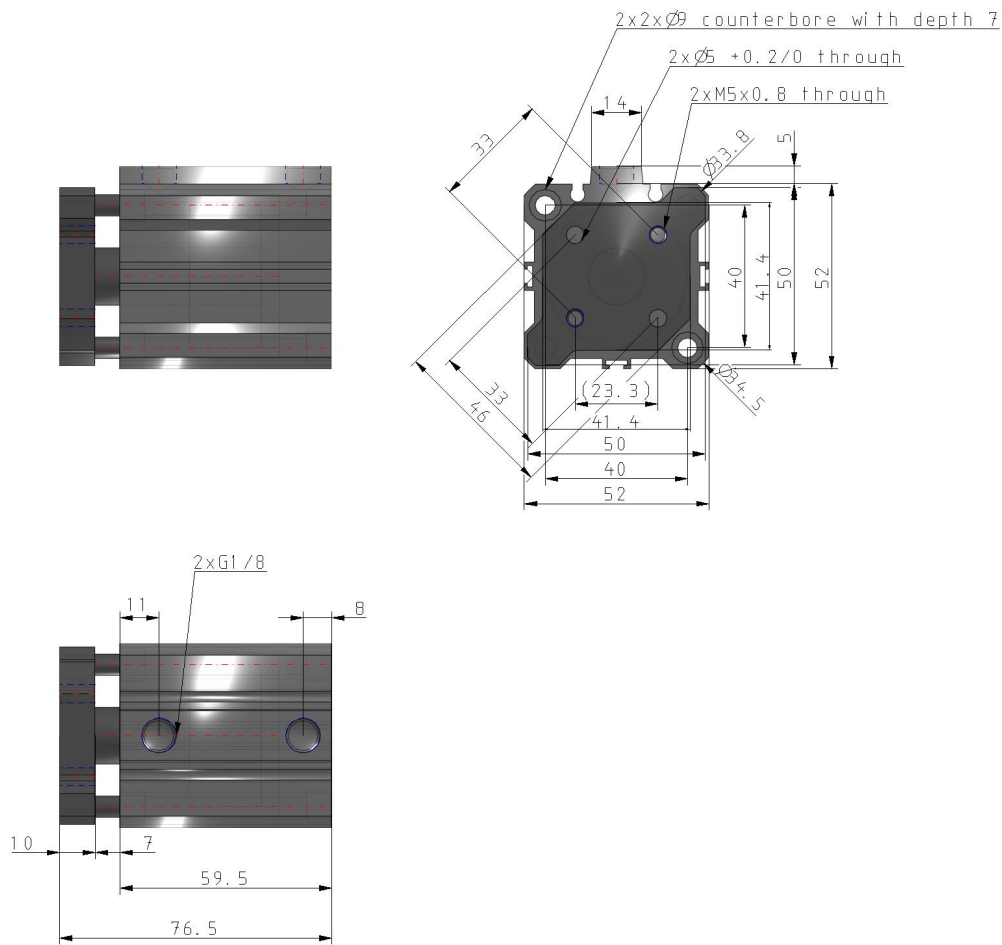
### General series information

- Guide rod type compact cylinder
- Bore sizes (mm): 40, 50, 63, 80, 100
- Standard strokes (mm): 5 to 100
- 4 times the lateral load resistance of the CQ2K
- Non-rotating accuracy 0.2 or less

### Standard specifications

|                                 |   |
|---------------------------------|---|
| Magnet                          | D (Built-in)                              |
| Mounting                        | B [Through Hole (Standard)]               |
| Bore Size                       | Ø40 mm                                    |
| Port Thread                     | TF [G]                                    |
| Stroke                          | 20 mm                                     |
| Auto Switch                     | No Switch                                 |
| Lead Wire or Prewired Connector | 0.5 m (Or None in the Case of No Switch)  |
| Number                          | 2 pcs. (Or None in the Case of No Switch) |
| Pressure medium                 | Compressed air                            |
| Number of pneumatic connections | 2 pcs.                                    |
| Weight                          | 0.421 Kg                                  |

## Dimensions



## Additional information

Catalogue

[CQM\\_EU.pdf](#)

Operation manuals

[cqm\\_op\\_manual\\_cqm\\_-om0001c.pdf](#)