

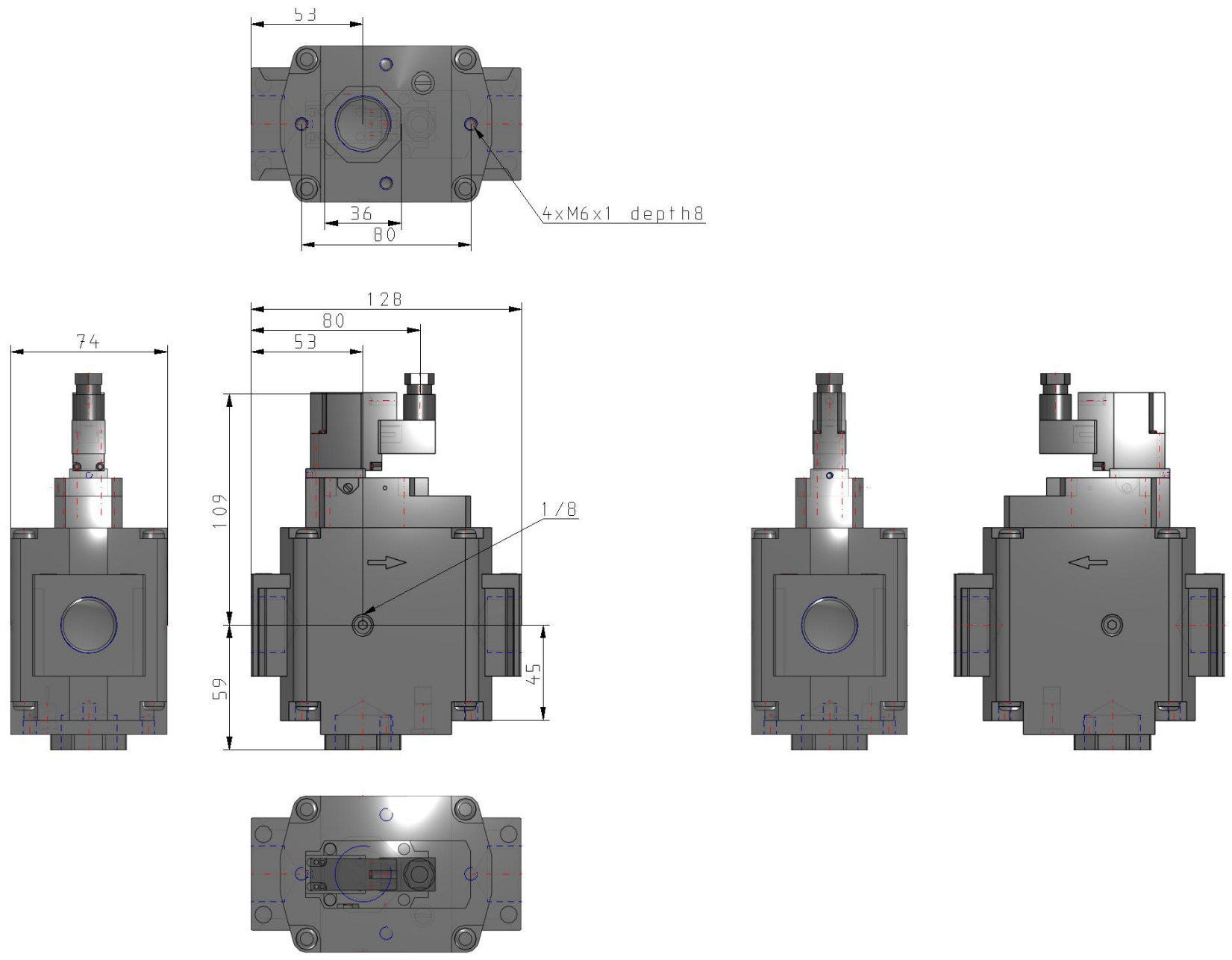
AV2000/3000/4000/5000-A, Soft Start-up Valve

AV5000-F06-5YZB-A

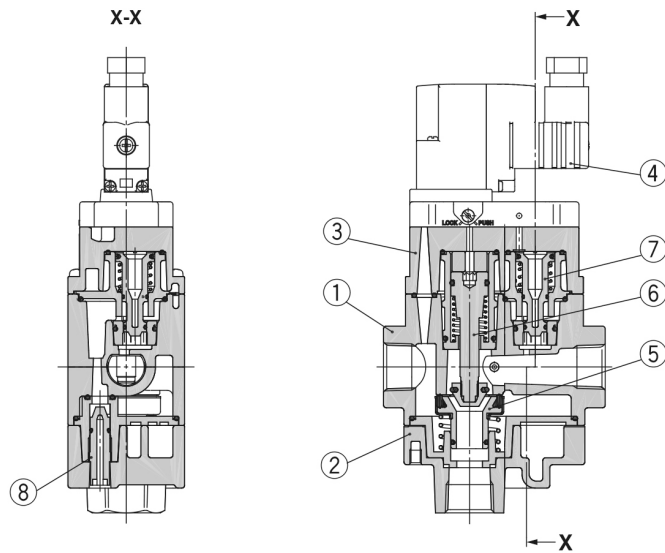
- Power consumption: 0,35 W
- Improved flow rate characteristics: Up to 2,3 times $C[\text{dm}^3/(\text{s}\cdot\text{bar})]$: 9,2
- Energy saving: No air flow when the main valve is switched
- Improved adjustability at low speed air supply
- Smaller profile and less work hours due to integrated silencer.

Body Size	5000
Thread	F (G)
Port Size	06 (3/4)
Option	None
Rated Voltage	5 (24 VDC)
Electrical Entry	Y (Type Y, DIN Terminal w/Connector)
Surge Suppressor	Z (With light/surge voltage suppressor)
Manual Override	B (Push-locking slotted style)
Flow Direction/Pressure Unit	Flow direction: left to right
-	Air
Maximum operating pressure	1 MPa
Minimum operating pressure	0.2 MPa
Proof pressure	1.5 MPa
Pneumatic input connection	G 3/4
Pneumatic output connection	G 3/4
Pneumatic exhaust connection	G 3/4
Flow rate	11908 l/min (ANR)
Critical pressure ratio	0.66
Sonic conductance $\text{dm}^3/(\text{s}\cdot\text{bar})$	34.8

Type of electrical connector	Type Y (DIN terminal/With connector)
Manual override	R 1/4
Weight	1.201 Kg



Construction



Component Parts

No.	Description	Material
1	Body	Aluminium die-cast
2	Bottom cover	Aluminium die-cast
3	Top cover	Aluminium die-cast

Replacement Parts

No.	Description	Material	AV2000-A	AV3000-A	AV4000-A	AV5000-A
4	Pilot valve assembly*1	—	See below.		See below.	
5	Valve assembly	Rubber material: HNBR	AV22P-060AS		AV42P-060AS	AV52P-060AS
6	Control valve assembly	—	AV22P-110AS		AV42P-110AS	AV52P-110AS
7	Piston assembly	POM, NBR	AV22P-120AS		AV42P-120AS	AV52P-120AS
8	Needle assembly	POM, NBR	AV22P-150AS	AV32P-150AS	AV42P-150AS	AV52P-150AS
9	Plug assembly	POM, NBR	AR22P-320AS-□01			

-

-

[AV2-3-4-5000-A-A_EU.pdf](#)

-

[newDoC_AV-A_TF1V02EN.pdf](#)

[newDoC_AV-A_TF1Z006EN.pdf](#)

-

[IM_AV-A_SMU70EN-A.pdf](#)