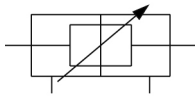


MXJ, Miniature High Precision Slide Table (ø4.5, ø6, ø8) MXJ8-20

Datasheet

General series information

- Strokes up to 20 mm.
- Front and top mounting.
- Travelling parallelism: 0.005 mm.
- Clean room specification available.
- Operating pressure range: 0.15 to 0.7 MPa.



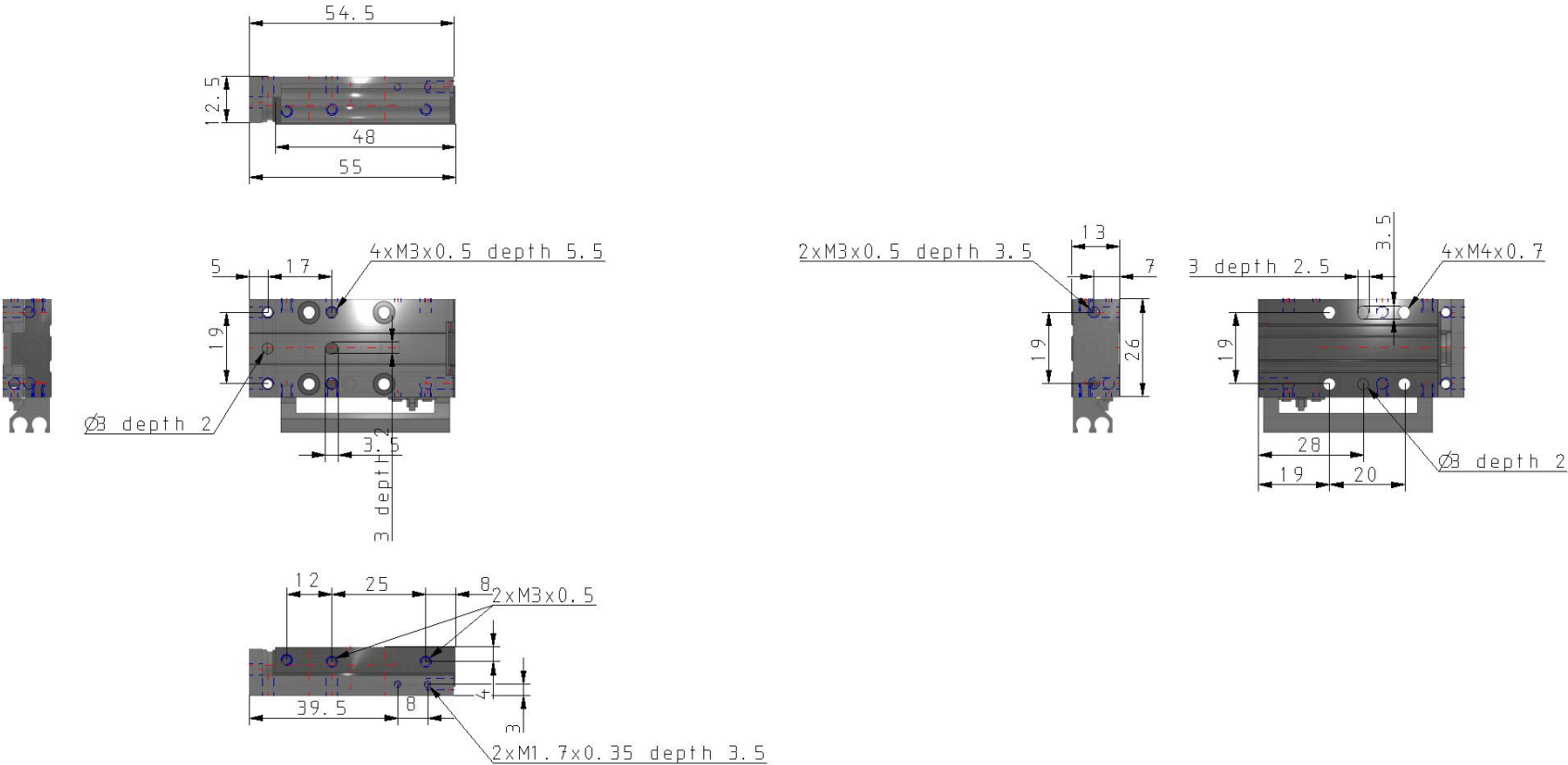
Double-acting cylinder with cushioning adjustable at both ends, double piston rod

Standard specifications

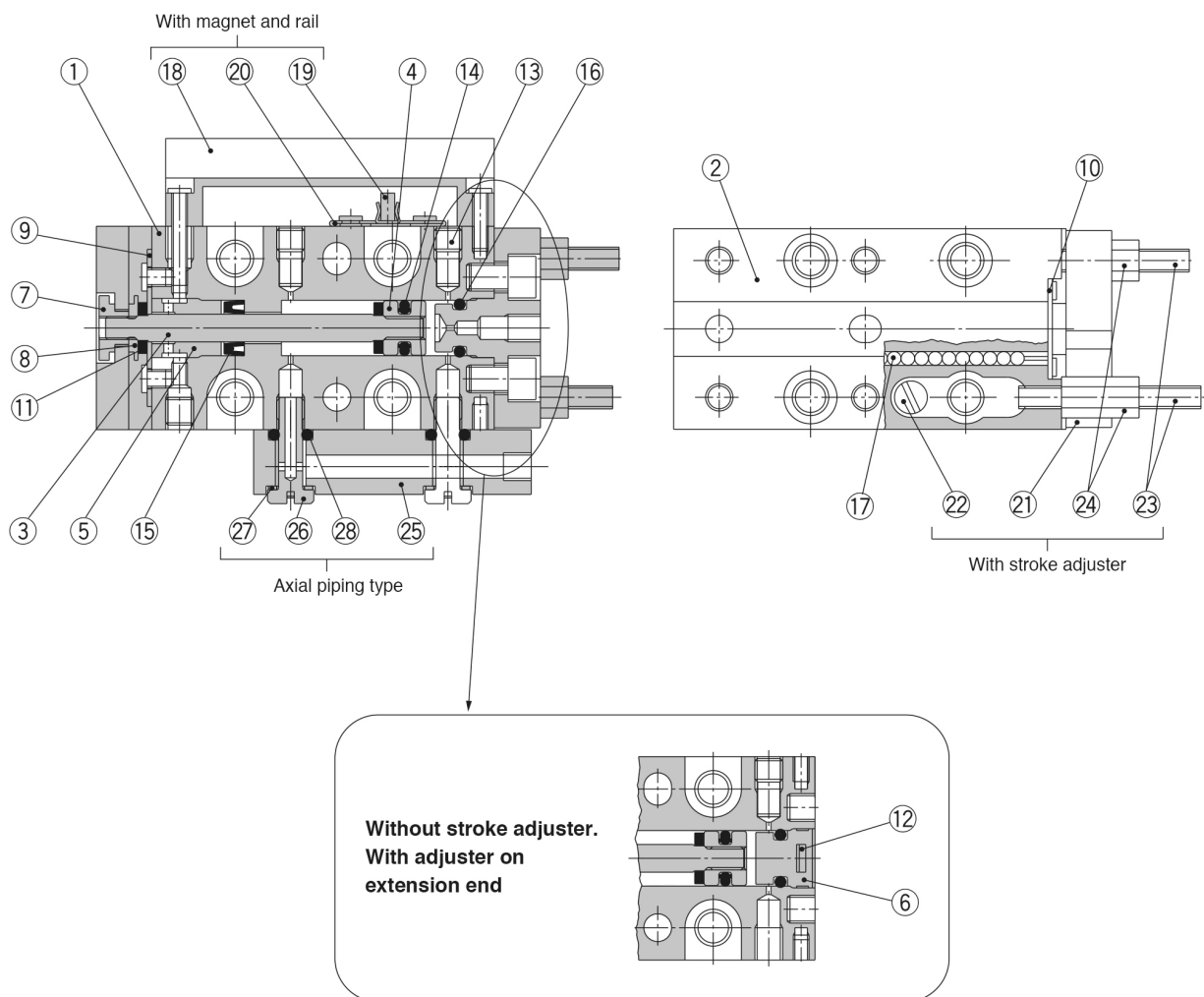
| Specification | Standard Type |
|--|--|
| Bore Size | 8mm |
| Symmetric Type | Standard |
| Stroke | 20mm |
| Adjuster | w/o Adjuster |
| Function | w/o Axial Piping |
| Switch Rail | w/Magnet & Switch Rail |
| Auto Switch | No Switch |
| Lead Wire or Prewired Connector | 05 M (Or None in the Case of No Auto Switch) |
| Number | 2 pcs. (Or None in the Case of No Switch) |
| Maximum operating pressure | 0.7 MPa |
| Minimum operating pressure | 0.15 MPa |
| Proof pressure | 1.05 MPa |
| Maximum ambient temperature | 60 °C |
| Minimum ambient temperature | -10 °C |
| Conform to the European RoHS Directive | Conform |
| Maximum piston speed | 500 mm/s |
| Minimum piston speed | 50 mm/s |

| | |
|-------------------------|---------------|
| Port size | M3 |
| Lubrication | Non-Lube |
| Circulating fluid | Air |
| Stroke length tolerance | + 1~0 mm |
| Action | Double Acting |
| Weight | 0.080 Kg |

Dimensions



Constructions



Component Parts

| No. | Description | Material | Note |
|-----|--------------------|--|---------------------------|
| 1 | Body | Martensitic stainless steel ^{Note)} | Heat treated |
| 2 | Table | Martensitic stainless steel ^{Note)} | Heat treated |
| 3 | Rod | Stainless steel | |
| 4 | Piston | Brass | Electroless nickel plated |
| 5 | Rod cover | Resin | |
| 6 | Head cap | Resin | |
| 7 | Floating bushing A | Stainless steel | |
| 8 | Floating bushing B | Stainless steel | |
| 9 | Roller stopper A | Stainless steel | |
| 10 | Roller stopper B | Stainless steel | |
| 11 | Rod bumper | Polyurethane | |
| 12 | Plate | Stainless steel | |
| 13 | Plug | Steel + Fluorine | Nickel plated |
| 14 | Piston seal | NBR | |
| 15 | Rod seal | NBR | |
| 16 | O-ring | NBR | |
| 17 | Steel balls | High carbon chrome bearing steel | |

Note) Use caution because the martensitic stainless steel is inferior in corrosiveness when compared with austenitic stainless steel.

Additional information

Catalogue

[MXJ-B_EU.pdf](#)