

## ZP2V, Vacuum Saving Valve ZP2V-B5-07

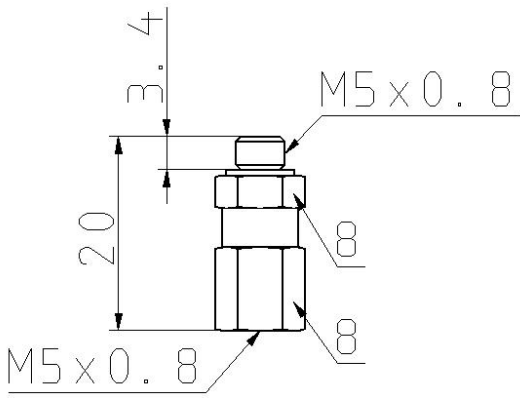
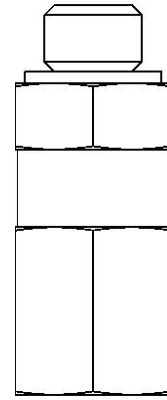
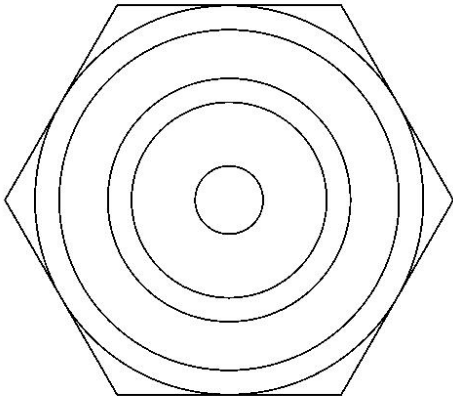
### Datasheet

- Connection thread size for the pad: M5, M6, M8, R1/8, G1/8, NPT1/8
- Fixed orifice size (mm): 0.3, 0.5, 0.7, 1.0
- Maximum operating pressure range (MPa): 0 to 0.7
- Ambient and fluid temperature (°C): 5 to 60 (No freezing)
- Element nominal filtration rating (µm): 40

### Standard specifications

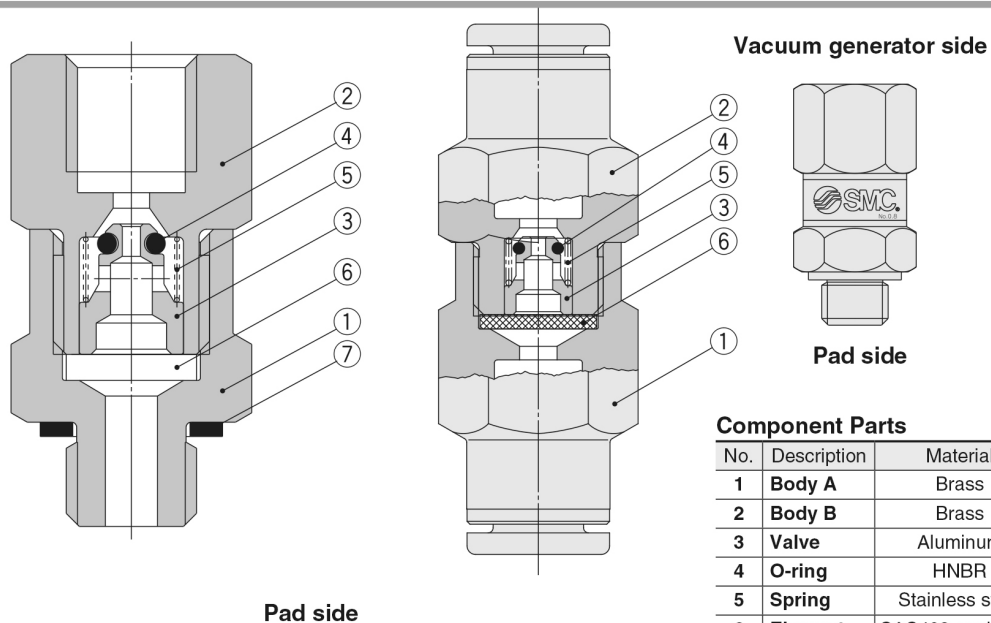
Connection thread size for the pad	B5 (M5, Female)
Orifice Size	07 (0.7 mm)
Pressure medium	Air
Maximum temperature of pressure medium	60 °C
Minimum temperature of pressure medium	5 °C (No freezing)
Maximum operating pressure	0.7 MPa
Minimum operating pressure	-100 kPa
Maximum ambient temperature	60 °C
Minimum ambient temperature	5 °C (No freezing)
Pneumatic input connection	Female M5 x 0.8
Pneumatic output connection	Male M5 x 0.8
Flow rate	144 l/min (ANR)
Element nominal filtration rating	40 µm
Weight	0.007 Kg

## Dimensions



# Constructions

## Construction



### Component Parts

No.	Description	Material	Surface treatment
1	Body A	Brass	Electroless nickel plating
2	Body B	Brass	Electroless nickel plating
3	Valve	Aluminum	—
4	O-ring	HNBR	—
5	Spring	Stainless steel	—
6	Element	CAC403 equivalent	—
7	Gasket	NBR + Stainless steel	—

## Additional information

Catalogue

[ZP2V-B\\_EU.pdf](#)