

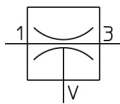
## ZH-A, Vacuum Ejector, Box Style/Body Ported Style, Metric

### ZH10DSA-06-01-08

Datasheet

### General series information

- One-touch fittings: Ø 6, 8, 10 and 12 mm. Screw-in connections: 1/8" to 1/2" (Rc/G).

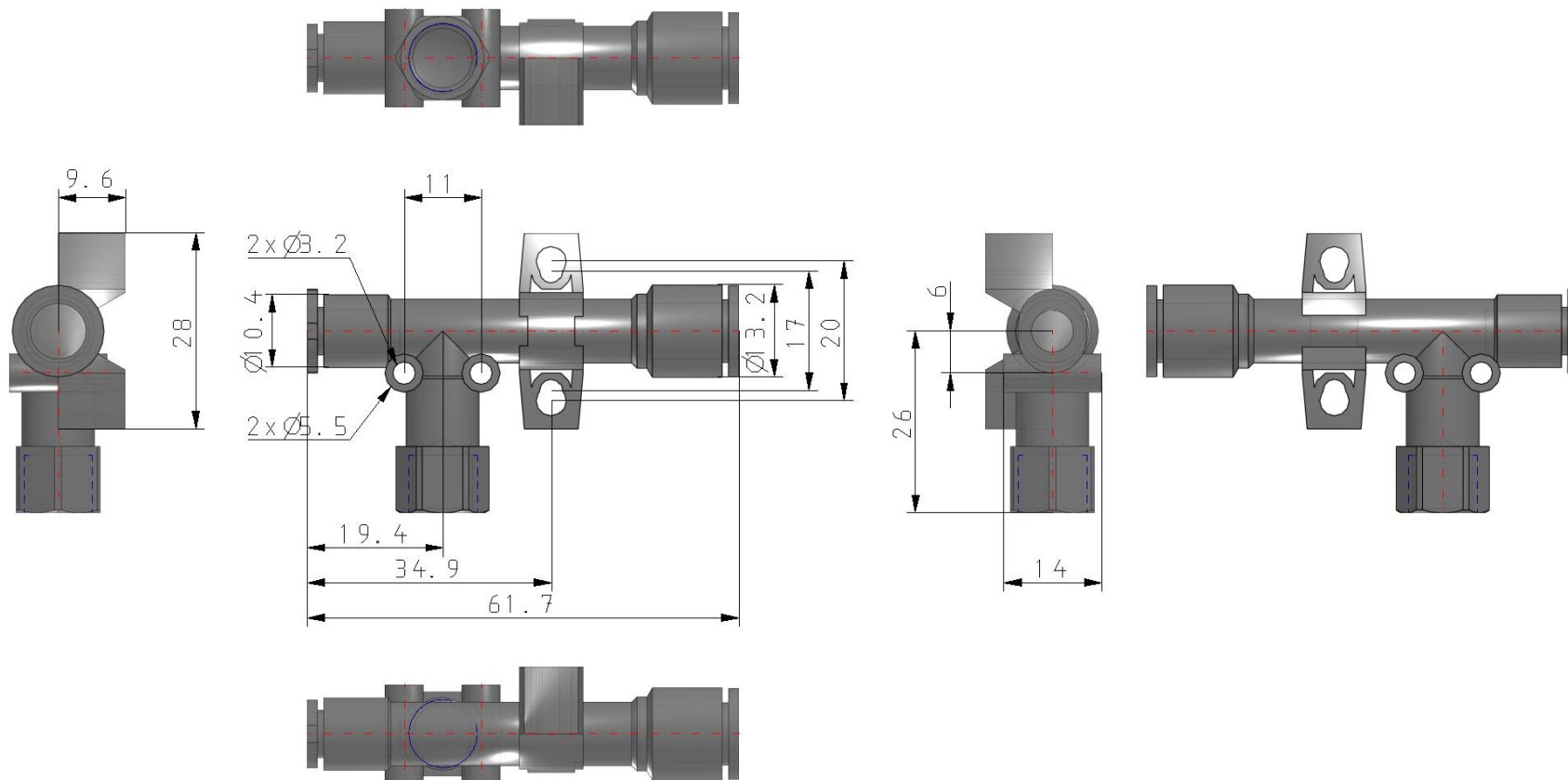


Vacuum ejector

### Standard specifications

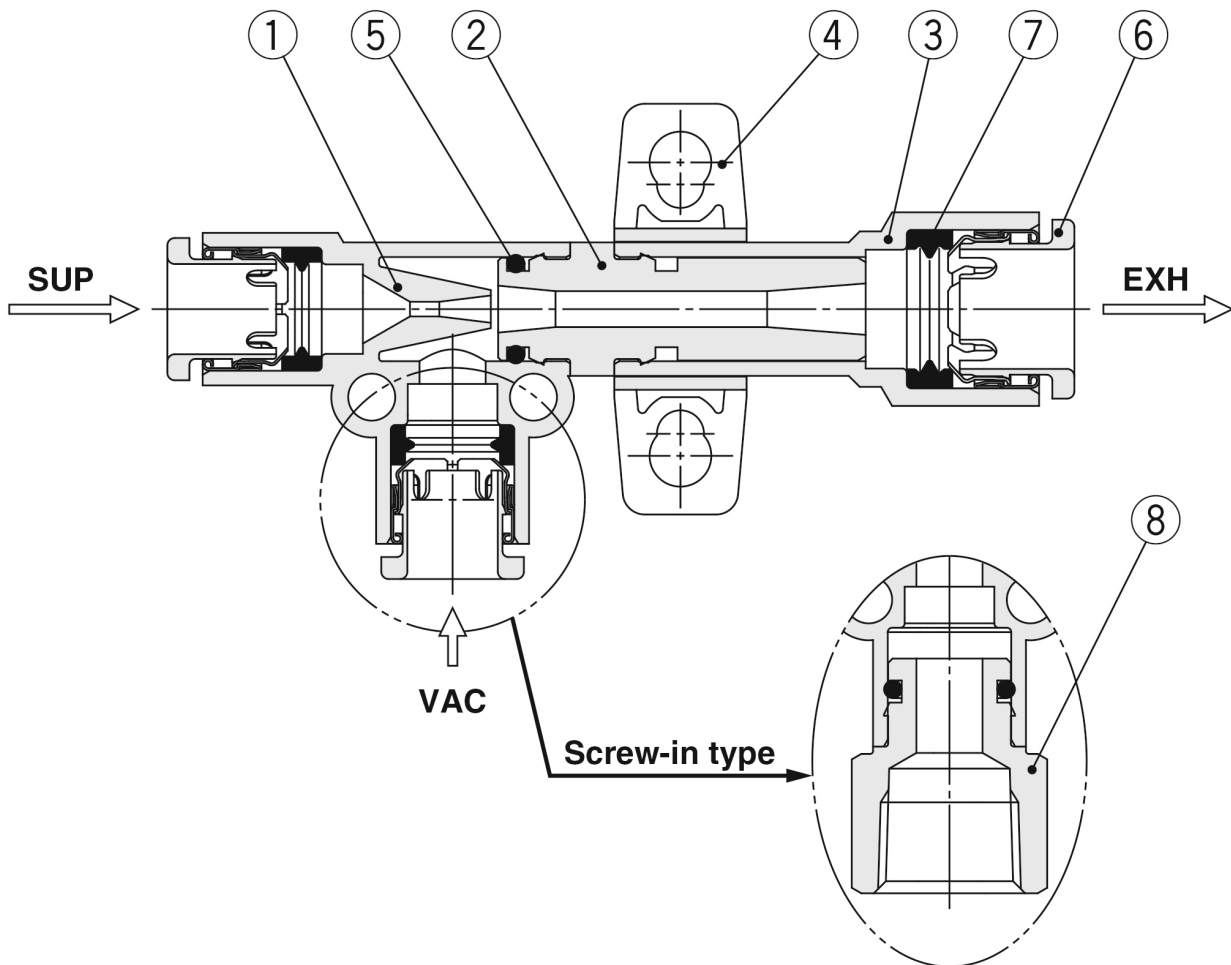
Nozzle Diameter	10 (Ø 1.0 mm)
Model	D (Body Ported Style)
Vacuum Pressure	S [-90 kPa; -89 kPa (Box Style)]
Port SUP.	06 (One-touch Fitting Ø6 mm)
Port VAC.	01 (Rc 1/8)
Port EXH.	08 (One-touch Fitting Ø8)
Accessories	W/ Bracket - W/o Silencer (or None in the Case of Box Style)
Pressure medium	Air
Maximum temperature of pressure medium	50 °C
Minimum temperature of pressure medium	-5 °C
Maximum ambient temperature	50 °C
Minimum ambient temperature	-5 °C
Pneumatic input connection	One-touch Ø 8
Pneumatic exhaust connection	One-touch Ø 8
Flow rate	26 l/min (ANR)
Usable tubing material	Nylon;Soft nylon;Polyurethane
Pneumatic vacuum connection	One-touch Ø 6
Maximum Vacuum	-90 kPa
Nozzle nominal size [mm]	1.0 mm
Weight	0.014 Kg

# Dimensions



## Constructions

### Body ported type



### Component Parts

No.	Description	Material	Note
1	<b>Body</b>	PBT	
2	<b>Diffuser</b>	PPS	Type S: Brown, Type L: Black
3	<b>Adapter</b>	PBT	
4	<b>Standard bracket</b>	PBT	Detachable (Accessory)
5	<b>O-ring</b>	NBR	Grease applied
6	<b>Cassette</b>	—	
7	<b>Seal</b>	NBR	Grease applied
8	<b>Screw-in stud</b>	Brass	Electroless nickel plating

## Additional information

Catalogue	<a href="#">ZH-C_EU.pdf</a>
Operation manuals	<a href="#">OM_ZH_OM00401EN.pdf</a>