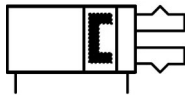


Long stroke - MHS3 MHS3-50D

Datasheet

General series information

- Maximum gripping force 1320 N at 0.5 MPa
- Double acting
- Repeatability: ± 0.01 mm
- Max. operating frequency: 120 c.p.m.

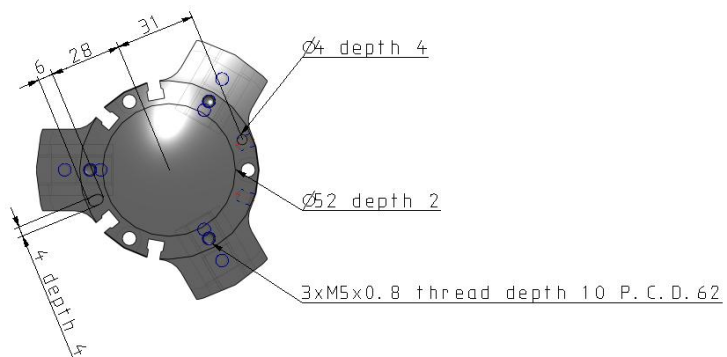
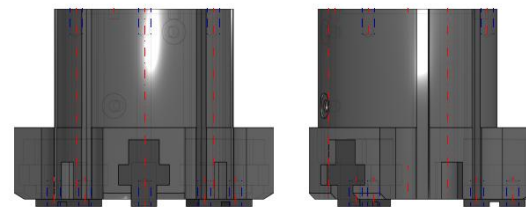
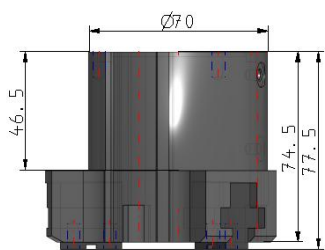
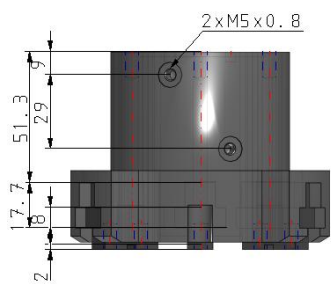
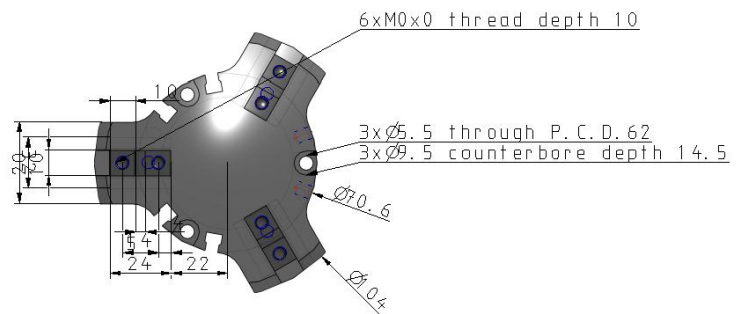


Gripper, internal grip, double-acting with permanent magnet on piston

Standard specifications

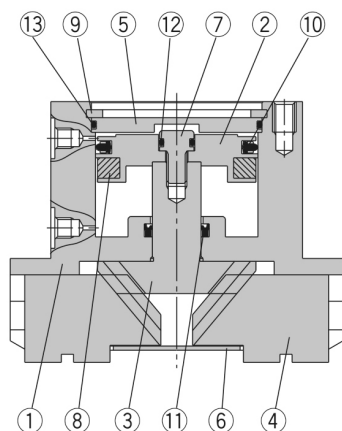
Bore Size	50mm
Thread Type	Rc: 80-125 Bore; M Thread 16 to 63 Bore
Auto Switch	No Switch
Lead Wire or Prewired Connector	0.5m (Or None in the Case of No Switch)
Number	2 pcs (Or None in the Case of No Switch)
Special Specifications	None
Maximum operating pressure	0.6 MPa
Minimum operating pressure	0.1 MPa
Maximum ambient temperature	60 °C
Minimum ambient temperature	-10 °C
Repeatability	± 0.01 mm
Lubrication	Non-lube
Effective holding force per finger, external (0.5 MPa)	187 N
Effective holding force per finger, internal (0.5 MPa)	204 N
Maximum operating frequency	60 c.p.m.
Fluid	Air
Action	Double Acting
Stroke per gripper jaw	28 mm
Weight	0.930 Kg

Dimensions

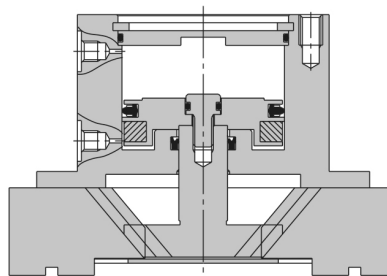


Constructions

Closed condition



Open condition



Parts list

No.	Description	Material	Note
1	Body	Aluminum alloy	Hard anodized
2	Piston	Aluminum alloy	Hard anodized
3	Cam	Carbon steel	Heat treated, Specially treated
4	Finger	Carbon steel	Heat treated, Specially treated
5	Cap	Aluminum alloy	Hard anodized
6	End plate	Stainless steel	
7	Piston bolt	Stainless steel	

No.	Description	Material	Note
8	Rubber magnet	Synthetic rubber	
9	C type snap ring	Carbon steel	Nickel plated
10	Piston seal	NBR	
11	Rod seal	NBR	
12	Gasket	NBR	
13	Gasket	NBR	

Additional information

Catalogue

[MHS_EU.pdf](#)

Operation manuals

[OM_MHSL3_OME0055EN.pdf](#)