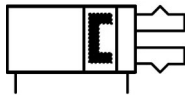


## Original design - MHL2 MHL2-25D1

### Datasheet

### General series information

- Maximum gripping force per finger 396 N at 0.5 MPa
- Double acting
- Repeatability:  $\pm 0.1$  mm
- Max. operating frequency: 60 c.p.m.

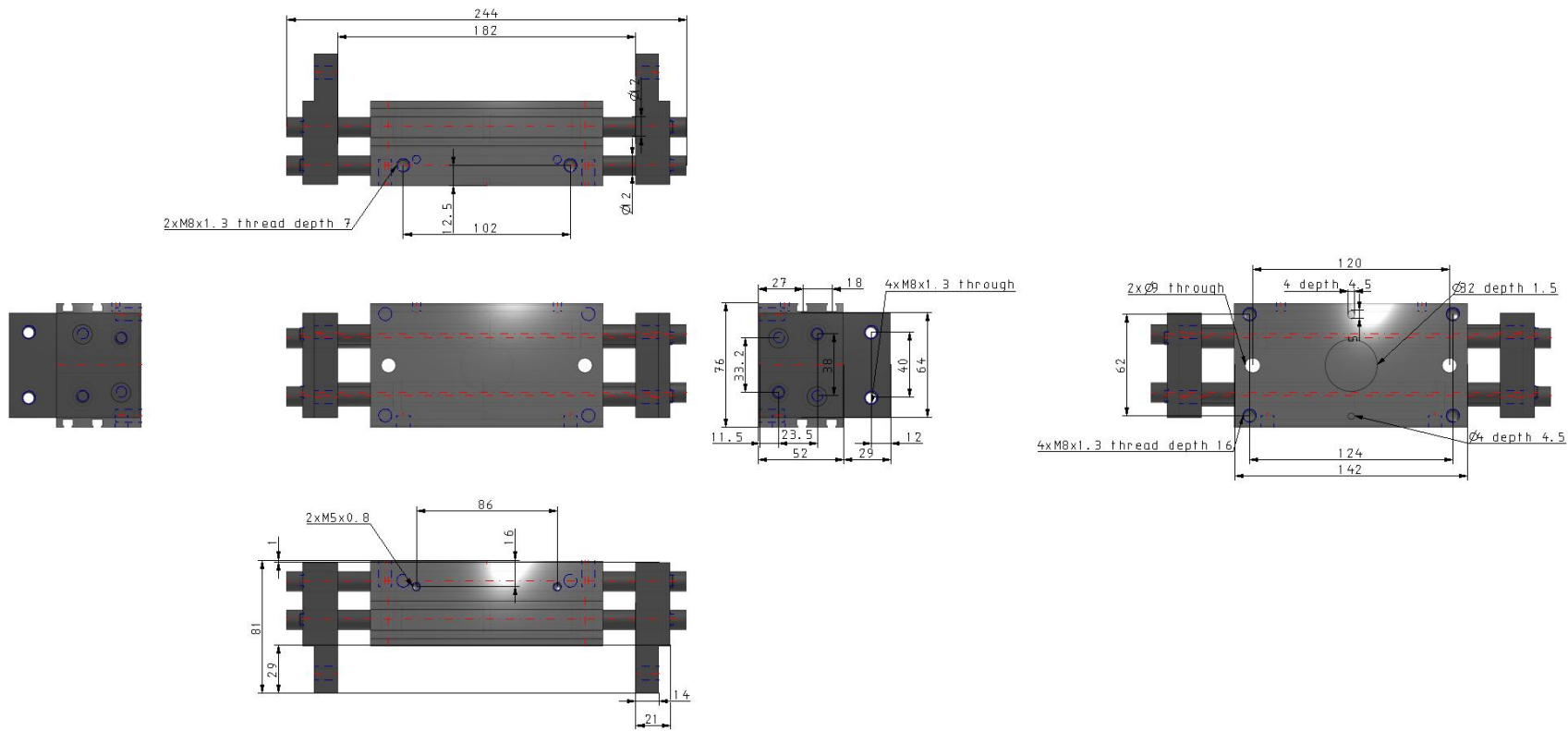


*Gripper, internal grip, double-acting with permanent magnet on piston*

### Standard specifications

Bore Size	25mm
Thread	(M5 Thread-10~25mm)(Rc-32~40mm)
Opening & Closing Stroke	1 (Wide Opening)
Auto Switch	No Switch
Lead Wire or Prewired Connector	0.5m (Or None in the Case of No Switch)
Number	2 pcs. (Or None in the Case of No Switch)
Maximum operating pressure	0.6 MPa
Minimum operating pressure	0.1 Mpa
Maximum ambient temperature	60 °C
Minimum ambient temperature	-10 °C
Repeatability	$\pm 0.1$ mm
Lubrication	Not required
Effective holding force per finger (0.5 MPa)	131 N
Fluid	Air
Max. operating frequency	40 c.p.m.
Action	Double Acting
Gripping point distance	40 mm
Weight	2.560 Kg

# Dimensions



Specifications are subject to change without prior notice and any obligation on the part of the manufacturer.

## Additional information

Catalogue

[MHL2\\_EU.pdf](#)

Operation manuals

[OM\\_MHL2\\_OMC0028EN.pdf](#)