

## KK\*P-\*H, S-Couplers, Straight Type with One-touch Fitting KK4P-10H

Datasheet

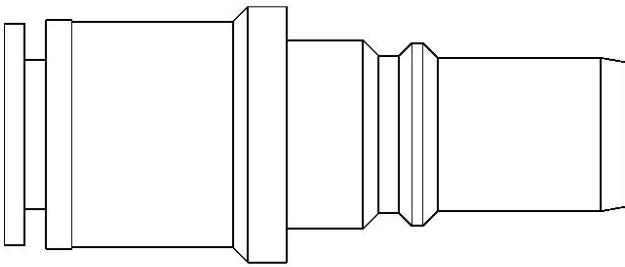
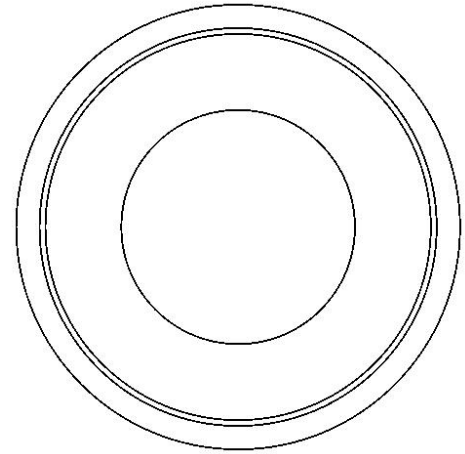
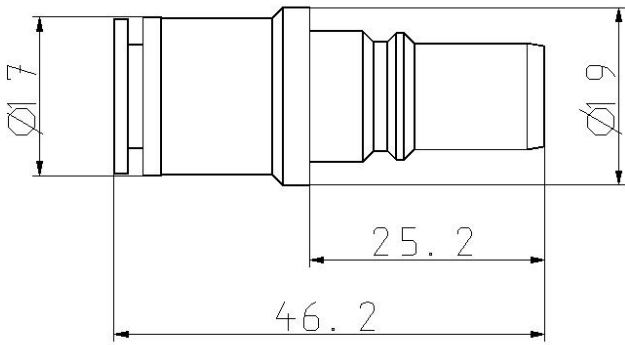
### General series information

- Straight Type with One-touch Fitting.
- Body size: M5, 1/8, 1/4, 1/2.
- Applicable Tubing O.D.:  $\varnothing$ 3.2,  $\varnothing$ 4,  $\varnothing$ 6,  $\varnothing$ 8,  $\varnothing$ 10,  $\varnothing$ 12,  $\varnothing$ 16.

### Standard specifications

Body Size	4 (1/4)
Applicable Tubing O.D.	$\varnothing$ 10 mm
Pressure medium	Air, Water
Maximum operating pressure	1.0 MPa
Minimum operating pressure	0 kPa
Proof pressure	1.5 MPa
Maximum ambient temperature	60 °C / 40 °C for Water
Minimum ambient temperature	-5 °C (with no freezing) / 5 °C for Water
Effective Area	39 mm <sup>2</sup>
Sealing principle	Electroless nickel plated (copper-free application), With male thread sealant
Weight	0.027 Kg

## Dimensions



## Additional information

Catalogue

[KK-C\\_EU.pdf](#)