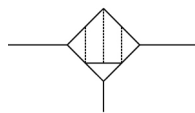


## AFD20-D to AFD40-D, Micro Mist Separator AFD40-F06-D

Datasheet

### General series information

- ISO 8573-1:2010 compliant
- Nominal filtration rating 0.01 µm
- Maximum flow rate up to 600 l/min (ANR, 0.7MPa).



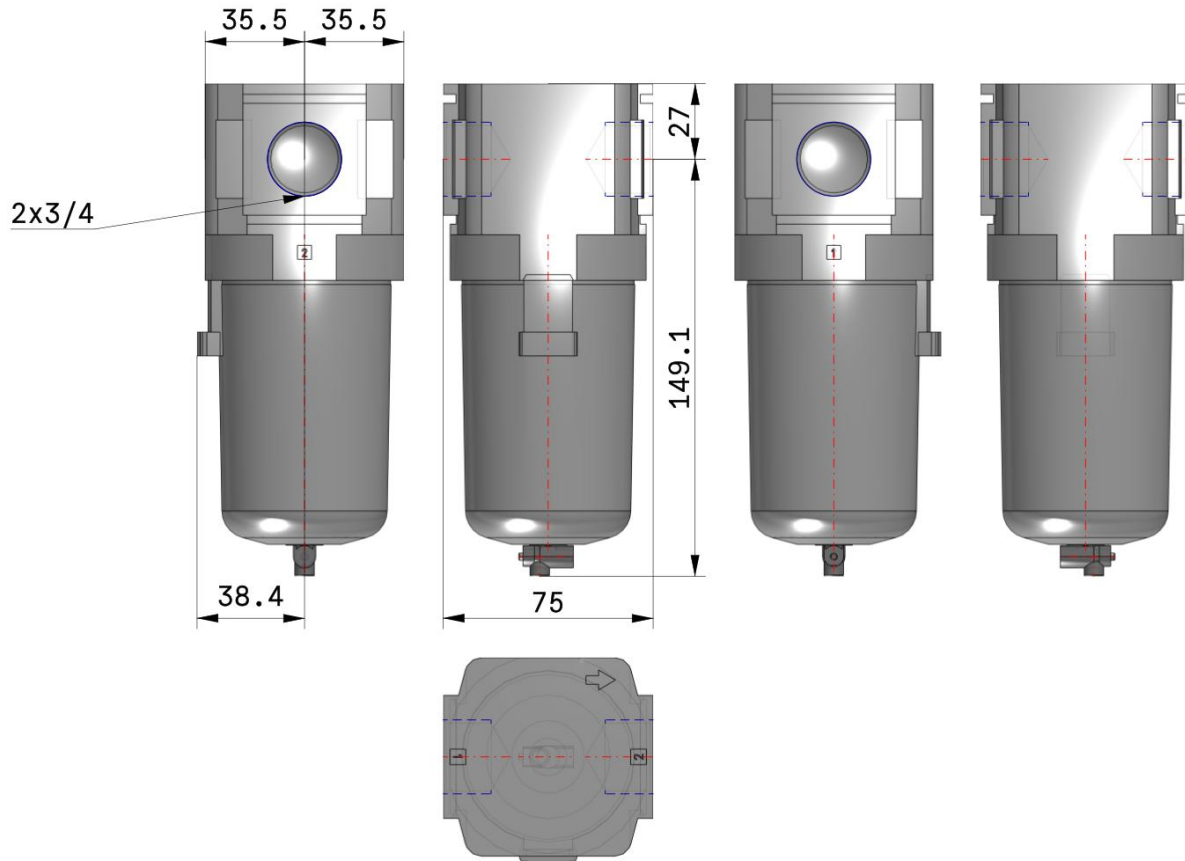
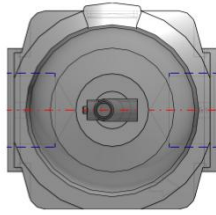
Mist separator

### Standard specifications

Body Size	40
Thread	F (G)
Port Size	06 (3/4)
Mounting	Standard
Float type auto drain	Without Auto drain
Bowl type	Standard (Polycarbonate Bowl)
Drain Port	Standard
Indicator	w/o Indicator
Flow Direction	Left to Right
Drain Cock w/Barb Fitting	None
Pressure Unit	Name Plate and Pressure Gauge: MPa
Air purity class	[1:7:2]
Pressure medium	Air
Maximum temperature of pressure medium	60 °C
Minimum temperature of pressure medium	-5 °C (with no freezing)
Maximum operating pressure	1.0 MPa
Minimum operating pressure	0.05 MPa
Proof pressure	1.5 MPa
Maximum ambient temperature	60 °C
Minimum ambient temperature	-5 °C (with no freezing)

Conform to the European RoHS Directive	Conform
Bowl Material	Polycarbonate
Bowl Guard	Polycarbonate
Drain Capacity	45 cm <sup>3</sup>
Element nominal filtration rating	0.01 μm
ISO 8573 compliant	Yes
Max. Flow rate (inlet pressure = 1.0 MPa)	820 l/min
Weight	0.403 Kg

# Dimensions



Specifications are subject to change without prior notice and any obligation on the part of the manufacturer.

## Additional information

Catalogue

[ACD-D\\_EU.pdf](#)

Operation manuals

[OM\\_AFD-D\\_OMX0054EN-D.pdf](#)