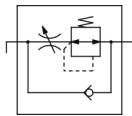


With Pressure Reduction Function - AS-R AS22R-G01-08

Datasheet

General series information

- For maximum reduction of air consumption, this product should be used together with the AS-Q series
- Port Size: 1/8, 1/4, 3/8, 1/2
- Applicable Tubing O.D.: Ø 6 to Ø 12 mm and Ø 1/4" to Ø 1/2"
- Operating Pressure Range: 0.3 to 0.7 MPa.

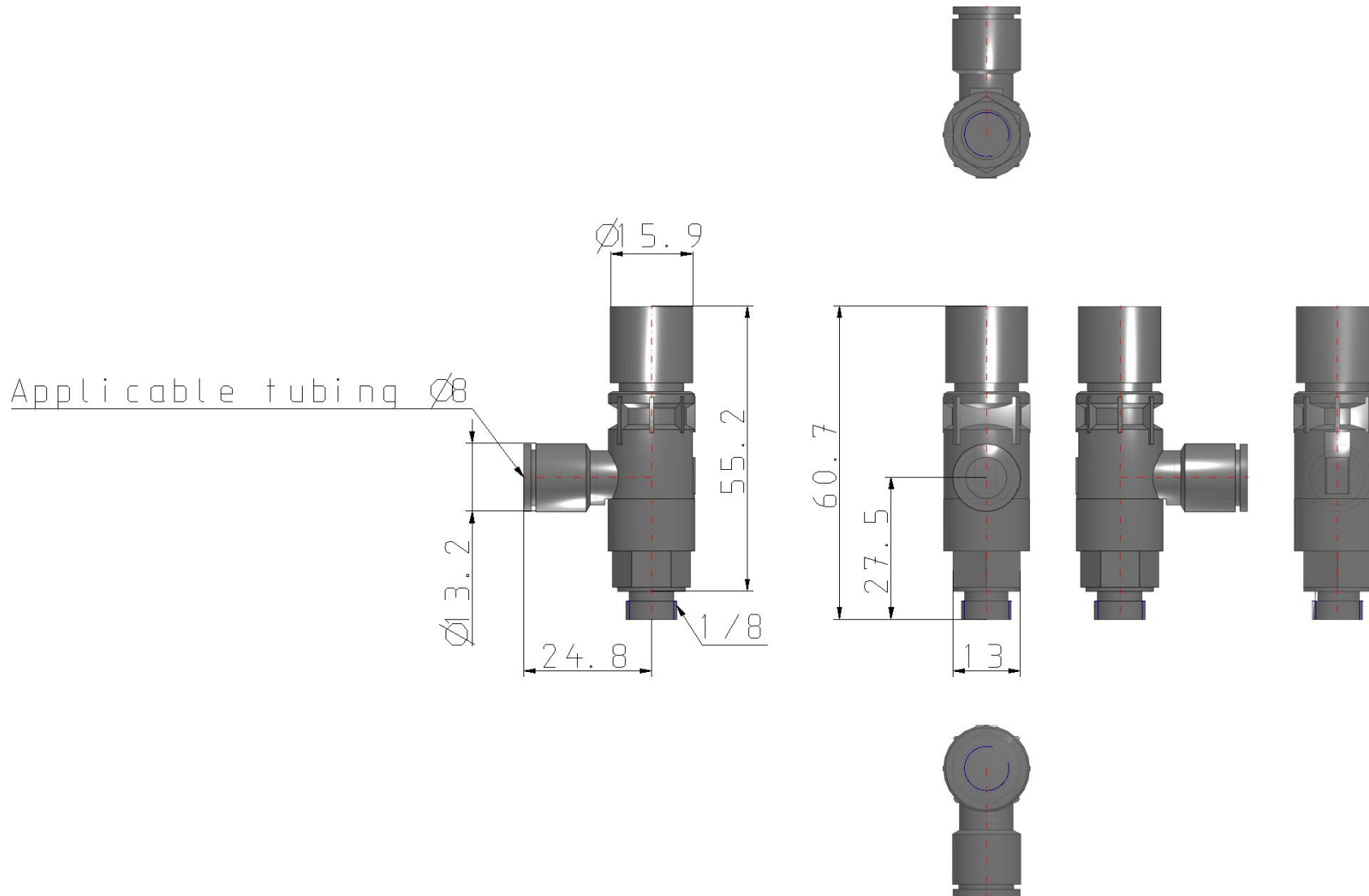


*Energy Saving flow control valve, adjustable,
with reverse free flow, integrated regulator*

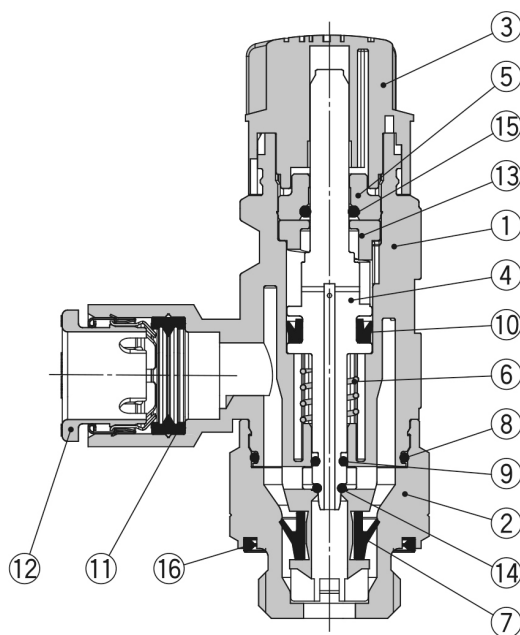
Standard specifications

Body Size	2 (1/4 Standard)
Thread Type	G (G)
Port Size	01 (1/8)
Applicable Tubing O.D.	08 (ø 8)
Pressure medium	Air
Maximum operating pressure	0.7 MPa
Minimum operating pressure	0.3 MPa
Proof pressure	1.05 MPa
Maximum ambient temperature	60 °C
Minimum ambient temperature	-5 °C
Set pressure (supply pressure at 0.5 MPa)	0.2 MPa
Applicable tubing material	Nylon, Soft nylon, Polyurethane, FEP, PFA
Weight	0.028 Kg

Dimensions



Constructions



Component Parts

No.	Description	Material	Note
1	Body A	PBT	
2	Body B	Brass	Electroless nickel plating
3	Knob	POM	
4	Needle	POM	
5	End cover	Brass	Electroless nickel plating
6	Spring	Steel wire	
7	U-seal	HNBR	
8	O-ring	NBR	
9	Needle O-ring	NBR	
10	Y-seal	NBR	
11	Seal for fitting	NBR	
12	Cassette	—	
13	Stator	POM	
14	Valve O-ring	HNBR	
15	Shaft O-ring	NBR	
16	Seal	NBR	

Additional information

Catalogue

[AS-R_AS-Q-C_EU.pdf](#)