

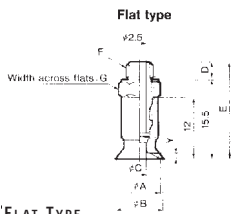
ZPT VACUUM PADS
VERTICAL ENTRY WITHOUT BUFFER

TECHNICAL
SPECIFICATIONS

Vacuum entry	Vertical type		
Mounting	Use connection for vacuum entry		
Pad type	Flat type	Flat with rib	Deep type
Pad dia. (mm)	2, 4, 6, 8, 10, 13, 16, 20, 25, 32, 40, 50	10, 13, 16, 20, 25, 32, 40, 50	10, 16, 25, 40
Material (colour)	NBR (Black)		
Hardness	50° shore		



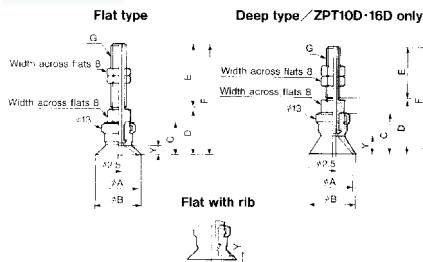
DIMENSIONS
PAD DIAMETERS Ø2, Ø4, Ø6, Ø8



FLAT TYPE

Model	ØA	ØB	ØC	F:M5x0.8			F:M6x1			Y
				D	E	G	D	E	G	
ZPT02U	2	2.6	1.2	3	19	7	4	20	8	0.8
ZPT04U	4	4.8	1.6							
ZPT06U	6	7	2.5							
ZPT08U	8	9	2.5							

DIMENSIONS
PAD DIAMETERS Ø10, Ø13, Ø16



FLAT TYPE - FLAT WITH RIB

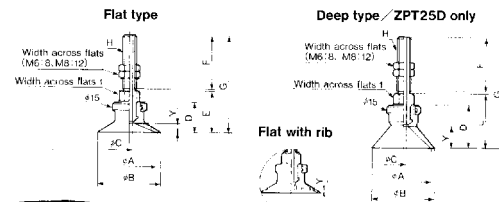
Model	ØA	ØB	C	D	G:M5x0.8		G:M6x1		Y	
					E	F	E	F	Flat	Flat with rib
ZPT10U	10	12	12	17	20	38	25	43	3	1.7
ZPT13U	13	15	12	17	20	38	25	43	3	1.8
ZPT16U	16	18	12.5	17.5	20	38.5	25	43.5	3.5	1.2

DEEP TYPE

Model	ØA	ØB	C	D	G:M5x0.8		G:M6x1		Y
					E	F	E	F	
ZPT10D	10	12	15	20	20	41	25	46	6
ZPT16D	16	18	16	21	20	42	25	47	7

FOR FURTHER TECHNICAL
DETAILS ON THIS
PRODUCT REQUEST
CATALOGUE REFERENCE
E807

DIMENSIONS
PAD DIAMETERS Ø20, Ø25, Ø32



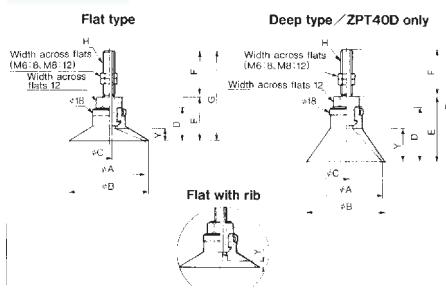
FLAT TYPE - FLAT WITH RIB

Model	ØA	ØB	D	H : M6x1					H : M8x1					Y	
				ØC	E	F	G	I	ØC	E	F	G	I	Flat	Flat with rib
ZPT20U	20	23	14	3	19	25	45	8	3.5	24	15	40	12	4	1.7
ZPT25U	25	28	14	3	19	25	45	8	3.5	24	15	40	12	4	1.8
ZPT32U	32	35	14.5	3	19.5	25	45	8	3.5	24.5	15	40.5	12	4.5	2.3

DEEP TYPE

Model	ØA	ØB	D	H:M6x1					H:M8x1					Y
				ØA	E	F	G	I	ØC	E	F	G	I	
ZPT25D	25	28	20	3	25.5	25	51	8	3.5	30.5	15	46	12	10

DIMENSIONS
PAD DIAMETERS Ø40, Ø50



FLAT TYPE - FLAT WITH RIB

Model	ØA	ØB	D	E	H:M6x1			H:M8x1			Y	
					ØC	F	G	ØC	F	G	Flat	Flat with rib
ZPT40U	40	43	18.5	24.5	3	15	50.5	4.5	15	40.5	6.5	3.3
ZPT50U	50	53	19.5	25.5	3	15	51.5	4.5	15	41.5	7.5	3.8

DEEP TYPE

Model	ØA	ØB	D	E	H:M6x1			H:M8x1			Y
					ØC	F	G	ØC	F	G	
ZPT40D	40	43	29	35.5	3	25	61	4.5	15	51	17

HOW TO
ORDER
SEE NEXT PAGE

HOW TO ORDER

ZPT PAD VERTICAL TYPE WITHOUT BUFFER



PAD DIAMETER

- 02 ...Ø2
- 04 ...Ø4
- 06 ...Ø6
- 08 ...Ø8
- 10 ...Ø10
- 13 ...Ø13
- 16 ...Ø16
- 20 ...Ø20
- 25 ...Ø25
- 32 ...Ø32
- 40 ...Ø40
- 50 ...Ø50

PAD MATERIAL

- NNitrile rubber (standard)
- SSilicon rubber
- UUrethane
- FFluorine rubber
- GN ...Anti-static Nitrile rubber
- GS ...Anti-static Silicon rubber

PAD TYPE

- UFlat
- CFlat with Rib (Not ø2,4,6,8)
- DDeep (ø10,16,25,40)
- BBellows (Not ø2,4)

VACUUM ENTRY (ALSO MOUNTING THREAD DIA)

	Symbol	Thread dia.	Ø2-Ø8	Ø10-Ø16	Ø20-Ø32	Ø40-Ø50
Male thread	A5	M5X0.8	•	•		
	A6	M6X1	•	•	•	•
	A8	M8X1			•	•

STOCKED PRODUCTS
FOR A LIST OF STOCKED PRODUCTS, PLEASE SEE THE CURRENT SMC PRICE LIST

ZPT VACUUM PADS VERTICAL ENTRY WITH BUFFER



TECHNICAL SPECIFICATIONS

Vacuum entry	Vertical type
Buffer type	Non-rotation type (K)
Buffer stroke	For Ø2-Ø8...6mm
	For Ø10-Ø50...10mm

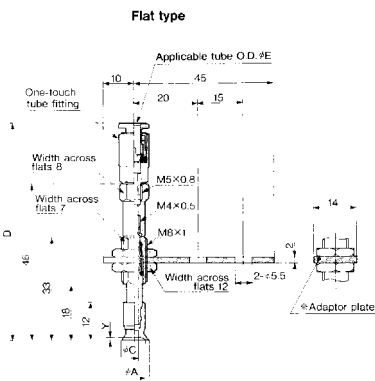
Pad type	Flat type	Flat with rib	Deep type
Pad dia. (mm)	2, 4, 6, 8, 10, 13, 16, 20, 25, 32, 40, 50	10, 13, 16, 20, 25, 32, 40, 50	10, 16, 25, 40
Material (colour)	NBR (Black)		
Hardness	50° shore		

SPRING FORCE (N)

Pad dia. (mm)	0 stroke	Stroke end
Ø2-Ø8	0.8	1.2
Ø10-Ø32	1	3
Ø40, Ø50	2	5

DIMENSIONS

PAD DIAMETERS Ø2, Ø4, Ø6, Ø8



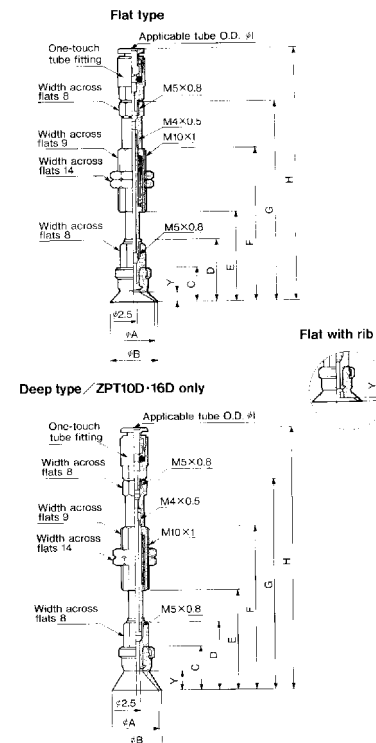
Adaptor plate : Provided as standard

FLAT TYPE

Model	ØA	ØB	ØC	E:M3x0.5				E:M5x0.8				Y
				D	F	D	F	D	F			
ZPT02U	2	2.6	1.2	3	6	5	8	3	6	5	8	0.8
ZPT04U	4	4.8	1.6	3	6	5	8	3	6	5	8	0.8
ZPT06U	6	7	2.5	3	6	5	8	3	6	5	8	0.8
ZPT08U	8	9	2.5	3	6	5	8	3	6	5	8	1

DIMENSIONS

PAD DIAMETERS Ø10, Ø13, Ø16



Deep type / ZPT10D-16D only

HOW TO ORDER
SEE NEXT PAGE

FLAT TYPE - FLAT WITH RIB

Model	ØA	ØB	C	D	E	F	G	Y	
								Flat	Flat with rib
ZPT10 $\frac{1}{2}$	10	12	12	21	32.5	55.5	68.5	3	1.7
ZPT13 $\frac{1}{2}$	13	15	12	21	32.5	55.5	68.5	3	1.8
ZPT16 $\frac{1}{2}$	16	18	12.5	21.5	33	56	69	3.5	1.2

DEEP TYPE

Model	ØA	ØB	C	D	E	F	G	Y
ZPT10D	10	12	15	24	35.5	58.5	71.5	6
ZPT16D	16	18	16	25	36.5	59.5	72.5	7



SEE INSIDE FRONT COVER FOR DETAILS OF YOUR LOCAL SALES OFFICE



FOR FURTHER TECHNICAL DETAILS ON THIS PRODUCT REQUEST CATALOGUE REFERENCE E807

HOW TO
ORDER

ZPT PAD VERTICAL TYPE WITH BUFFER

PAD DIAMETER

- 02 ...Ø2
- 04 ...Ø4
- 06 ...Ø6
- 08 ...Ø8
- 10 ...Ø10
- 13 ...Ø13
- 16 ...Ø16
- 20 ...Ø20
- 25 ...Ø25
- 32 ...Ø32
- 40 ...Ø40
- 50 ...Ø50

PAD TYPE

- UFlat
- CFlat with Rib (Not ø2,4,6,8)
- DDeep (ø10,16,25,40)
- BBellows (Not ø2,4)

PAD MATERIAL

- NNitrile rubber (standard)
- SSilicon rubber
- UUrethane
- FFluorine rubber
- GN ...Anti-static Nitrile rubber
- GS ...Anti-static Silicon rubber



VACUUM ENTRY-MOUNTING

	Symbol	Thread dia.	Ø2-Ø8	Ø10-Ø32	Ø40-Ø50
Male thread	A8	M8X1	•		
	A10	M10X1		•	
	A14	M14X1			•

VACUUM ENTRY

	Symbol	Port size	Ø2-Ø8	Ø10-Ø32	Ø40-Ø50
One-touch tube fitting	04	Ø4 tube	•	•	
	06	Ø6 tube	•	•	•
	08	Ø8 tube			•

BUFFER

Symbol	Stroke	Ø2-Ø8	Ø10-Ø32	Ø40-Ø50
K6	6mm	•		
K10	10mm		•	•

STOCKED PRODUCTS

FOR A LIST OF STOCKED PRODUCTS, PLEASE SEE THE CURRENT SMC PRICE LIST

ZPR VACUUM PADS
HORIZONTAL TYPE VACUUM ENTRY
WITH BUFFER - ONE TOUCH FITTING



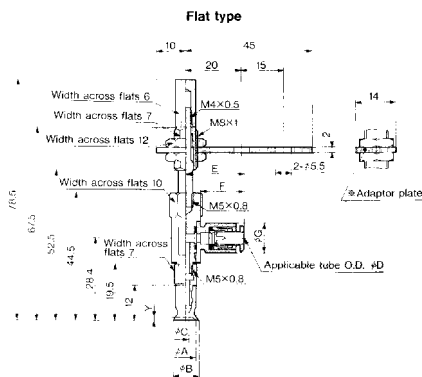
TECHNICAL SPECIFICATIONS

Vacuum entry	Horizontal type
Buffer type	Non-rotation type (K)
Buffer stroke	For Ø2-Ø8...6mm
	For Ø10-Ø50...10mm

Pad type	Flat type	Flat with rib	Deep type
Pad dia. (mm)	2, 4, 6, 8, 10, 13, 16, 20, 25, 32, 40, 50	10, 13, 16, 20, 25, 32, 40, 50	10, 16, 25, 40
Material (colour)	NBR (Black)		
Hardness	50° shore		

DIMENSIONS

PAD DIAMETERS Ø2, Ø4, Ø6, Ø8



↳ Adaptor plate: Provided as standard

FLAT TYPE

Model	ØA	ØB	ØC	ØD:Ø4			ØD:Ø6			Y
				E	F	ØG	E	F	ØG	
ZPR02U	2	2.6	1.2							0.8
ZPR04U	4	4.8	1.6							0.8
ZPR06U	6	7	2.5	20.6	15.6	10.4	21.6	16.6	12.8	0.8
ZPR08U	8	9	2.5							1

APPLICABLE TUBE

Applicable Tube O.D.	ØE
Ø4	10.4
Ø6	12.8

MORE DIMENSIONS
SEE NEXT PAGE

HOW TO
ORDER
SEE PAGE 6.17

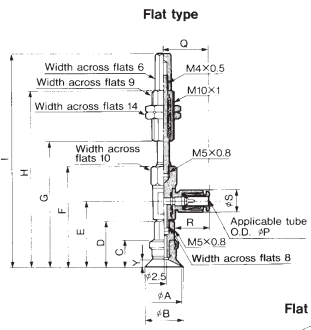


FOR FURTHER TECHNICAL
DETAILS ON THIS
PRODUCT REQUEST
CATALOGUE REFERENCE
E807

VACUUM PADS SERIES ZP

DIMENSIONS

PAD DIAMETERS Ø10, Ø13, Ø16



FLAT TYPE - FLAT WITH RIB

Model	ØA	ØB	C	D	E	F	G	H	I	Y	
										Flat	Flat with rib
ZPR10	10	12	12	21	29.9	46	57	80	91	3	1.7
ZPR13	13	15	12	21	29.9	46	57	80	91	3	1.8
ZPR16	16	18	12.5	21.5	30.4	46.5	57.5	80.5	91.5	3.5	1.2

DEEP TYPE

Model	A	ØB	C	D	E	F	G	H	I	Y
ZPR10D	10	12	15	24	32.9	49	60	83	94	6
ZPR16D	16	18	16	25	33.9	50	61	84	95	7

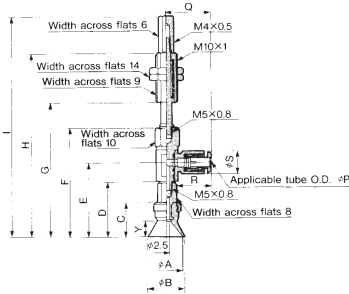
APPLICABLE TUBE

Applicable Tube O.D.	ØP	Q	R	ØS
Ø4	4	20.6	15.6	10.4
Ø6	6	21.6	16.6	12.8

Flat with rib



Deep type / ZPR10D-16D only



FLAT TYPE - FLAT WITH RIB

Model	A	ØB	C	D	E	F	G	H	I	Y	
										Flat	Flat with Rib
ZPR20	20	23	14	29	39.8	57.6	68.6	91.5	102.6	4	1.7
ZPR25	25	28	14	29	39.8	57.6	68.6	91.5	102.6	4	1.8
ZPR32	32	35	14.5	29.5	40.3	58.1	69.1	92	103.1	4.5	2.3

DEEP TYPE

Model	ØA	ØB	C	D	E	F	G	H	I	Y
ZPR25D	25	28	20	35	45.8	63.6	74.6	97.6	108.6	10

APPLICABLE TUBE

Applicable Tube O.D.	ØP	Q	R	ØS
Ø4	4	23.3	15.8	10.4
Ø6	6	24.3	16.8	12.8
Ø8	8	26.2	18.7	15.2

HOW TO ORDER

ZPR PAD HORIZONTAL TYPE WITH BUFFER



PAD DIAMETER

- 02.....Ø2 16.....Ø16
- 04.....Ø4 20.....Ø20
- 06.....Ø6 25.....Ø25
- 08.....Ø8 32.....Ø32
- 10.....Ø10 40.....Ø40
- 13.....Ø13 50.....Ø50

PAD TYPE

- U Flat
- C Flat with Rib (Not ø2,4,6,8)
- D Deep (ø10,16,25,40)
- B Bellows (Not ø2,4)

PAD MATERIAL

- N Nitrile rubber (standard)
- S Silicon rubber
- U Urethane
- F Fluorine rubber
- GN Anti-static Nitrile rubber
- GS Anti-static Siliconrubber

FLAT TYPE - FLAT WITH RIB

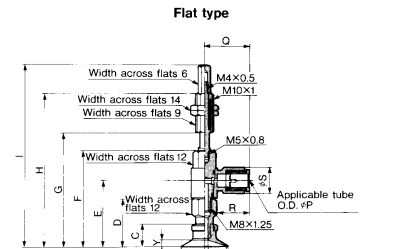
Model	ØA	ØB	C	D	E	F	G	H	I	Y	
										Flat	Flat with Rib
ZPR40	40	43	18.5	32	42.8	60.6	72.6	122.6	140.6	6.5	3.3
ZPR50	50	53	19.5	33	43.8	61.6	73.6	123.6	141.6	7.5	3.8

DEEP TYPE

Model	ØA	ØB	C	D	E	F	G	H	I	Y
ZPR40D	40	43	29	42.5	53.3	71.1	81.1	133.1	151.1	17

DIMENSIONS

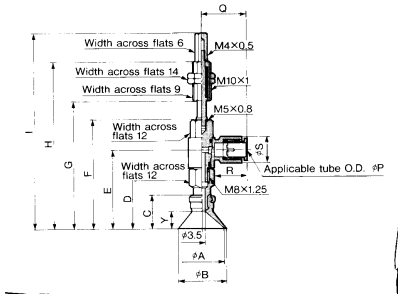
PAD DIAMETERS Ø20, Ø25, Ø32



Flat with rib

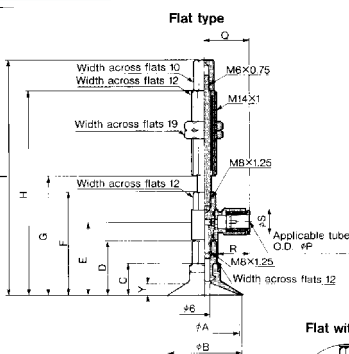


Deep type / ZPR25D only

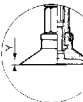


DIMENSIONS

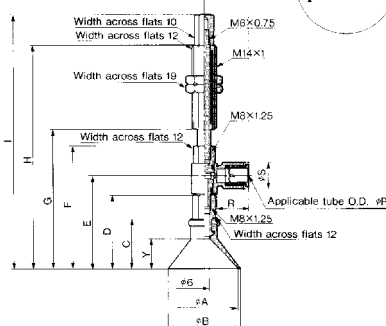
PAD DIAMETERS Ø40, Ø50



Flat with rib



Deep type / ZPR40D only



VACUUM ENTRY-MOUNTING

Symbol	Thread dia.	Ø2-Ø8	Ø10-Ø16	Ø20-Ø32	Ø40-Ø50
		Male thread	A8 A10 A14	M8X1 M10X1 M14X1	• • •

VACUUM ENTRY

Symbol	Port size	Ø2-Ø8	Ø10-Ø16	Ø20-Ø32	Ø40-Ø50
		One-touch tube fitting	Ø4 Ø6 Ø8	• • •	• • •

BUFFER

Symbol	Stroke	Ø2-Ø8	Ø10-Ø16	Ø20-Ø32	Ø40-Ø50
K6	6mm	•	•	•	•
K10	10mm	•	•	•	•

STOCKED PRODUCTS

FOR A LIST OF STOCKED PRODUCTS, PLEASE SEE THE CURRENT SMC PRICE LIST

APPLICABLE TUBE

Applicable Tube O.D.	ØP	Q	R	ØS
Ø6	6	24.3	16.8	12.8
Ø8	8	26.2	18.7	15.2



SEE INSIDE FRONT COVER FOR DETAILS OF YOUR LOCAL SALES OFFICE



FOR FURTHER TECHNICAL DETAILS ON THIS PRODUCT REQUEST CATALOGUE REFERENCE E807

ZPR VACUUM PADS
HORIZONTAL TYPE VACUUM ENTRY
WITHOUT BUFFER - ONE TOUCH FITTING

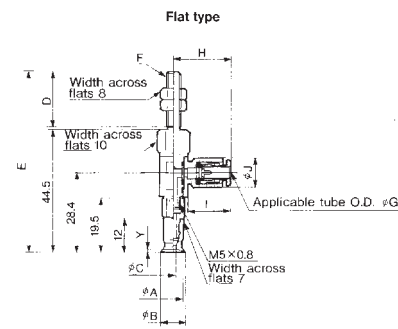
TECHNICAL
SPECIFICATIONS

Vacuum entry	Horizontal type		
Connection	With one-touch tube fitting		
Pad type	Flat type	Flat with rib	Deep type
Pad dia. (mm)	2, 4, 6, 8, 10, 13, 16, 20, 25, 32, 40, 50	10, 13, 16, 20, 25, 32, 40, 50	10, 16, 25, 40
Material (colour)	NBR (Black)		
Hardness	50°		



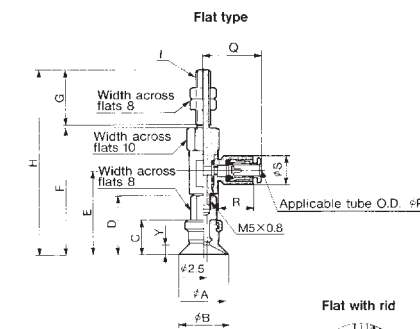
DIMENSIONS

PAD DIAMETERS Ø2, Ø4, Ø6, Ø8



DIMENSIONS

PAD DIAMETERS Ø10, Ø13, Ø16



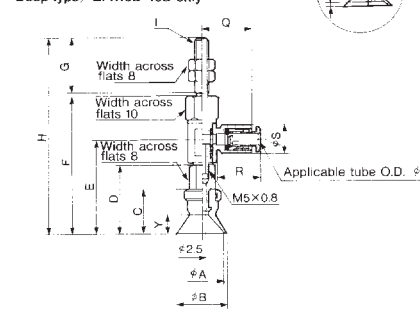
FLAT TYPE

Model	ØA	ØB	ØC	F: M5X0.8		F: M6X1		Y
				D	E	D	E	
ZPR02U	2	2.6	1.2					0.8
ZPR04U	4	4.8	1.6	20	65.5	25	70.5	0.8
ZPR06U	6	7	2.5					0.8
ZPR08U	8	9	2.5					1

APPLICABLE TUBE

Applicable Tube O.D.	ØG	H	I	ØJ
Ø4	4	20.6	15.6	10.4
Ø6	6	21.6	16.68	12.88

FLAT WITH RID



FLAT TYPE - FLAT WITH RIB

Model	ØA	ØB	C	D	E	F	I: M5X0.8		I: M6X1		Y	
							G	H	G	H	Flat	Flat with rib
ZPR10 $\frac{1}{2}$	10	12	12	21	29.9	46	20	67	25	72	3	1.7
ZPR13 $\frac{1}{2}$	13	15	12	21	29.9	46	20	67	25	72	3	1.8
ZPR16 $\frac{1}{2}$	16	18	12.5	21.5	30.4	46.5	20	67.5	25	72	3.5	1.2

DEEP TYPE

Model	ØA	ØB	C	D	E	F	I: M5X0.8		I: M6X1		Y
							G	H	G	H	
ZPR10D	10	12	15	24	32.9	49	20	70	25	75	6
ZPR16D	16	18	16	25	33.9	50	20	71	25	76	7

APPLICABLE TUBE

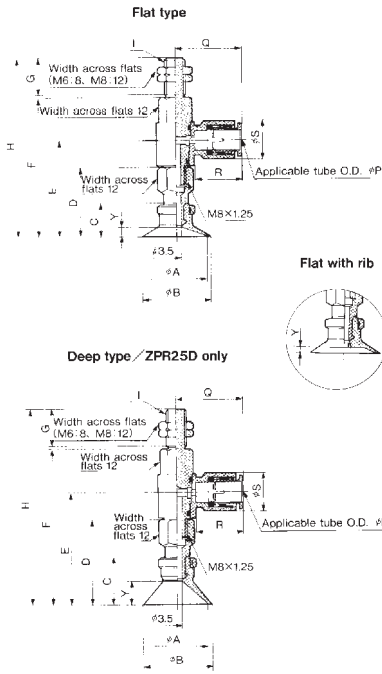
Applicable Tube O.D.	ØP	Q	R	ØS
Ø4	4	20.6	15.6	10.4
Ø6	6	21.6	16.6	12.8

MORE DIMENSIONS
SEE NEXT PAGE

HOW TO
ORDER
SEE NEXT PAGE

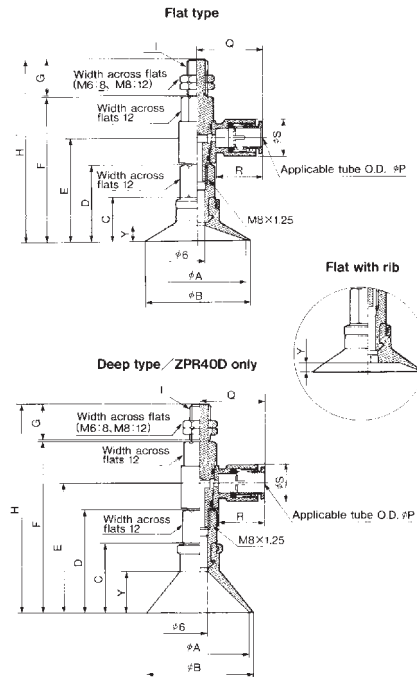
DIMENSIONS

PAD DIAMETERS Ø20, Ø25, Ø32



DIMENSIONS

PAD DIAMETERS Ø40, Ø50



FLAT TYPE - FLAT WITH RIB

Model	ØA	ØB	C	D	E	F	I: M6X1		I: M8X1		Y	
							G	H	G	H	Flat	Flat with rib
ZPR20 _U	20	23	14	29	39.8	57.6	25	83.5	15	73.5	4	1.7
ZPR25 _U	25	28	14	29	39.8	57.6	25	83.5	15	73.5	4	1.8
ZPR32 _U	32	35	14.5	29.5	40.3	58.1	25	84	15	74	4.5	2.3

DEEP TYPE

Model	ØA	ØB	C	D	E	F	I: M6X1		I: M8X1		Y
							G	H	G	H	
ZPR25D	25	28	20	35	48.5	63.6	25	89.5	15	79.5	10

APPLICABLE TUBE

Applicable Tube O.D.	ØP	Q	R	ØS
Ø4	4	23.3	15.8	10.4
Ø6	6	24.3	16.8	12.8
Ø8	8	26.2	18.7	15.2

FLAT TYPE - FLAT WITH RIB

Model	ØA	ØB	C	D	E	F	I: M6X1		I: M8X1		Y	
							G	H	G	H	Flat	Flat with rib
ZPR40 _U	40	43	18.5	32	42.8	60.6	25	86.5	15	76.5	6.5	3.3
ZPR50 _U	50	53	19.5	33	43.8	61.6	25	87.5	15	77.5	7.5	3.8

DEEP TYPE

Model	ØA	ØB	C	D	E	F	I: M6X1		I: M8X1		Y
							G	H	G	H	
ZPR40D	40	43	29	42.5	53.3	71.1	25	97	15	87	17

APPLICABLE TUBE

Applicable Tube O.D.	ØP	Q	R	ØS
Ø6	6	24.3	16.8	12.8
Ø8	8	26.2	18.7	15.2

HOW TO ORDER

ZPR PAD HORIZONTAL TYPE WITHOUT BUFFER

ZPR ○ ○ ○ — ○ — ○

PAD DIAMETER

- 02 ...Ø2
- 04 ...Ø4
- 06 ...Ø6
- 08 ...Ø8
- 10 ...Ø10
- 13 ...Ø13
- 16 ...Ø16
- 20 ...Ø20
- 25 ...Ø25
- 32 ...Ø32
- 40 ...Ø40
- 50 ...Ø50

PAD TYPE

- UFlat
- CFlat with Rib (Not ø2,4,6,8)
- DDeep (ø10,16,25,40)
- BBellows (Not ø2,4)

PAD MATERIAL

- NNitrile rubber (standard)
- SSilicon rubber
- UUrethane
- FFluorine rubber
- GN ...Anti-static Nitrile rubber
- GS ...Anti-static Siliconrubber

VACUUM PAD - MOUNTING

Symbol	Thread dia.	Ø2-Ø8	Ø10-Ø16	Ø20-Ø32	Ø40-Ø50
Male thread	A5	M5X0.8	•	•	
	A6	M6X1	•	•	•
	A8	M8X1			•

VACUUM ENTRY

Symbol	Port size	Ø2-Ø8	Ø10-Ø16	Ø20-Ø32	Ø40-Ø50
One-touch tube fitting	04	Ø4 tube	•	•	•
	06	Ø6 tube	•	•	•
	08	Ø8 tube			•

STOCKED PRODUCTS
FOR A LIST OF STOCKED PRODUCTS, PLEASE SEE THE CURRENT SMC PRICE LIST



SEE INSIDE FRONT COVER FOR DETAILS OF YOUR LOCAL SALES OFFICE

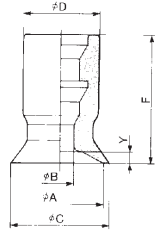


FOR FURTHER TECHNICAL DETAILS ON THIS PRODUCT REQUEST CATALOGUE REFERENCE E807

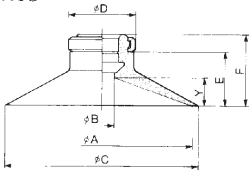
ZP SERIES VACUUM PADS

DIMENSIONS
ZP VACUUM PADS

ZP02U○~08U○



ZP10U○~50U○

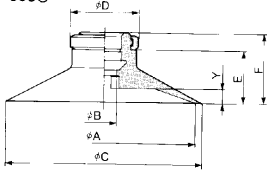


FLAT TYPE PAD

Part No.	Type	ØA	ØC	ØB	D	E	F	Y
ZP02U•	U02	2	2.6	1.2	7	-	12	0.8
ZP04U•	U04	4	4.8	1.6	7	-	12	0.8
ZP06U•	U06	6	7	2.5	7	-	12	0.8
ZP08U•	U08	8	9	2.5	7	-	12	1
ZP10U•	U10	10	12	4	13	7.7	12	3
ZP13U•	U13	13	15	4	13	7.7	12	3
ZP16U•	U16	16	18	4	13	8.2	12.5	3.5
ZP20U•	U20	20	23	4	15	9.5	14	4
ZP25U•	U25	25	28	4	15	9.5	14	4
ZP32U•	U32	32	35	4	15	10	14.5	4.5
ZP40U•	U40	40	43	7	18	13.7	18.5	6.5
ZP50U•	U50	50	53	7	18	14.7	19.5	7.5

DIMENSIONS
ZP VACUUM PADS

ZP10C○~50C○



FLAT TYPE PAD WITH RIB

Part No.	Type	ØA	ØC	ØB	ØD	E	F	Y
ZP10C•	C10	10	12	4	13	7.7	12	1.7
ZP13C•	C13	13	15	4	13	7.7	12	1.8
ZP16C•	C16	16	18	4	13	8.2	12.5	1.2
ZP20C•	C20	20	23	4	15	9.5	14	1.7
ZP25C•	C25	25	28	4	15	9.5	14	1.8
ZP32C•	C32	32	35	4	15	10	14.5	2.3
ZP40C•	C40	40	43	7	18	13.7	18.5	3.3
ZP50C•	C50	50	53	7	18	14.7	19.5	3.3

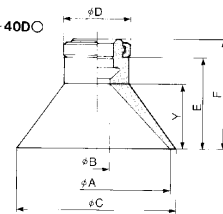
DIMENSIONS
ZP VACUUM PADS

- ✓ 288 standard options
- ✓ 12 diameters
- ✓ 4 types
- ✓ 6 materials



DIMENSIONS
ZP VACUUM PADS

ZP10D○~40D○



DEEP TYPE PAD

Part No.	Type	G	ØC	ØB	ØD	E	F	Y
ZP10D•	D10	10	12	4	13	10.7	15	6
ZP16D•	D16	16	18	4	13	11.7	16	7
ZP25D•	D25	25	28	4	15	15.5	20	10
ZP40D•	D40	40	43	7	18	24.2	29	17

Part No.	Type	ØA	ØB	ØC	ØD	E	F	ØG	ØH	Y
ZP06B	B06	6	7	2.5	7	-	13	3.3	9.1	4
ZP08B	B08	8	9	2.5	7	-	13	4.7	10.1	4
ZP10B	B10	10	12	4	13	11.7	16	5.5	13.8	5.5
ZP13B	B13	13	15	4	13	14.2	18.5	8.7	19	7.5
ZP16B	B16	16	18	4	13	15.7	20	9.9	21	8.5
ZP20B	B20	20	22	4	15	19	23.5	121.4	25	10.5
ZP25B	B25	25	27	4	15	19.5	24	15.6	28	10.5
ZP32B	B32	32	34	4	15	24.5	29	18.9	37	14
ZP40B	B40	40	43	7	18	29.2	34	24.4	48	16
ZP50B	B50	50	53	7	18	33.2	38	32.4	57	19

HOW TO
ORDER
ZP VACUUM PADS



PAD DIAMETER

- 02 ...Ø2
- 04 ...Ø4
- 06 ...Ø6
- 08 ...Ø8
- 10 ...Ø10
- 13 ...Ø13
- 16 ...Ø16
- 20 ...Ø20
- 25 ...Ø25
- 32 ...Ø32
- 40 ...Ø40
- 50 ...Ø50

PADMATERIAL

- NNitrile rubber (standard)
- SSilicon rubber
- UUrethane
- FFluorine rubber
- GN ...Anti-static Nitrile rubber
- GS ...Anti-static Silicon rubber

PAD TYPE

- UFlat
- CFlat with Rib (Not ø2,4,6,8)
- DDeep (ø10,16,25,40)
- BBellows (Not ø2,4)

STOCKED PRODUCTS
FOR A LIST OF STOCKED PRODUCTS,
PLEASE SEE THE CURRENT SMC PRICE LIST

HEAVY DUTY VACUUM PADS SERIES ZPT/ZPX

- ✓ Wide range of materials: NBR, Silicon, Fluorine, Urethane, EPM
- ✓ Heavy duty range of sizes from Ø40 - Ø125
- ✓ Choice of mounting styles - orthogonal or axial vacuum entry
- ✓ Optional spring loaded buffer
- ✓ 4 choices of buffer stroke



		Standard Type		Buffer Mount Type
ZPT	Axial Vacuum Entry			
ZPX	90° Vacuum Entry			

Buffer Stroke	Ø Pad	Ø40	Ø50	Ø63	Ø80	Ø100	Ø125
25		•	•	•	•	•	•
50		•	•	•	•	•	•
75		•	•	•	•	•	•
100		-	-	-	-	•	•



SEE INSIDE FRONT COVER FOR DETAILS OF YOUR LOCAL SALES OFFICE



FOR FURTHER TECHNICAL DETAILS ON THIS PRODUCT REQUEST CATALOGUE REFERENCE E807