

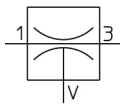
## ZH-A, Vacuum Ejector, Box Style/Body Ported Style, Metric

### ZH13DSA-08-10-10

Datasheet

### General series information

- One-touch fittings: Ø 6, 8, 10 and 12 mm. Screw-in connections: 1/8" to 1/2" (Rc/G).

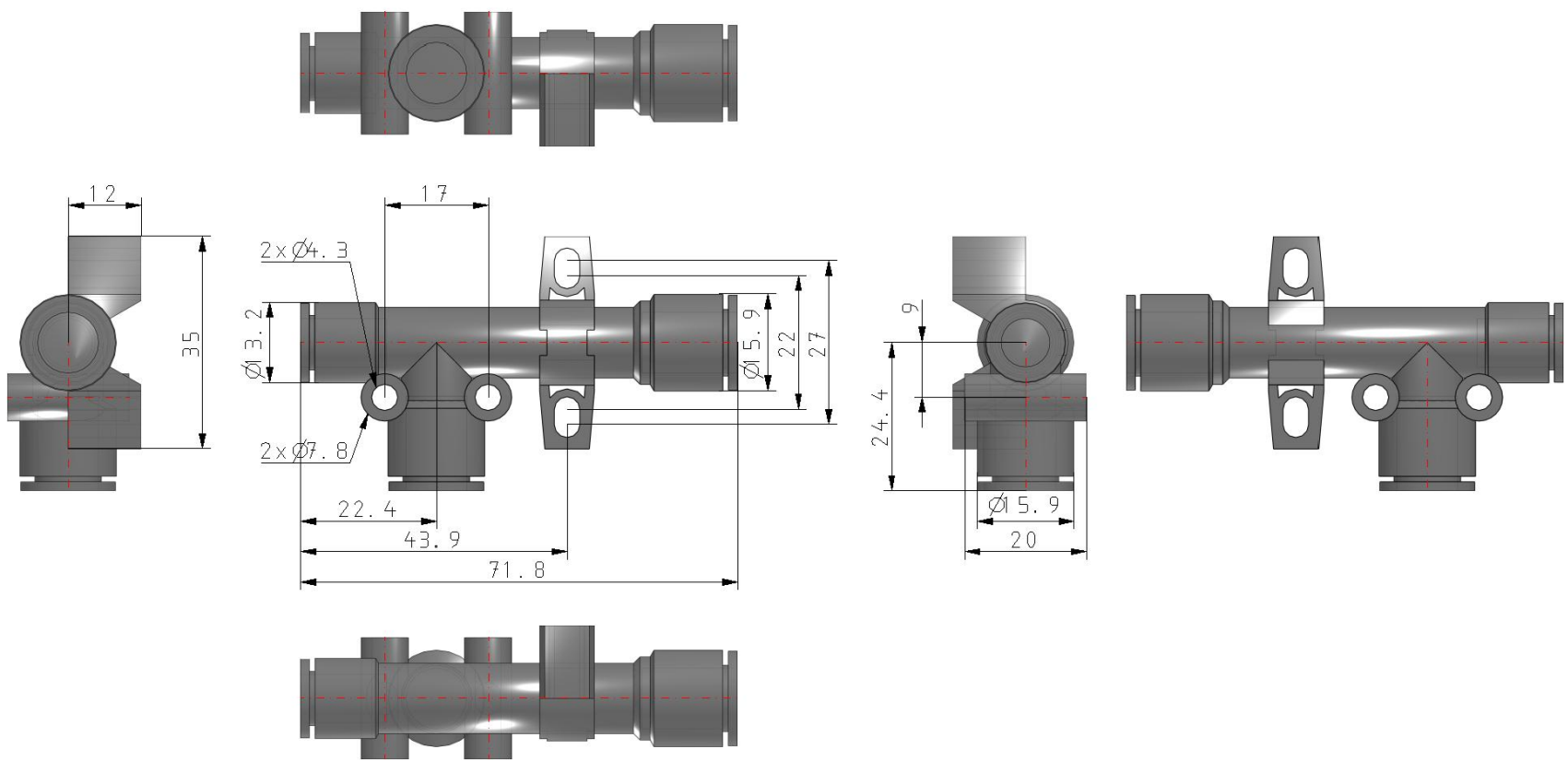


Vacuum ejector

### Standard specifications

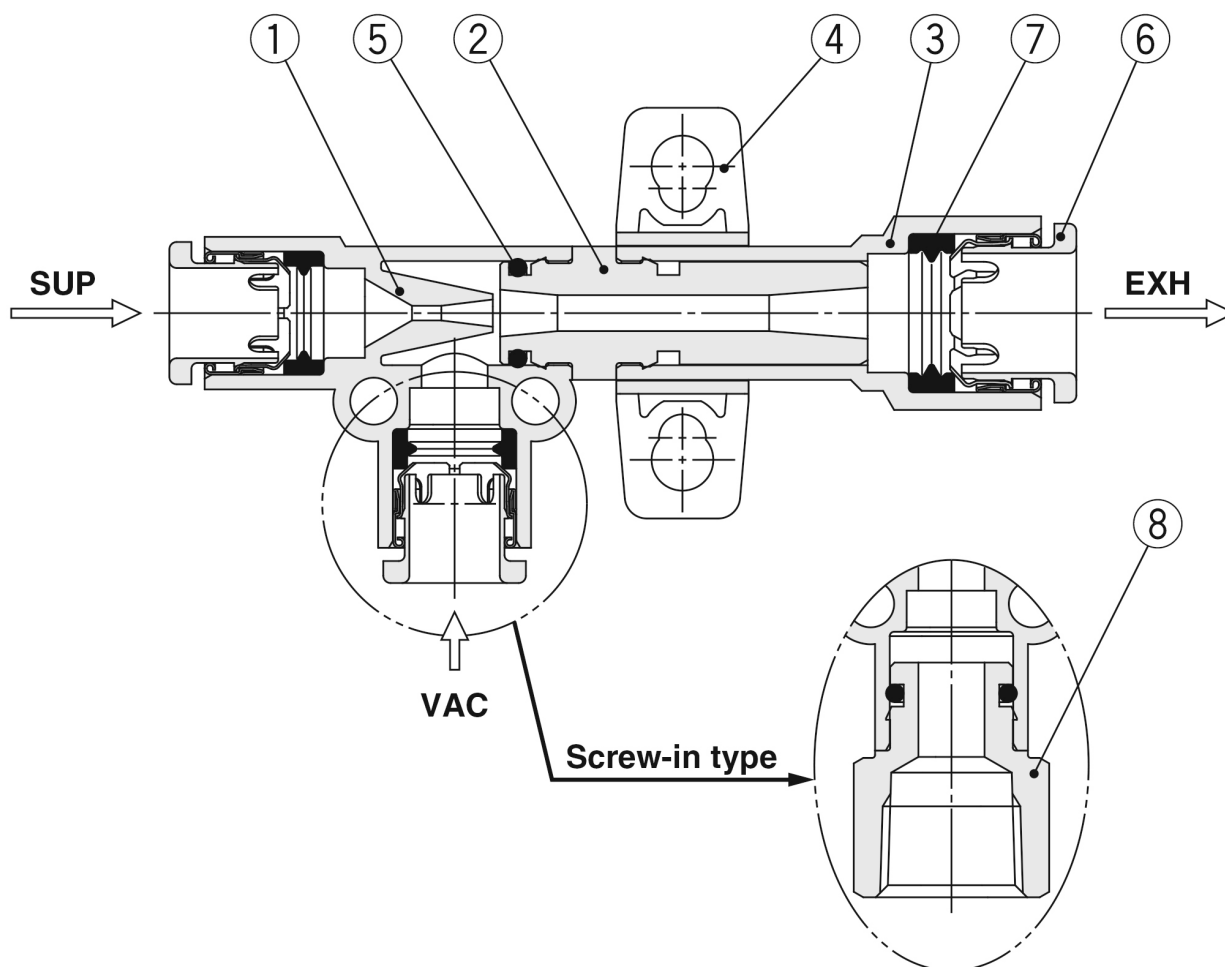
|  |  |
|--|--|
| Nozzle Diameter                        | 13 (Ø 1.3 mm)  |
| Model                                  | D (Body Ported Style)  |
| Vacuum Pressure                        | S [-90 kPa; -89 kPa (Box Style)]                             |
| Port SUP.                              | 08 (One-touch Fitting Ø8 mm)                                 |
| Port VAC.                              | 10 (One-touch Fitting Ø10)                                   |
| Port EXH.                              | 10 (One-touch Fitting Ø10)                                   |
| Accessories                            | W/ Bracket - W/o Silencer (or None in the Case of Box Style) |
| Pressure medium                        | Air  |
| Maximum temperature of pressure medium | 50 °C  |
| Minimum temperature of pressure medium | -5 °C  |
| Maximum ambient temperature            | 50 °C  |
| Minimum ambient temperature            | -5 °C  |
| Pneumatic input connection             | One-touch Ø 8  |
| Pneumatic exhaust connection           | One-touch Ø 10   |
| Flow rate                              | 40 l/min (ANR)   |
| Usable tubing material                 | Soft nylon;Nylon;Polyurethane                                |
| Pneumatic vacuum connection            | One-touch Ø 10   |
| Maximum Vacuum                         | -90 kPa  |
| Nozzle nominal size [mm]               | 1.3 mm   |
| Weight                                 | 0.027 Kg   |

# Dimensions



## Constructions

### Body ported type



### Component Parts

| No. | Description      | Material | Note                         |
|-----|------------------|----------|------------------------------|
| 1   | Body             | PBT      |                              |
| 2   | Diffuser         | PPS      | Type S: Brown, Type L: Black |
| 3   | Adapter          | PBT      |                              |
| 4   | Standard bracket | PBT      | Detachable (Accessory)       |
| 5   | O-ring           | NBR      | Grease applied               |
| 6   | Cassette         | —        |                              |
| 7   | Seal             | NBR      | Grease applied               |
| 8   | Screw-in stud    | Brass    | Electroless nickel plating   |

## Additional information

|                   |                                     |
|-------------------|-------------------------------------|
| Catalogue         | <a href="#">ZH-C_EU.pdf</a>         |
| Operation manuals | <a href="#">OM_ZH_OM00401EN.pdf</a> |