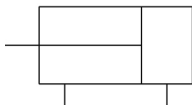


C(D)85, ISO Standard Cylinder, Double Acting, Single Rod CD85N16-35-B

Datasheet

General series information

- Double acting, single rod, crimped cylinder
- Conforms to ISO 6432 and CETOP RP52P
- Bore sizes (mm): 8, 10, 12, 16, 20, 25
- Standard strokes up to 300mm
- Auto switch capable



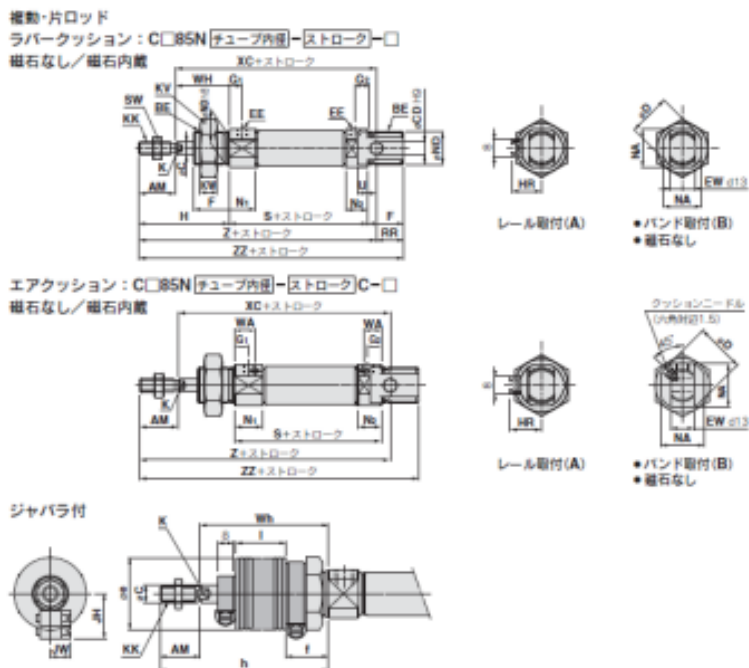
Double-acting cylinder with cushioning adjustable at both ends, single piston rod

Standard specifications

Magnet	D (Built-in)
Mounting	N (Basic Integrated Clevis)
Bore Size	Ø16 mm
Stroke	35
Cushion	Rubber Cushion
Rod Boot	None
Auto Switch Mounting Type	B (Band)
Auto Switch	No Switch
Lead Wire or Prewired Connector	0.5m (Or None in the Case of No Switch)
Number	2 pcs. (Or None in the Case of No Switch)
Rod End Options	None
Temperature Resistance	None
Low Speed	None
Stainless Steel	None
Long Stroke	None
Pressure medium	Compressed Air
Maximum temperature of pressure medium	80 °C
Maximum temperature of pressure medium with magnet	60 °C

Minimum temperature of pressure medium	-20 °C [without condensation]
Minimum temperature of pressure medium with magnet	-10 °C [without condensation]
Maximum operating pressure	1 MPa
Minimum operating pressure	0.05 MPa
Proof pressure	1.5 MPa
Maximum ambient temperature	80 °C
Maximum ambient temperature with magnet	60 °C
Minimum ambient temperature	-20 °C
Minimum ambient temperature with magnet	-10 °C
Number of pneumatic connections	2 pcs.
Pneumatic input connection	M5
Pneumatic output connection	M5
Mode of operation of drive	Double acting
Theoretical cylinder force, advance stroke (at 0.5 MPa)	100.6 N
Theoretical cylinder force, return stroke (at 0.5 MPa)	86.4 N
Maximum piston speed	1,500 mm/s
Type of cushioning	Rubber bumper
Piston rod end	External thread
Geometric form of the piston rod	Single rod
Male thread of rod end	M6
Usable tubing material	Soft nylon;Nylon;Polyurethane
Minimum piston speed	50 mm/s
Weight	0.112 Kg

Dimensions



寸法表 (mm)

シリーズ	AM	BE	C	CO	D	EE	EW	F	G1	G2	H	HR	K	KA	KK	KV	KN	N1	N2	NA	NC	NR	S	SW	U	WA	WH	XC	Z	ZZ
8	12	M2×1.25	4.4	16.1	M5×0.8	8	12	7	5	25	10	—	4.2	M4×0.7	19	6	11.5	9.5	15	12	10	46	7	6	—	18	64	76	86	
10	12	M2×1.25	4.4	16.1	M5×0.8	8	12	7	5	28	10.5	—	4.2	M4×0.7	19	6	11.5	9.5	15	12	10	46	7	6	—	18	64	76	86	
12	16	M16×1.5	6.6	19.7	M5×0.8	12	17	10	6	38	14	5	6.2	M5×1	24	8	15.2	13.2	18.2	16	14	50	10	9	9.5	27	115	131	150	
16	16	M16×1.5	6.6	19.7	M5×0.8	12	17	10	6	38	14	5	6.2	M5×1	24	8	15.2	13.2	18.2	16	14	50	10	9	9.5	27	115	131	150	
20	20	M22×1.5	8	28	G 1/8	16	20	8	8	44	17	6	8.2	M8×1.25	32	11	15	17	24	22	11	62	13	12	13	24	95	115	126	
25	25	M22×1.5	8	28	G 1/8	16	20	8	8	50	20	8	10.2	M8×1.25	32	11	15	17	24	22	11	62	13	12	13	24	95	115	126	

()内はエアクッションの寸法。

ジャバラ付 (mm)

シリーズ	AM	C	a	f	K	KK	h								
							1-50	51-100	101-150	151-200	201-300	301-400	401-500		
20	20	8	36	20	6	M8×1.25	71	84	96	109	134	159	—	—	—
25	22	10	36	20	8	M10×1.25	74	87	99	112	137	162	187	—	—

シリーズ	AM	C	a	f	K	KK	JH	JW	Wh							
									1-50	51-100	101-150	151-200	201-300	301-400	401-500	
20	12.5	25	37.5	50	75	100	—	22.5	10.5	5.1	64	76	89	114	139	—
25	12.5	25	37.5	50	75	100	125	23.5	10.5	5.2	65	77	90	115	140	165

Constructions

C□85□20, 25 Rubber bumper



Component Parts

No.	Description	Material	Quantity	Remarks
①	Rod cover	Aluminum alloy	1	White anodized
②A	Head cover N	Aluminum alloy	1	White anodized
②B	Head cover E	Aluminum alloy	1	White anodized
②C	Head cover F	Aluminum alloy	1	White anodized
②D	Head cover Y	Aluminum alloy	1	White anodized
③	Cylinder tube	Stainless steel	1	
④	Piston rod	Carbon steel	1	Hard chrome plated
⑤	Piston	Aluminum alloy	1	Chromated
⑥	Plain washer	Carbon steel	1	Nickel plated
⑦	Bushing	Sintered bronze	1	
⑧	Bushing	Sintered bronze	2	

* Stainless steel (Non-rotating rod)

No.	Description	Material	Quantity	Remarks
⑨	Retaining ring	Carbon steel	1	Nickel plated
⑩	Retaining ring	Carbon steel	2	
⑪	Magnet		1	(Switch style only)
⑫	Wear ring	Phenolic resin	1	
⑬	Bumper A	Urethane	1	
⑭	Bumper B	Urethane	1	
⑮	Piston gasket	NBR	1	
⑯	Rod seal	NBR	1	
⑰	Piston seal	NBR	1	
⑱	Rod end nut	Carbon steel	1	Nickel plated
⑲	Mounting nut	Carbon steel	1	Nickel plated

Additional information

Catalogue

[C85_C75-A_EU.pdf](#)