

## KK\*P-\*H, S-Couplers, Straight Type with One-touch Fitting KK3P-06H

Datasheet

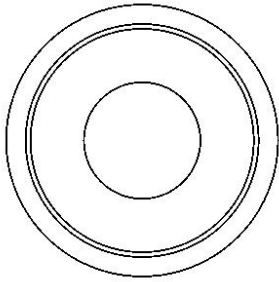
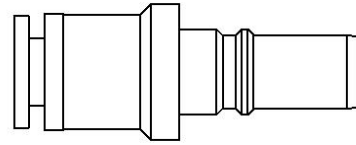
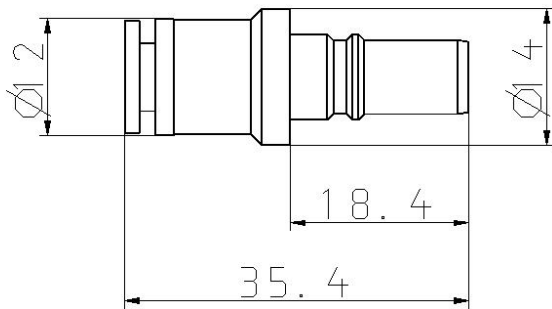
### General series information

- Straight Type with One-touch Fitting.
- Body size: M5, 1/8, 1/4, 1/2.
- Applicable Tubing O.D.:  $\varnothing 3.2$ ,  $\varnothing 4$ ,  $\varnothing 6$ ,  $\varnothing 8$ ,  $\varnothing 10$ ,  $\varnothing 12$ ,  $\varnothing 16$ .

### Standard specifications

Body Size	3 (1/8)
Applicable Tubing O.D.	$\varnothing 6$ mm
Pressure medium	Air, Water
Maximum operating pressure	1.0 MPa
Minimum operating pressure	-90 kPa
Proof pressure	1.5 MPa
Maximum ambient temperature	60 °C / 40 °C for Water
Minimum ambient temperature	-5 °C (with no freezing) / 5 °C for Water
Effective Area	20 mm <sup>2</sup>
Sealing principle	Electroless nickel plated (copper-free application), With male thread sealant
Weight	0.009 Kg

## Dimensions



## Additional information

Catalogue

[KK-C\\_EU.pdf](#)