

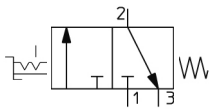
## VHK-A, Finger Valve, One-touch Fitting

### VHK3A-10F-10F

Datasheet

### General series information

- 1(P)/2(A) One-touch fitting.

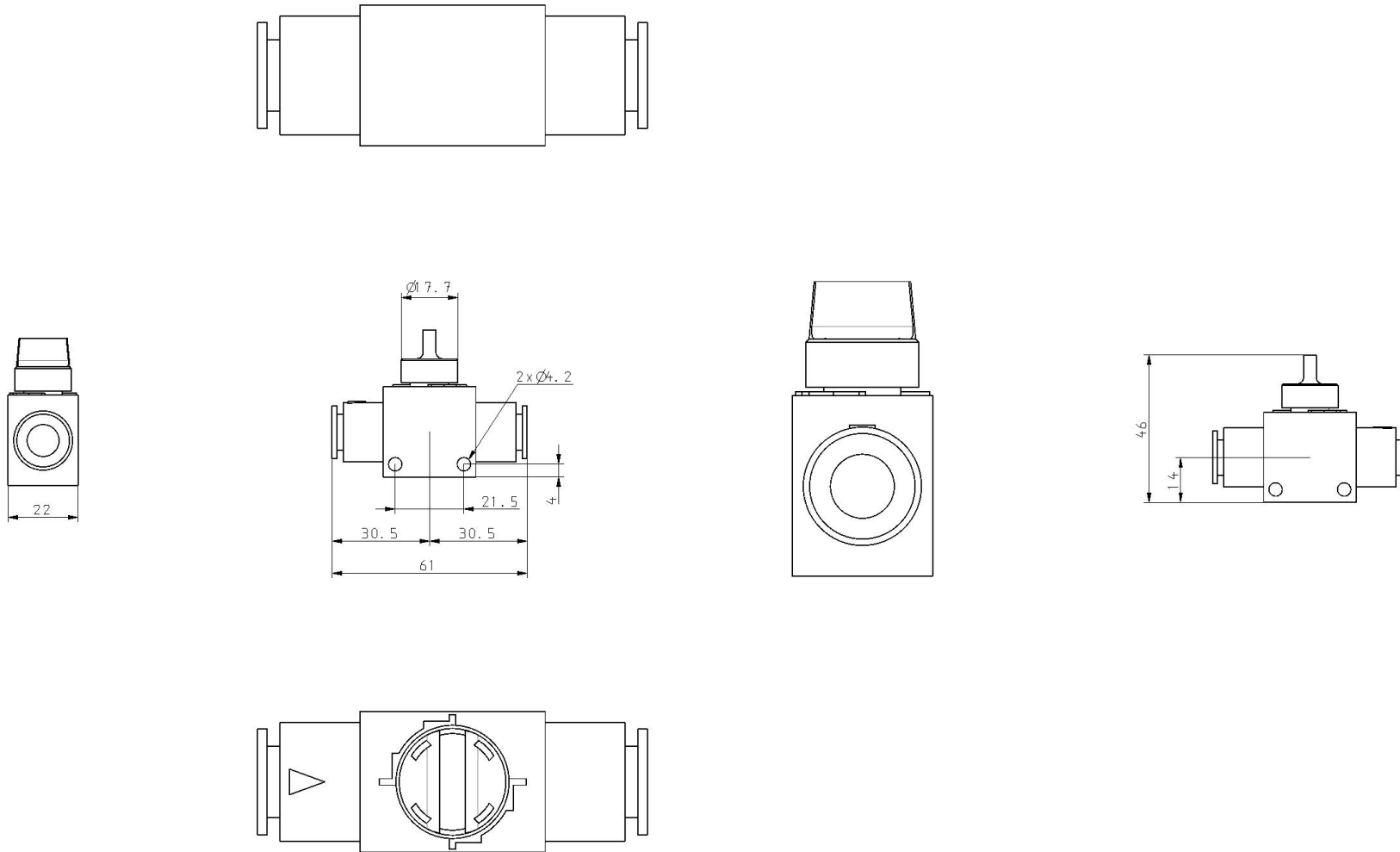


*Directional control valve 3/2-way valve, closed normal position return with control mechanism by turning return with mechanical control spring*

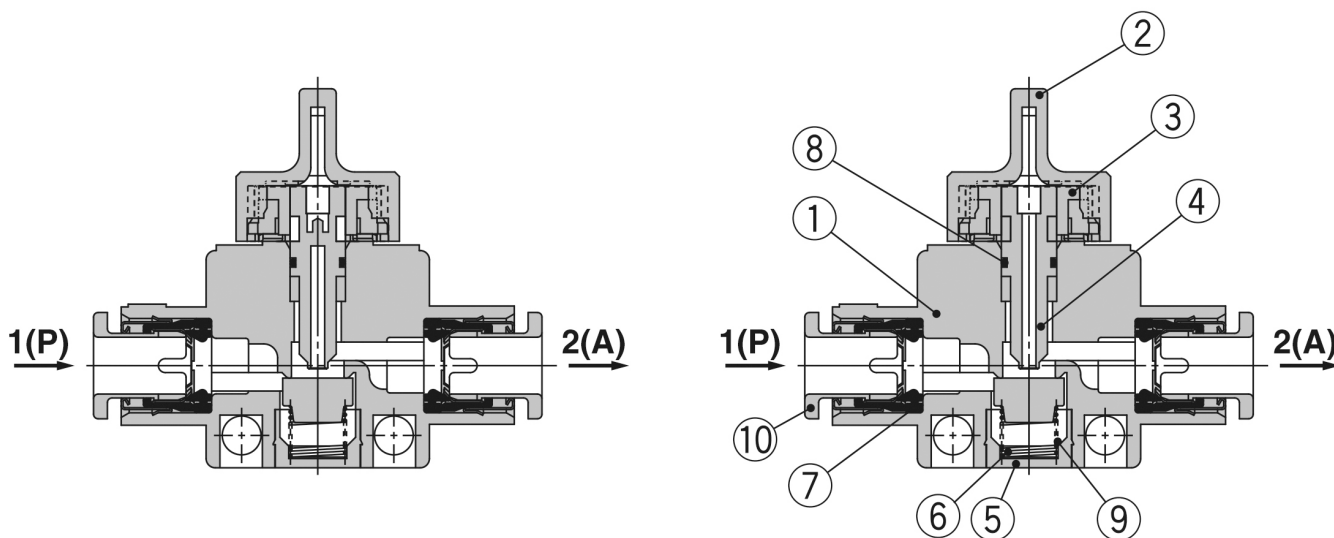
### Standard specifications

|  |                                 |
|--|---------------------------------|
| Valve                                  | 3 (3-Port Valve)                |
| 1(P) Applicable Tubing O.D.            | ø 10                            |
| 2(A) Applicable Tubing O.D.            | ø 10                            |
| Knob Colour                            | Grey (2-port); Blue (3-port)    |
| Bracket                                | None                            |
| Pressure medium                        | Air                             |
| Maximum temperature of pressure medium | 60 °C                           |
| Minimum temperature of pressure medium | 0 °C                            |
| Maximum operating pressure             | 1.0 MPa                         |
| Minimum operating pressure             | -100 kPa                        |
| Proof pressure                         | 1.5 MPa                         |
| Maximum ambient temperature            | 60 °C                           |
| Minimum ambient temperature            | 0 °C                            |
| Usable tubing material                 | Nylon, Soft nylon, Polyurethane |
| Weight                                 | 0.029 Kg                        |

# Dimensions



## Constructions



| No. | Description         | Material        | Note                      |
|-----|---------------------|-----------------|---------------------------|
| 1   | <b>Body</b>         | PBT             |                           |
| 2   | <b>Knob</b>         | POM             |                           |
| 3   | <b>Cam ring</b>     | POM             |                           |
| 4   | <b>Stem</b>         | POM             |                           |
| 5   | <b>Spring guide</b> | Brass           | Electroless nickel plated |
| 6   | <b>Spring</b>       | Stainless steel |                           |
| 7   | <b>Seal</b>         | NBR             |                           |
| 8   | <b>O-ring</b>       | NBR             |                           |
| 9   | <b>Valve</b>        | NBR             |                           |
| 10  | <b>Cassette</b>     | —               |                           |

## Additional information

Catalogue

[VHK-Aa\\_EU.pdf](#)