

MXQ*B-Z, Air Slide Table, Low Thrust with High Rigidity Type MXQ20B-20Z

Datasheet

General series information

- Higher rigidity: Guide rigidity improved by 50%.
- Up to 23% more compact.
- Up to 44% lighter.
- 55% Less air consumption.

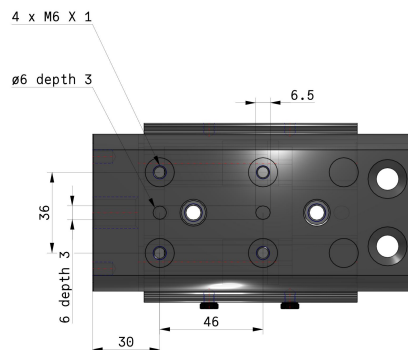
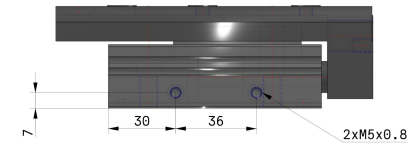
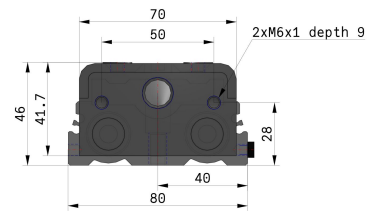
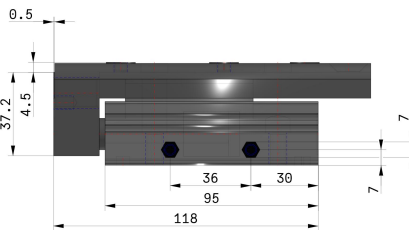
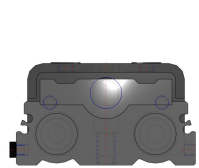
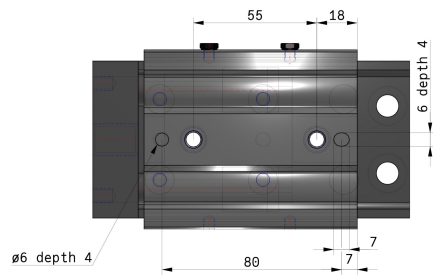
Standard specifications

Bore Size	20 mm
Body Option	B (Standard)
Stroke	20 mm
Adjuster Option	Z (Without Adjuster)
Auto Switch	No Switch
Lead Wire or Prewired Connector	0.5m (Or None in the Case of No Switch)
Number	2 pcs. (Or None in the Case of No Switch)
Made to Order	None
Pressure medium	Compressed air
Maximum temperature of pressure medium	60 °C
Minimum temperature of pressure medium	-10 °C
Maximum operating pressure	0.7 MPa
Minimum operating pressure	0.15 MPa
Proof pressure	1.05 MPa
Maximum ambient temperature	60 °C
Minimum ambient temperature	-10 °C
Number of pneumatic connections	2 pcs.
Pneumatic input connection	M5 x 0.8
Mode of operation of drive	Double acting

Theoretical cylinder force, advance stroke (at 0.5 MPa)	314 N
Theoretical cylinder force, return stroke (at 0.5 MPa)	264 N
Maximum piston speed	300 mm/s
Type of cushioning	Internal rubber bumper
Weight	1.200 Kg

Specifications are subject to change without prior notice and any obligation on the part of the manufacturer.

Dimensions



Specifications are subject to change without prior notice and any obligation on the part of the manufacturer.

Additional information

Catalogue

[MXQ-Z-C_EU.pdf](#)

Operation manuals

[OM_MXQ-Z_OMP0038EN-D.pdf](#)