

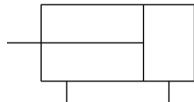
C(D)UJ, Miniature Free Mount Cylinder

CDUJB16-25DM

Datasheet

General series information

- Miniature free mount
- Space saving compact cylinder
- Available in 4mm to 20mm bore size.



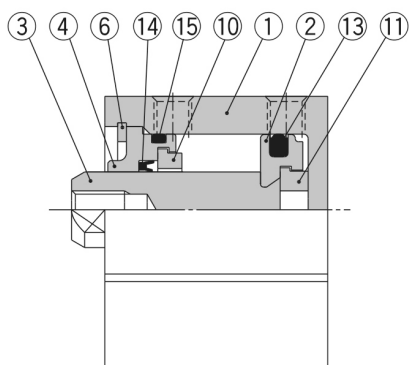
Double-acting, single-rod cylinder

Standard specifications

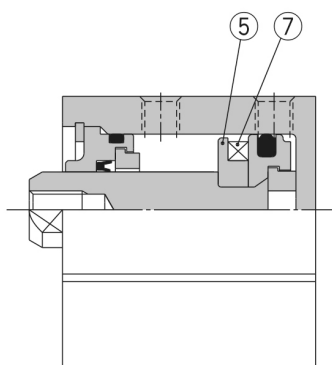
| | |
|---|---|
| Clean Series | Without Clean Series |
| Magnet | D (Built-in Magnet) |
| Mounting Direction | B (Lateral Mounting) |
| Bore Size | 16 |
| Stroke | 25 mm |
| Action | D (Double Acting) |
| Rod End Thread | M (Rod End Male Thread) |
| Auto Switch | No Switch |
| Lead Wire or Prewired Connector | 0.5m (Or None in the Case of No Switch) |
| Number | 2 pcs. (Or None in the Case of No Switch) |
| Pressure medium | Air |
| Maximum operating pressure | 0.7 MPa |
| Minimum operating pressure | 0.07 MPa |
| Proof pressure | 1.05 MPa |
| Theoretical cylinder force, advance stroke (at 0.5 MPa) | 101 N |
| Theoretical cylinder force, return stroke (at 0.5 MPa) | 75 N |
| Type of cushioning | Rubber Bumper |
| Malethread of rod end | Male Thread |
| Ambient and fluid temperature | -10 to 70 °C |
| Stroke length tolerance | 0 - +1.0 |
| F449 - Rod_end_thread_tolerance | JIS class 2 |
| F450 - Mounting | Through-hole |
| Piston speed | 50 - 500 mm/s |

Constructions

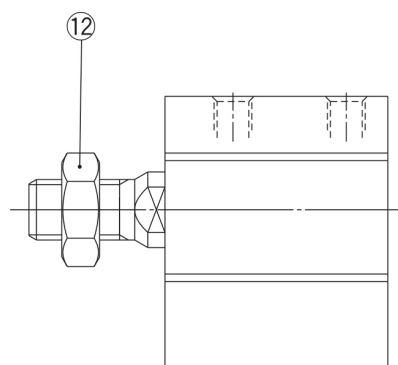
Double Acting



Without magnet



Built-in magnet



Rod end male threaded

Component Parts

| No. | Description | Material | Note |
|-----|-----------------------------------|--------------------------------|--------------------------|
| 1 | Cylinder tube | Aluminum alloy | Hard anodized |
| 2 | Piston | Aluminum alloy | Trivalent chromated |
| 3 | Piston rod | Stainless steel | |
| 4 | Collar | Aluminum alloy | Hard anodized |
| 5 | Magnet holder | Aluminum alloy | Trivalent chromated |
| 6 | Retaining ring | Steel for special applications | Phosphate coated |
| 7 | Magnet | — | |
| 8 | Return spring | Steel wire | Zinc trivalent chromated |
| 9 | Element | Bronze casted | (for Ø 12, Ø 16) |
| | Plug with fixed restrictor | Structural steel | Nickel plated (for Ø 20) |
| 10 | Damper A | Resin | |
| 11 | Damper B | Resin | |
| 12 | Rod end nut | Steel wire | Nickel plated |
| 13 | Piston seal | NBR | |
| 14 | Rod seal | NBR | |
| 15 | O-ring | NBR | |

Additional information

| | |
|-------------------|--------------------------------------|
| Catalogue | CUJ-C_EU.pdf |
| Operation manuals | cuj_cuj_-om0001j.pdf |