

MGQL (ø12 to ø32), Compact Guide Cylinder, Ball Bushing Bearing MGQL12-20

Datasheet

General series information

- Compact guide cylinder
- Ball bushing bearing
- Bore sizes: 12, 16, 20, 25, 32 (mm)
- Strokes from 1mm through 200mm depending upon bore size
- Variety of switches and a variety of lead wire lengths.



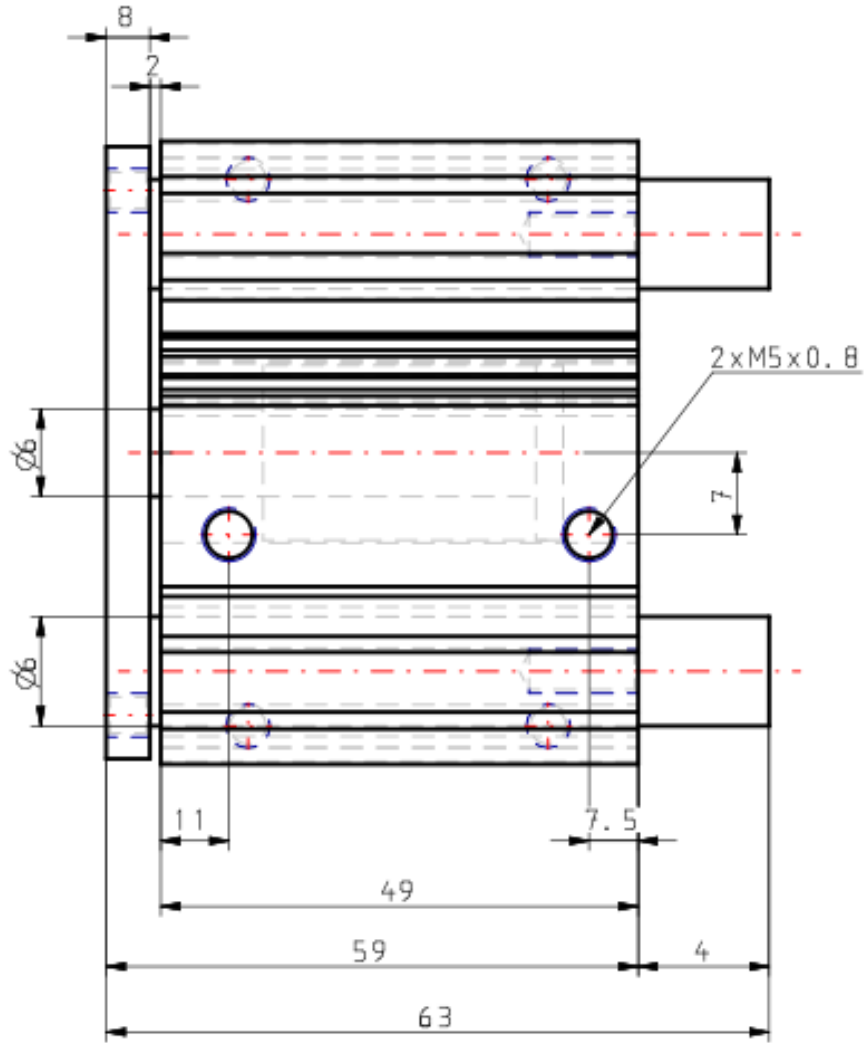
Double-acting, single-rod cylinder

Standard specifications

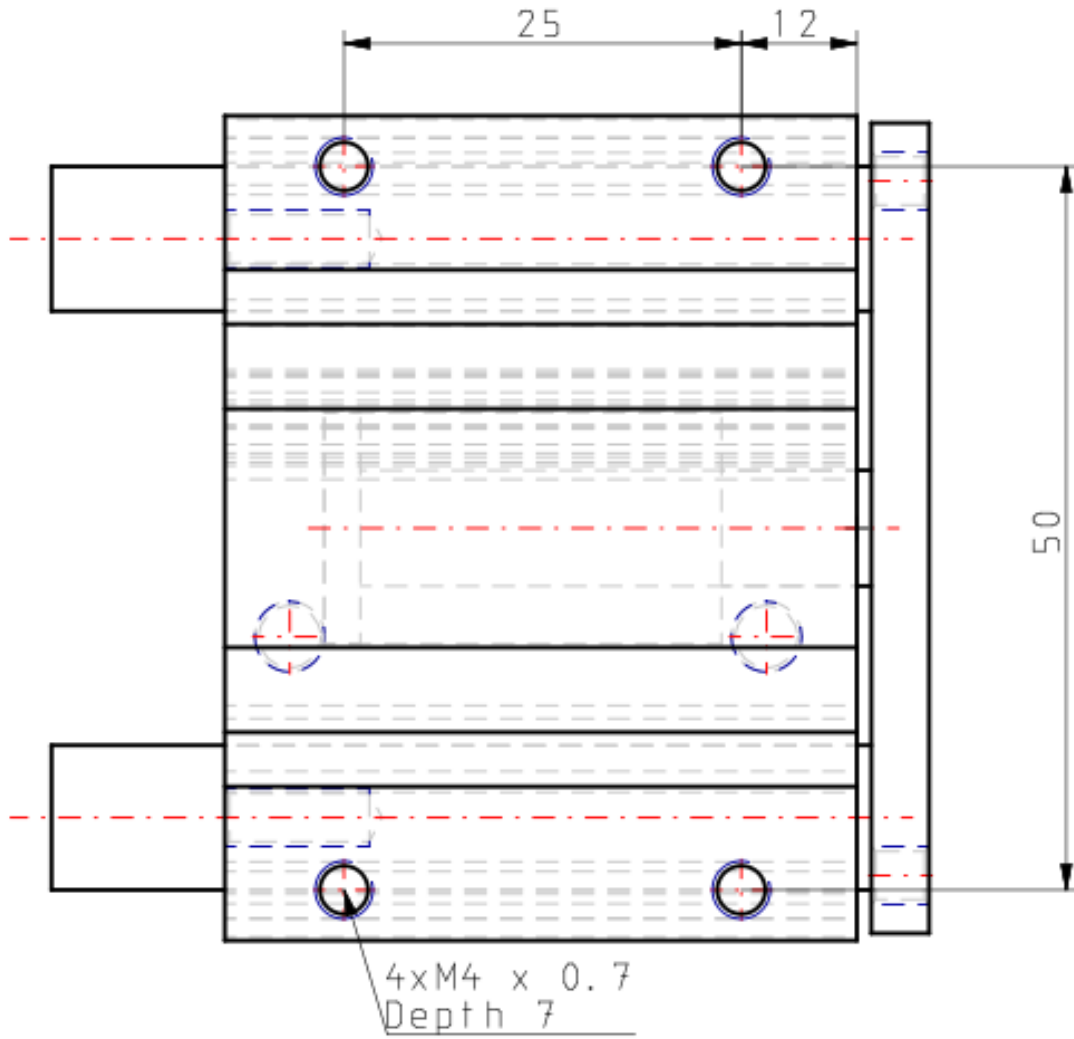
Bore Size	12 mm
Thread Type	Metric (Bore ø12 to ø16) & Rc(PT)
Stroke	20
Auto Switch	No Switch
Lead Wire or Prewired Connector	0.5m (Or None in the Case of No Switch)
Number	2 pcs. (Or None in the Case of No Switch)
Rod End Options	None
Temperature Resistance	None
Low Speed	None
Pressure medium	Air
Maximum temperature of pressure medium	60 °C
Maximum temperature of pressure medium with magnet	-10 °C (No freezing)
Maximum operating pressure	1.0 MPa
Minimum operating pressure	0.12 MPa
Proof pressure	1.5 MPa
Maximum ambient temperature	60 °C
Minimum ambient temperature	-10 °C (No freezing)
Number of pneumatic connections	2 pcs.

Pneumatic input connection	M5 x 0.8
Mode of operation of drive	Double acting
Theoretical cylinder force, advance stroke (at 0.5 MPa)	57 N
Theoretical cylinder force, return stroke (at 0.5 MPa)	43 N
Maximum piston speed	500 mm/s
Type of cushioning	Rubber bumper on both ends
Minimum piston speed	50 mm/s
Non-rotating accuracy of plate	$\pm 0.10^\circ$
Lubrication	Non-lube
Weight	0.260 Kg

Dimensions



Specifications are subject to change without prior notice and any obligation on the part of the manufacturer.



Additional information

Catalogue

[MGQ_EU.pdf](#)