

KKA*P-*M, S-Couplers, Stainless Steel, Male Thread

KKA4P-04M

Datasheet

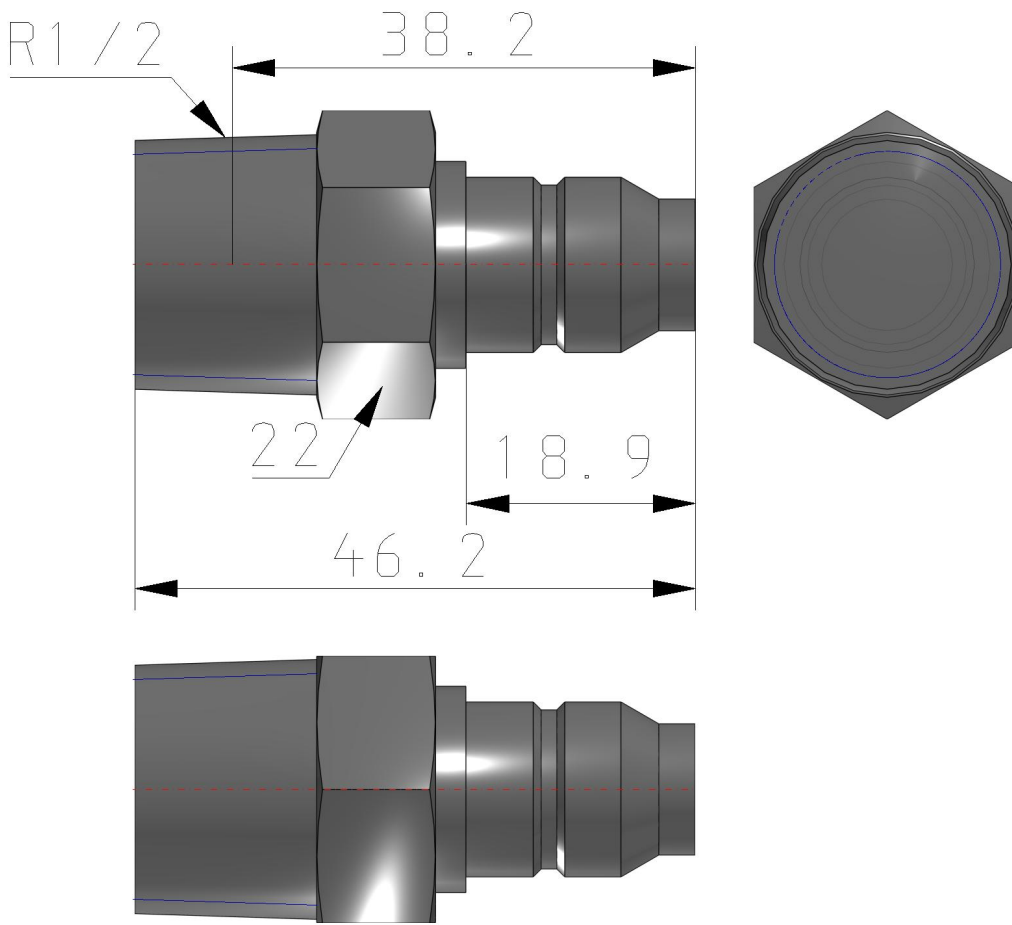
General series information

- Male thread.
- Body size: 1/8, 1/4, 1/2, 3/4, 1, 1 1/4.
- Applicable Port Size: R1/8, R1/4, R3/8, R1/2, R3/4, R1, R1 1/4, R1 1/2.

Standard specifications

| | |
|-----------------------------|--|
| Body Size | 4 (1/4) |
| Port Size | R 1/2 |
| Built-in Check Valve | w/Check Valve |
| Pressure medium | Air, Water |
| Maximum operating pressure | 1.0 MPa |
| Minimum operating pressure | 0 kPa |
| Proof pressure | 10 MPa |
| Maximum ambient temperature | 150 °C (not be used with steam) |
| Minimum ambient temperature | -5 °C (with no freezing) |
| Effective Area | 26.4 mm ² |
| Sealing principle | With male thread seal |
| Non-greased specification | No grease is used. Rubber: Fluorine coated, (Metal sliding parts: Plated with fluorine-contained material) |
| Material | Metal part: Stainless steel 304, Rubber material: Fluoro rubber (Special FKM) |
| Weight | 0.066 Kg |

Dimensions



Additional information

Catalogue

[KK-C_EU.pdf](#)