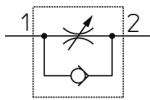


In-line - AS*2F-A AS3002F-08A

Datasheet

General series information

- Applicable Tubing O.D.: Ø 3.2 to Ø 12 mm and Ø 1/8" to Ø 1/2"
- Operating Pressure Range: 0.1 to 1 MPa.

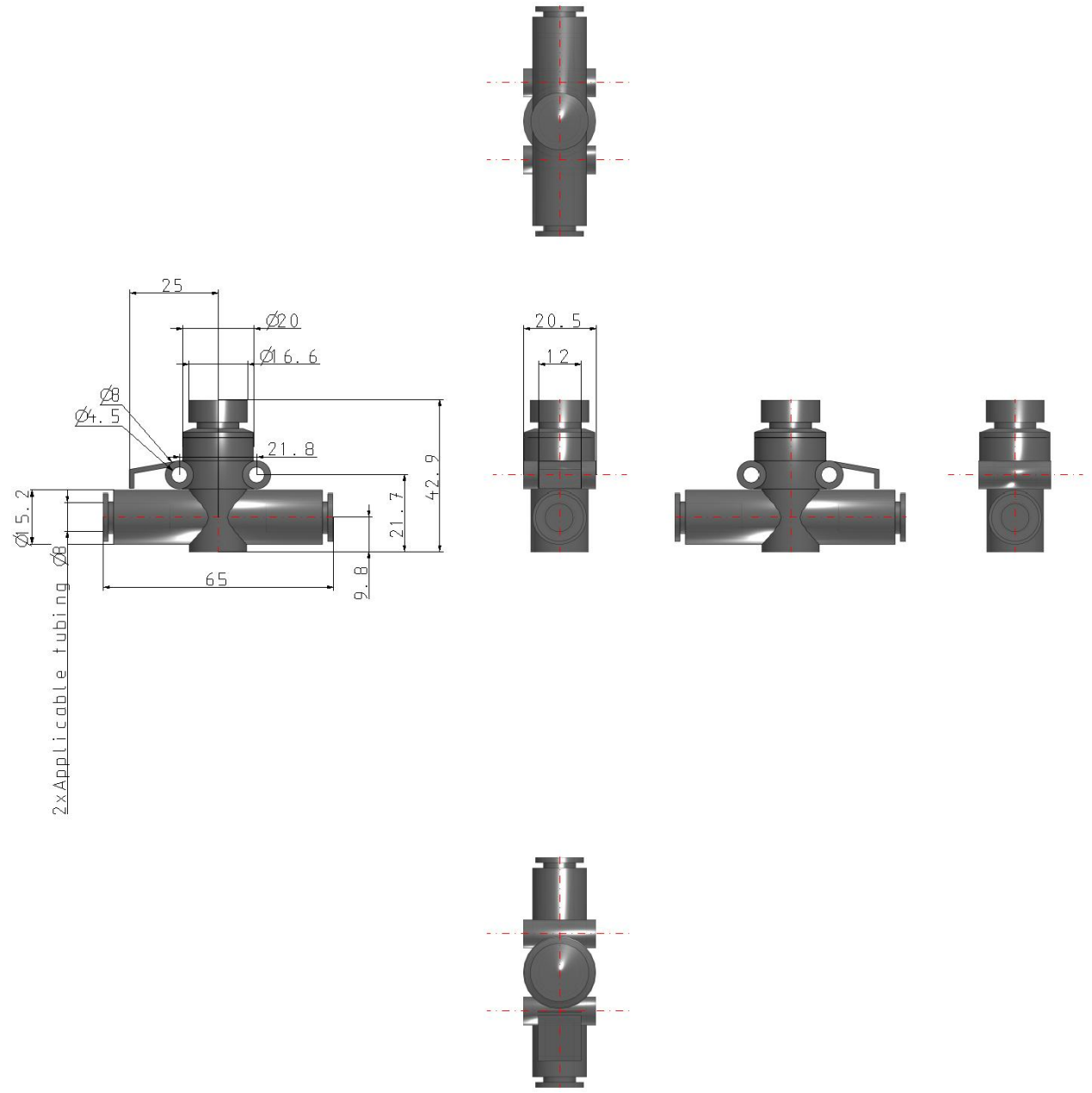


Flow control valve, adjustable, with reverse free flow

Standard specifications

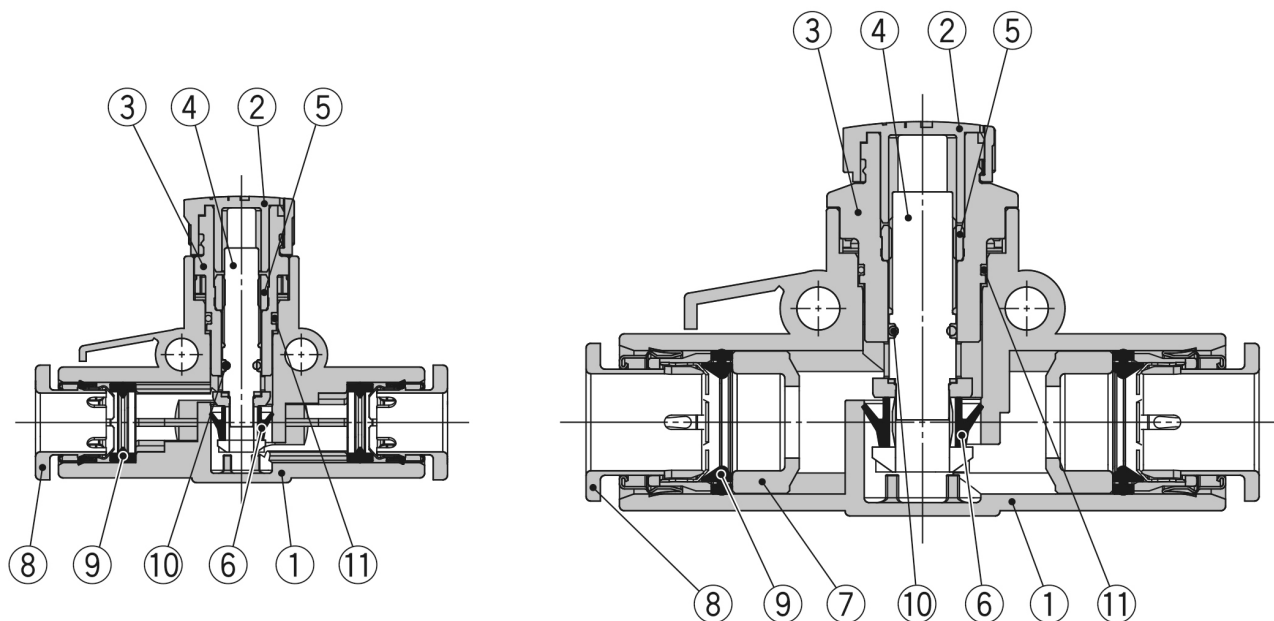
| | |
|-----------------------------|---|
| Body Size | 300 (3/8 Standard) |
| Applicable Tube O.D. | 08 (ø8) |
| Panel Mount Adapter | None |
| Pressure medium | Air |
| Maximum operating pressure | 1 MPa |
| Minimum operating pressure | 0.1 MPa |
| Proof pressure | 1.5 MPa |
| Maximum ambient temperature | 60 °C |
| Minimum ambient temperature | -5 °C |
| Applicable tubing material | Nylon, Soft nylon, Polyurethane, FEP, PFA |
| Weight | 0.020 Kg |

Dimensions



Specifications are subject to change without prior notice and any obligation on the part of the manufacturer.

Constructions



Component Parts

| No. | Description | Material | Note |
|-----|---------------------|----------|----------------------------|
| 1 | Body A | PBT | |
| 2 | Knob | POM | |
| 3 | Body B | PBT | |
| 4 | Needle | PBT | |
| 5 | Needle guide | Brass | Electroless nickel plating |
| 6 | U-seal | HNBR | |
| 7 | Spacer | PBT*1 | |
| 8 | Cassette | — | |
| 9 | Seal | NBR | |
| 10 | O-ring | NBR | |
| 11 | O-ring | NBR | |

*1 The AS3002F-11A, AS4002F-11A, AS4002F-13A are made of electroless nickel plated brass.

Additional information

Catalogue

[AS-C_in-line_EU.pdf](#)