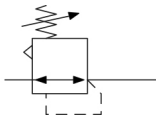


## ARM10, Small Manifold Regulator, Single Unit ARM10-06

Datasheet

- Small manifold regulator, single unit
- IN/OUT fittings: straight & elbow (metric & inch)
- Proof pressure: 1.5MPa
- Ambient temperature: 5~60°C
- Accessories: bracket, pressure gauge, panel nut
- Options: 0.35MPa setting, non-relieving, oil free

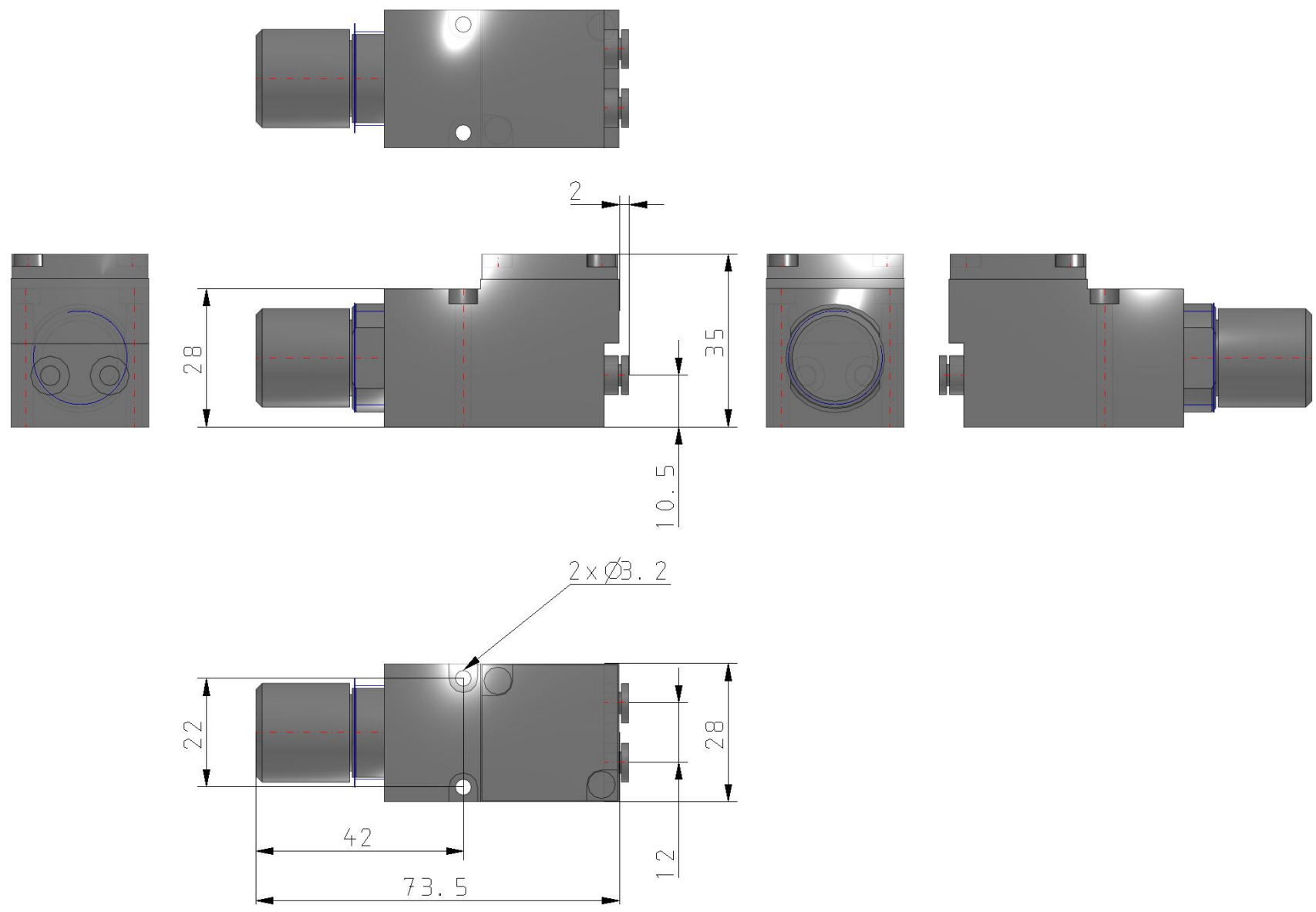


Pressure control valve, relieving pressure regulator, adjustable

### Standard specifications

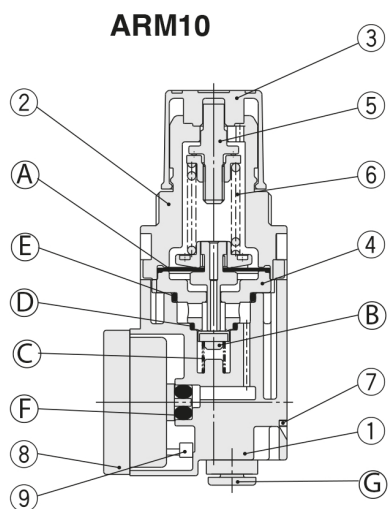
Fitting	06 (IN: Straight Ø4, OUT: Straight Ø4)
Accessory	None
Option	None
Unit	Name Plate, Pressure Gauge MPa
Digital Pressure Switch Output Specifications	None
Maximum operating pressure	1.0 MPa
Proof pressure	1.5 MPa
Set pressure range	0.05 - 0.7 MPa
Fluid	Air
Regulator construction	Direct acting
Working principle	Diaphragm regulator
Relief mechanism	Relief type
Backflow function	Within (unbalance type)
Ambient and fluid temperature	5 - 60 °C
Weight	0.058 Kg

# Dimensions



Specifications are subject to change without prior notice and any obligation on the part of the manufacturer.

## Constructions



### Component Parts

No.	Description	Material
1	<b>Body</b>	PBT
2	<b>Bonnet</b>	PBT
3	<b>Handle</b>	POM
4	<b>Valve seat</b>	POM
5	<b>Adjusting screw assembly</b>	Reinforced steel
6	<b>Adjustment spring</b>	Steel wire
7	<b>Regulator clip</b>	Stainless steel
8	<b>Blanking plate assembly</b>	—
9	<b>Square nut</b>	Steel

No.	Description	Material	Note
A	<b>Diaphragm assembly</b>	Weatherproof NBR, POM	Relieving type
			Non-relieving type
B	<b>Valve</b>	HNBR, Aluminum alloy	
C	<b>Valve spring</b>	Stainless steel	
D	<b>O-ring</b>	NBR HNBR	Standard model
			Oil-free specification
E	<b>O-ring</b>	NBR HNBR	Standard model
			Oil-free specification
F	<b>O-ring</b>	NBR HNBR NBR HNBR	Standard model
			Oil-free specification
			Standard model for digital pressure switch
			Oil-free spec. for digital pressure switch
G	<b>Fitting assembly</b>	—	

## Additional information

Catalogue

[ARM10-11\\_EU.pdf](#)

Operation manuals

[arm10\\_11\\_op\\_man\\_ar\\_-omg0039-a.pdf](#)