

KKA*S-*F, S-Couplers, Stainless Steel, Female Thread

KKA6S-04F

Datasheet

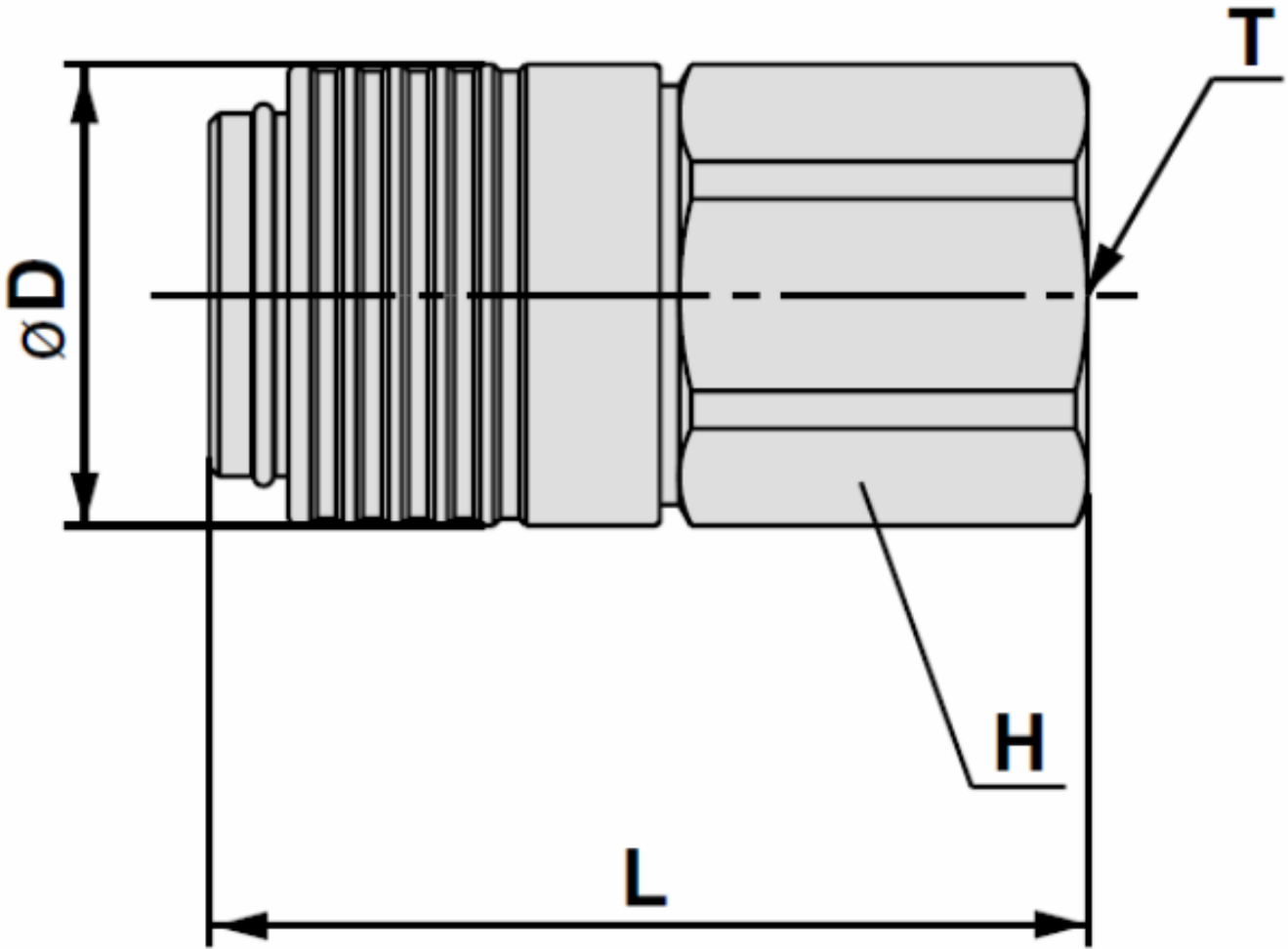
General series information

- Female thread.
- Body size: 1/8, 1/4, 1/2, 3/4, 1, 1 1/4.
- Applicable Port Size: Rc1/8, Rc1/4, Rc3/8, Rc1/2, Rc3/4, Rc1, Rc1 1/4, Rc1 1/2.

Standard specifications

| | |
|-----------------------------|--|
| Body Size | 6 (1/2) |
| Port Size | Rc 1/2 |
| Built-in Check Valve | W/Check Valve |
| Pressure medium | Air, Water |
| Maximum operating pressure | 1.0 MPa |
| Minimum operating pressure | 0 kPa |
| Proof pressure | 10 MPa |
| Maximum ambient temperature | 150 °C (not be used with steam) |
| Minimum ambient temperature | -5 °C (with no freezing) |
| Effective Area | 54.2 mm ² |
| Sealing principle | With male thread seal |
| Non-greased specification | No grease is used. Rubber: Fluorine coated, (Metal sliding parts: Plated with fluorine-contained material) |
| Material | Metal part: Stainless steel 304, Rubber material: Fluoro rubber (Special FKM) |
| Weight | 0.200 Kg |

Dimensions



Additional information

Catalogue

[KK-C_EU.pdf](#)