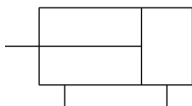


## C(D)UJ, Miniature Free Mount Cylinder CDUJB8-25D

Datasheet

### General series information

- Miniature free mount
- Space saving compact cylinder
- Available in 4mm to 20mm bore size.



Double-acting, single-rod cylinder

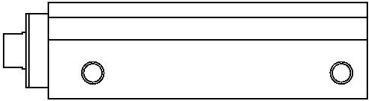
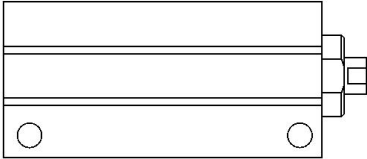
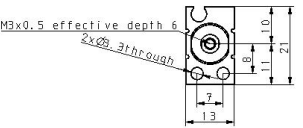
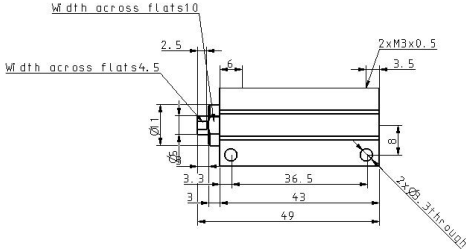
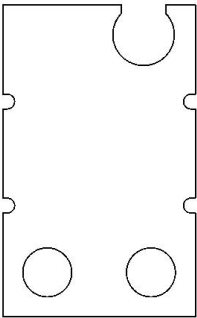
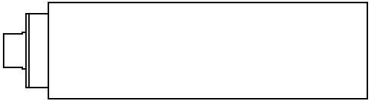
### Standard specifications

| Clean Series  | Without Clean Series                      |
|---|---|
| Magnet  | D (Built-in Magnet)                       |
| Mounting Direction                                      | B (Lateral Mounting)                      |
| Bore Size   | 8   |
| Stroke  | 25 mm                                     |
| Action  | D (Double Acting)                         |
| Rod End Thread  | Rod End Female Thread (w/o Thread for ø4) |
| Auto Switch   | No Switch                                 |
| Lead Wire or Prewired Connector                         | 0.5m (Or None in the Case of No Switch)   |
| Number  | 2 pcs. (Or None in the Case of No Switch) |
| Pressure medium   | Air                                       |
| Maximum operating pressure                              | 0.7 MPa                                   |
| Minimum operating pressure                              | 0.15 MPa                                  |
| Proof pressure  | 1.05 MPa                                  |
| Theoretical cylinder force, advance stroke (at 0.5 MPa) | 25.13 N                                   |
| Theoretical cylinder force, return stroke (at 0.5 MPa)  | 15.31 N                                   |
| Femalethread of rod end                                 | Standard                                  |
| Ambient and fluid temperature                           | -10 to 70 °C                              |
| Stroke length tolerance                                 | 0 - +0.5                                  |
| F449 - Rod_end_thread_tolerance                         | JIS class 2                               |

|                 |               |
|-----------------|---------------|
| F450 - Mounting | Through-hole  |
| Piston speed    | 50 - 500 mm/s |
| Weight          | 0.032 Kg      |

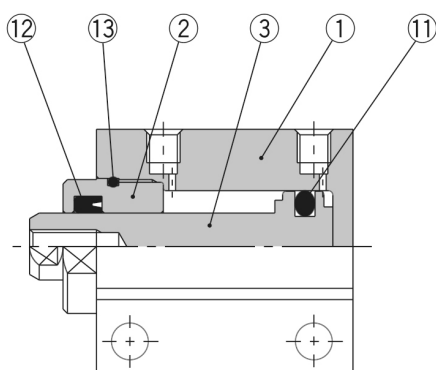
Specifications are subject to change without prior notice and any obligation on the part of the manufacturer.

# Dimensions

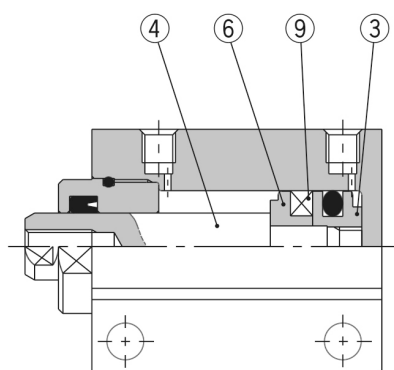


## Constructions

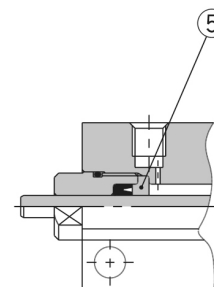
### Double Acting



Without magnet



Built-in magnet



Ø 4

### Component Parts

| No. | Description            | Material                          | Note                      |
|-----|------------------------|-----------------------------------|---------------------------|
| 1   | <b>Cylinder tube</b>   | Aluminum alloy                    | Hard anodized             |
| 2   | <b>Rod cover</b>       | Copper alloy                      | Electroless nickel plated |
| 3   | <b>Piston</b>          | Without switch<br>Stainless steel |                           |
|     |                        | With switch<br>Aluminum alloy     | Chromated                 |
| 4   | <b>Piston rod</b>      | Stainless steel                   |                           |
| 5   | <b>Seal retainer</b>   | Aluminum alloy                    | Chromated (CUJB4 only)    |
| 6   | <b>Magnet retainer</b> | Aluminum alloy                    | Chromated                 |
| 7   | <b>Return spring</b>   | Piano wire                        |                           |
| 8   | <b>Bronze element</b>  | Sintered metallic BC              |                           |
| 9   | <b>Magnet</b>          | —                                 |                           |
| 10  | <b>Rod end nut</b>     | Iron                              | Nickel plated             |
| 11  | <b>Piston seal</b>     | NBR                               |                           |
| 12  | <b>Rod seal</b>        | NBR                               |                           |
| 13  | <b>Tube gasket</b>     | NBR                               |                           |

## Additional information

Catalogue

[CUJ-C\\_EU.pdf](#)

Operation manuals

[cuj\\_cuj\\_-om0001j.pdf](#)