

## AL10-60-A, Lubricator AL20-F01B-A

### Datasheet

### General series information

- Body sizes available: 10 ~ 60
- Thread type: M5, Rc(PT), NPT, G(PF)
- Port sizes: M5, 1/8, 1/4, 3/8, 1/2, 3/4, 1



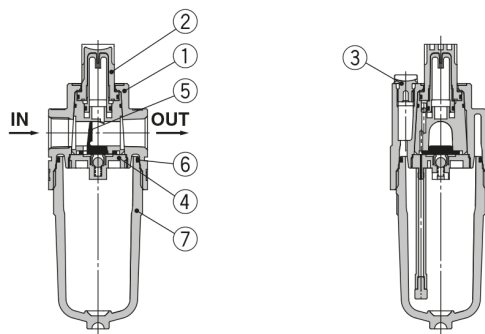
Lubricator

### Standard specifications

Size	20
Thread	F (G)
Port Size	01 (1/8)
Accessory	B (Bracket)
Bowl/Lubricant exhaust port/Flow direction	Standard
Pressure Unit	Name Plate, Caution on Bowl (MPa)
Pressure medium	Air
Maximum temperature of pressure medium	60 °C
Minimum temperature of pressure medium	-5 °C (with no freezing)
Maximum operating pressure	1.0 MPa
Proof pressure	1.5 MPa
Maximum ambient temperature	60 °C
Minimum ambient temperature	-5 °C (with no freezing)
Conform to the European RoHS Directive	Conform
Oil capacity	25 cm <sup>3</sup>
Max. Flow rate (inlet pressure = 1.0 MPa)	4881 l/min
Recommended lubricant	Class 1 turbine oil (ISO VG32)
Weight	0.139 Kg

## Constructions

### AL20-A



#### Component Parts

No.	Description	Material	Model	Colour
1	Body	Zinc die-cast	AL10-A	White
		Aluminium die-cast	AL20-A to AL60-A	
8	Housing	Aluminium die-cast	AL50-A/AL60-A	White

#### Replacement Parts

No.	Description	Material	Part no.						
			AL10-A	AL20-A	AL30-A	AL40-A	AL40-06-A	AL50-A	AL60-A
2	Sight dome assembly	Polycarbonate	AL10P-080AS	AL20P-080AS					
3	Lubrication plug assembly	—	—	AL22P-060AS	AL32P-060AS	AL42P-060AS			
4	Bumper retainer assembly	—	—	AL20P-030AS	AL30P-030AS	AL40P-030AS	AL50P-030AS	AL60P-030AS	
5	Bumper (assembly)	Synthetic resin	—	AL20P-040S	AL30P-040S	AL40P-040S	AL50P-040AS	AL60P-040AS	
6	Bowl seal	NBR	C1SFP-260S	C2SFP-260S	C32FP-260S	C42FP-260S			
7	Bowl assembly*1	Polycarbonate	C1SL-A	C2SL-A	C3SL-A	C4SL-A			

\*1 · Bowl seal is included for the AL20-A to AL60-A. Please consult with SMC separately for psi and °F unit display specifications.

· Bowl assembly for the AL30-A to AL60-A models comes with a bowl guard (Material: Polycarbonate).

## Additional information

Catalogue

[AC-B-B\\_EU.pdf](#)

Operation manuals

[AL-OMQ0006\\_EN-C.pdf](#)