

Standard - MHF2 MHF2-16D1R

Datasheet

General series information

- Maximum gripping force per finger 141 N at 0.5 MPa
- Double acting
- Repeatability: ± 0.05 mm
- Max. operating frequency: 120 c.p.m.



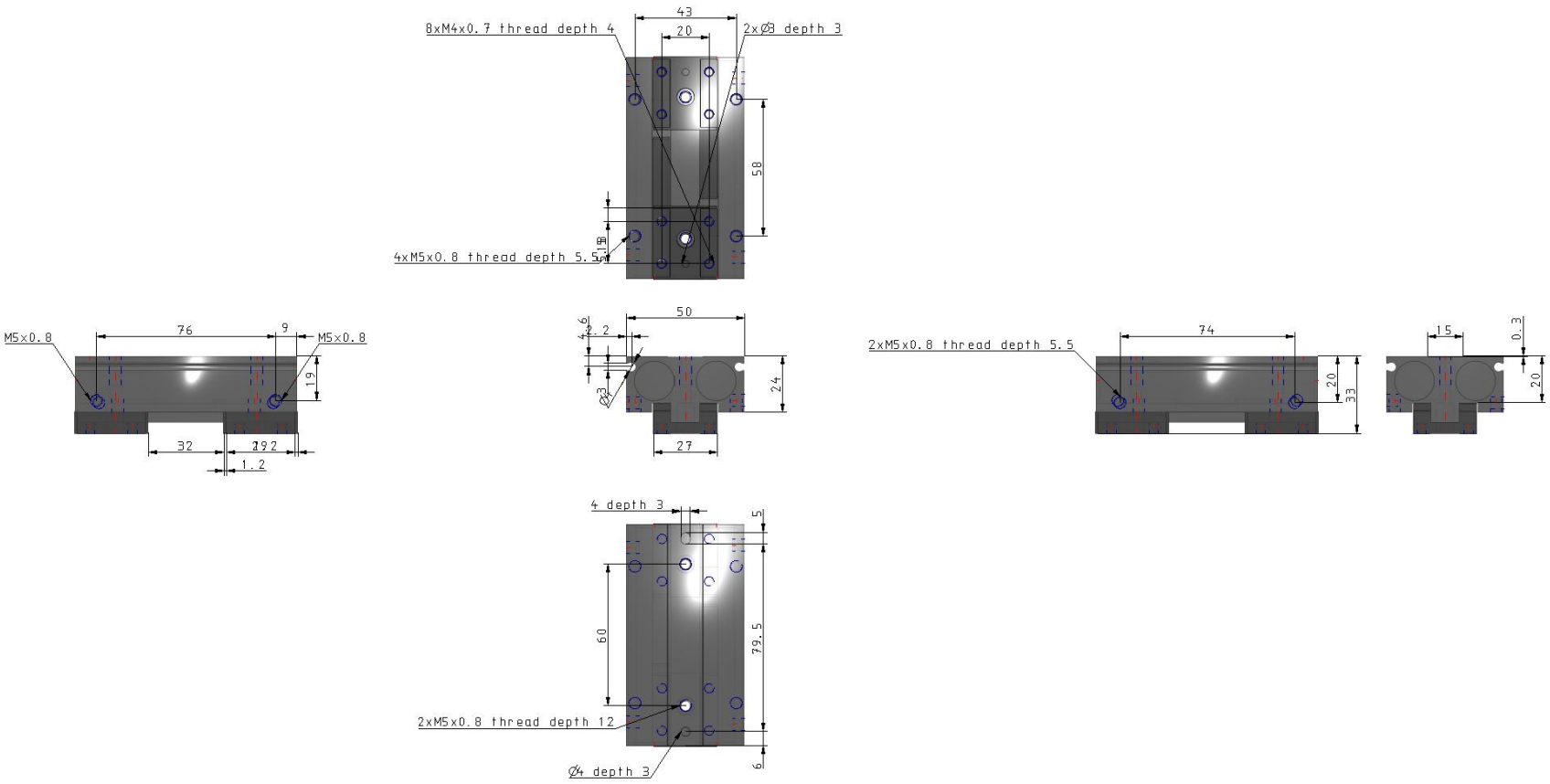
Gripper, external grip, double-acting with permanent magnet on piston

Standard specifications

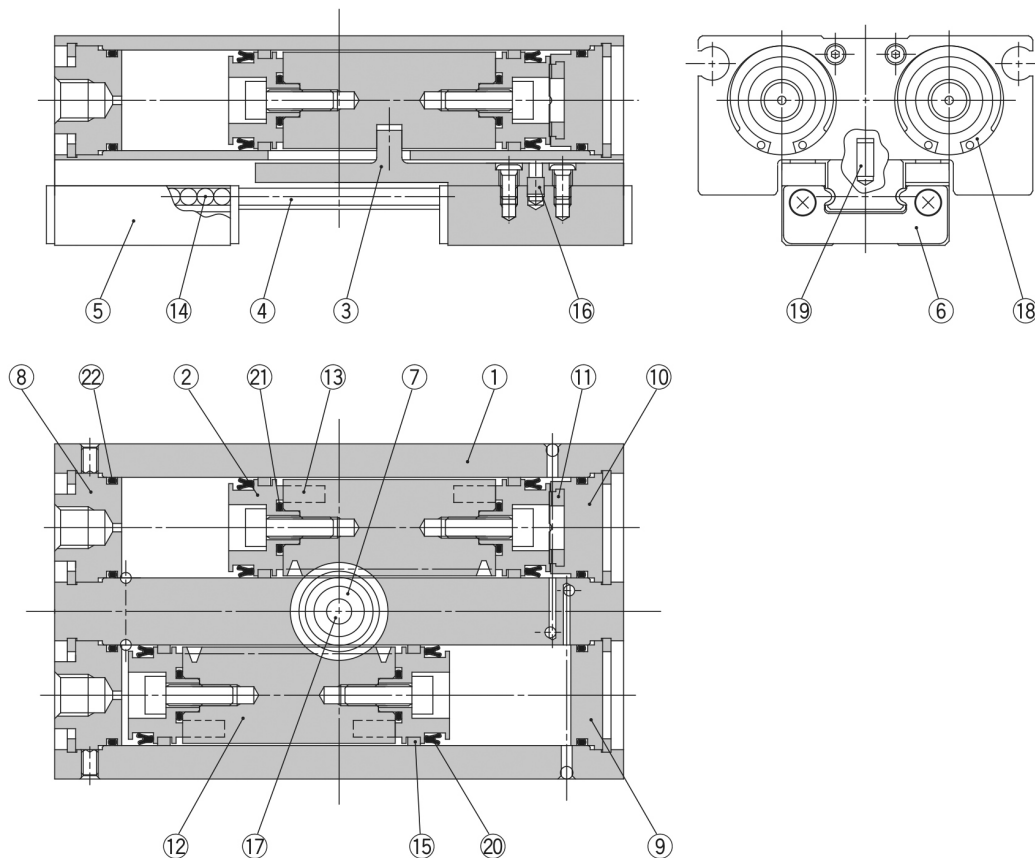
| | |
|--|--|
| Bore Size | 16mm |
| Opening & Closing Stroke | 1 (Middle Stroke) |
| Body Option | R (Side Ported Type) |
| Auto Switch | No Switch |
| Lead Wire or Prewired Connector | 0.5m (Or None in the Case of No Switch) |
| Number | 2 pcs (Or None in the Case of No Switch) |
| Option | None |
| Stroke Adjustable Side | None |
| Stroke Adjustable Width | None |
| Pressure medium | Air |
| Maximum temperature of pressure medium | 60 °C |
| Minimum temperature of pressure medium | -10 °C (No freezing) |
| Maximum operating pressure | 0.7 MPa |
| Minimum operating pressure | 0.1 MPa |
| Maximum ambient temperature | 60 °C |
| Minimum ambient temperature | -10 °C (No freezing) |
| Number of pneumatic connections | 2 pcs. |
| Pneumatic input connection | M5 |
| Pneumatic exhaust connection | M5 |

| | |
|--|---------------|
| Repeatability | ± 0.05 mm |
| Lubrication | Non-lube |
| Type of gripper | Parallel |
| Number of fingers | 2 |
| Mode of operation | Double acting |
| Maximum operating frequency | 120 c.p.m. |
| Effective holding force per finger (0.5 MPa) | 90 N |
| Opening / closing stroke (both sides) | 32 mm |
| Weight | 0.433 Kg |

Dimensions



Constructions



Parts list

| No. | Description | Material | Note |
|-----|-----------------------|-----------------|----------------|
| 1 | Body | Aluminium alloy | Hard anodized |
| 2 | Piston | Aluminium alloy | Clear anodized |
| 3 | Joint | Stainless steel | Heat treatment |
| 4 | Guide rail | Stainless steel | Heat treatment |
| 5 | Finger | Stainless steel | Heat treatment |
| 6 | Roller stopper | Stainless steel | |
| 7 | Pinion | Carbon steel | Nit riding |
| 8 | Cap A | Aluminium alloy | Clear anodized |
| 9 | Cap B | Aluminium alloy | Clear anodized |
| 10 | Cap C | Aluminium alloy | Clear anodized |
| 11 | Head damper | Urethane rubber | |
| 12 | Rack | Stainless steel | Nit riding |

Parts list

| No. | Description | Material | Note |
|-----|------------------------------------|------------------------------------|---------------|
| 13 | Magnet | Tare earth magnet | Nickel plated |
| 14 | Steel balls | High carbon chromium bearing steel | |
| 15 | Wear ring | Synthetic resin | |
| 16 | ø12: Roller | High carbon chromium bearing steel | |
| | ø16 to 20: Parallel pin | Stainless steel | |
| 17 | Needle roller | High carbon chromium bearing steel | |
| 18 | ø12: R shape snap ring | Carbon steel | Nickel plated |
| | ø16 to 20: C type snap ring | | |
| 19 | Parallel pin | Stainless steel | |
| 20 | Piston seal | NBR | |
| 21 | Gasket | NBR | |
| 22 | Gasket | NBR | |

Additional information

| | |
|-------------------|---|
| Catalogue | MHF2-B_EU.pdf |
| Operation manuals | OM_MHF2_OMF0021EN-A.pdf |