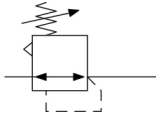


AR20(*)-B to AR60(*)-B, Regulator & Regulator w/Backflow Function AR25-F03-B

Datasheet

General Series Information

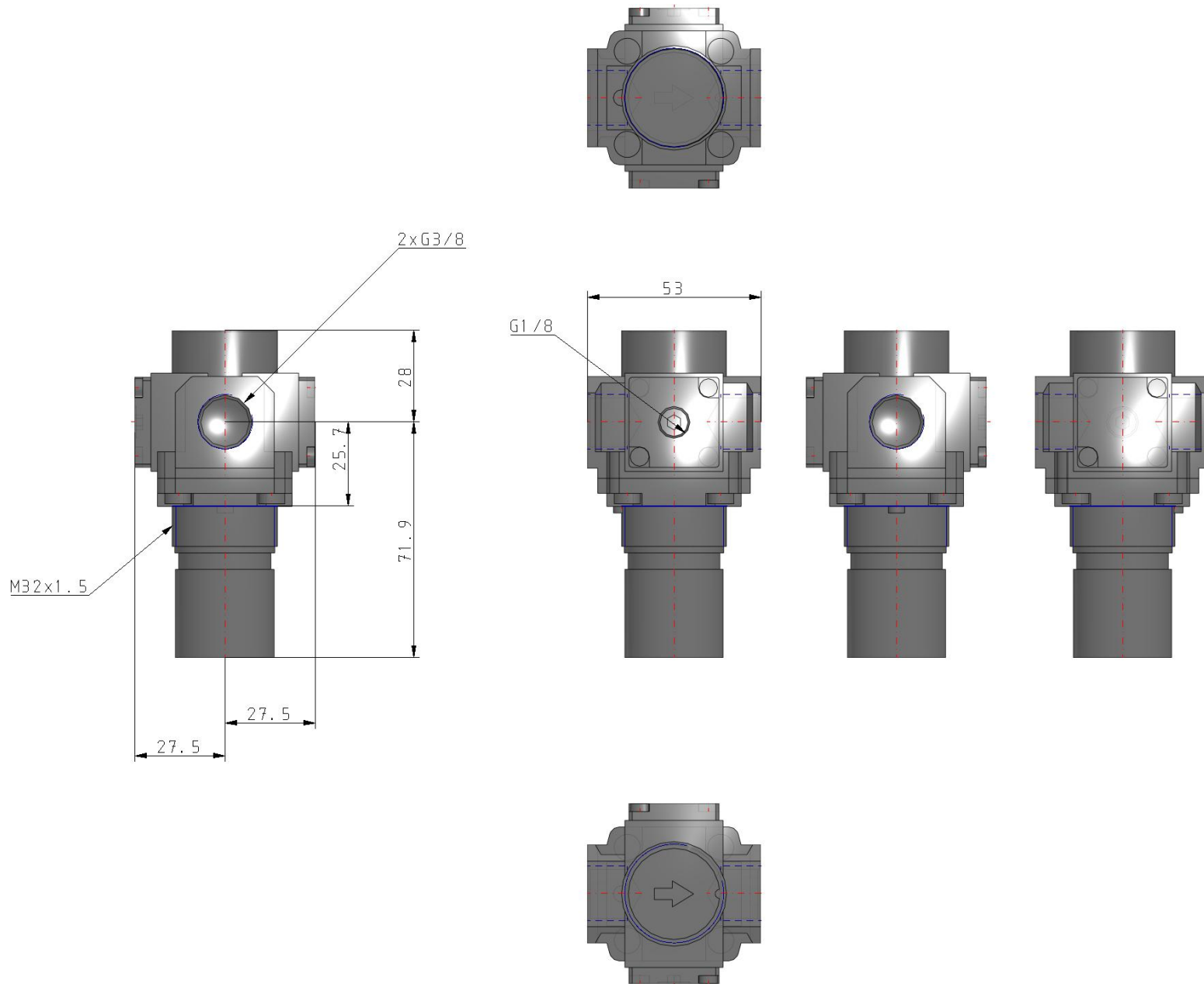


Pressure control valve, relieving pressure regulator, adjustable

Standard specifications

| | |
|----------------------------|----------|
| Made to Order 1 | None |
| Body Size | 25 |
| Backflow Function | None |
| Thread | F (G) |
| Port | 03 (3/8) |
| Option | Standard |
| Semi-standard | Standard |
| Made to Order 2 | None |
| - | Air |
| Maximum operating pressure | 1.0 MPa |
| Proof pressure | 1.5 MPa |
| Weight | 0.216 Kg |

Dimensions

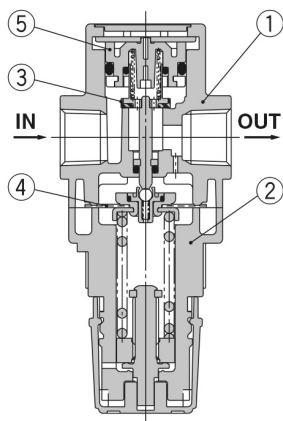


Specifications are subject to change without prior notice and any obligation on the part of the manufacturer.

Constructions

Construction

AR20(K)-B/AR25(K)-B



Component Parts

| No. | Description | Material | Model | Colour |
|-----|-------------|--------------------|---|--------|
| 1 | Body | Zinc die-cast | AR10-A | White |
| | | Aluminium die-cast | AR20(K)-B to AR60(K)-B | |
| 2 | Bonnet | Polyacetal | AR10-A | White |
| | | Aluminium die-cast | AR20(K)-B to AR40(K)-B AR50(K)-B/ AR60(K)-B | |

Replacement Parts

[AR10-A]

| No. | Description | Material | Part no. |
|-----|----------------------|------------|-------------|
| 3 | Valve | HNBR | AR10P-090S |
| 4 | Piston assembly | Polyacetal | AR10P-150AS |
| 5 | Valve guide assembly | Polyacetal | 131329 |

[AR20(K)-B to AR60(K)-B]

| No. | Description | Material | Part no. | |
|-----|------------------------------------|-----------------|--------------|-------------|
| | | | AR20(K)-B | AR25(K)-B |
| 3 | Valve | Brass, HNBR | AR20P-410S | AR25P-410S |
| 4 | Diaphragm assembly | Weatherable NBR | AR20P-150AS | AR25P-150AS |
| 5 | Valve guide assembly | Polyacetal | AR20P-050AS | AR25P-050AS |
| 6 | Check valve assembly ^{*1} | — | AR23KP-020AS | |

^{*1} Check valve assembly is applicable for a regulator with backflow function (AR20K-B to AR60K-B) only.
 Assembly of a check valve cover, check valve body assembly and 2 mounting screws

Additional information

| | |
|----------------------|--|
| Catalogue | AC-B-B_EU.pdf |
| Installation manuals | IM_ARx_SMV43EN.pdf |
| Operation manuals | OM_AR-B_OMS0056EN.pdf OM_ARxK-B_OMT0015EN.pdf |