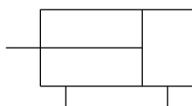


MK-Z Rotary Clamp Cylinder, Standard w/Auto Switch Mounting Grooves MKB40-30LZ

Datasheet

Following customer requests for range of easy to maintain rotary clamp cylinders with a good selection of stroke variations and dual mounting options, our R&D engineers have simply taken the best features of two existing SMC products – Series MK and MK2 - and put them together in our newly amalgamated and improved Series MK. Available in bore sizes from 12 to 63mm and in clamp stroke lengths up to 50mm depending on the selected model, the new MK Series helps answer our customer's needs with the option of both body and through hole mounting selections and easy maintenance possibilities with fully replaceable seals and guide pins. Designed for use with our compact D-M9 auto switch, which can be mounted on all four sides (only 2 sides in the case of 20 and 25mm) these new rotary clamp cylinders when required can also be used in conjunction with our magnetic field resistant auto switch Series D-P3DW.



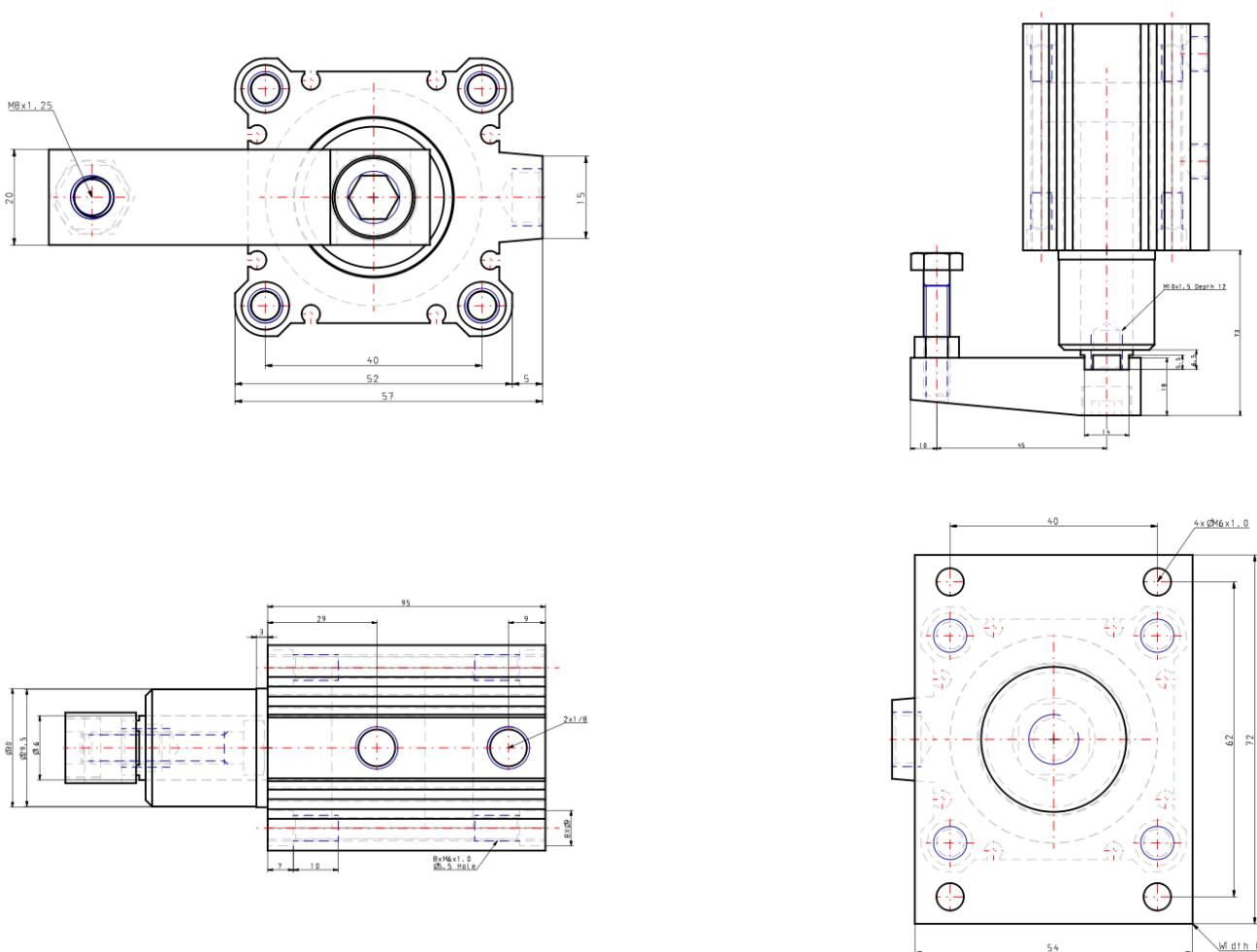
Double-acting, single-rod cylinder

Standard specifications

Mounting	B (Through-hole/Both Ends Tapped Common, Basic)
Bore Size	Ø40 mm
Port Thread	M thread: ø12 to ø25, Rc: 32 to 63
Clamp Stroke	30 mm
Rotary Direction	L (Counterclockwise)
Body Option	Standard (Female Thread)
Auto Switch	No Switch
Lead Wire or Prewired Connector	0.5m [Or None in the Case of No Switch]
Number	2 pcs. [Or None in the Case of No Switch]
Made to Order	None
Pressure medium	Air
Maximum temperature of pressure medium	70 °C
Maximum temperature of pressure medium with magnet	60 °C
Minimum temperature of pressure medium	-10 °C (No freezing)
Minimum temperature of pressure medium with magnet	-10 °C (No freezing)

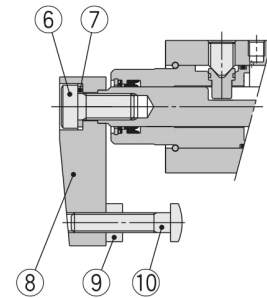
Maximum operating pressure	1.0 MPa
Minimum operating pressure	0.1 MPa
Proof pressure	1.5 MPa
Maximum ambient temperature	70 °C
Maximum ambient temperature with magnet	60 °C
Minimum ambient temperature	-10 °C (No freezing)
Minimum ambient temperature with magnet	-10 °C (No freezing)
Numero of pneumatic connections	2 pcs.
Pneumatic input connection	R 1/8
Pneumatic exhaust connection	R 1/8
Mode of operation of drive	Double acting
Theoretical cylinder force, advance stroke (at 0.5 MPa)	628 N
Theoretical cylinder force, return stroke (at 0.5 MPa)	528 N
Maximum piston speed	200 mm/s
Type of cushioning	Rubber bumper
Piston rod end	Female thread
Female thread of rod end	M10
Weight	0.623 Kg

Dimensions

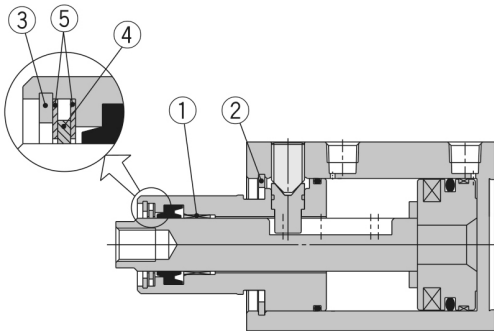


Constructions

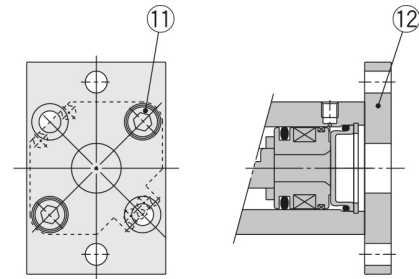
With arm (N)



New MK40 to 63



Head flange (G)



Component Parts

No.	Description	Material	Note
1	Bushing	Copper bearing material	
2	Round R-type retaining ring	Carbon tool steel	
3	Round R-type retaining ring	Carbon tool steel	
4	Coil scraper	Phosphor bronze	
5	Scraper pressure	Stainless steel	
6	Hexagon socket head cap screw	Chromium molybdenum steel	
7	Spring washer	Hard steel	
8	Arm	Rolled steel	
9	Hexagon nut	Rolled steel	
10	Clamp bolt	Chromium molybdenum steel	
11	Hexagon socket head cap screw	Chromium molybdenum steel	ø40: 4 pcs.
12	Flange	Rolled steel	

Additional information

Catalogue

[MK-A_EU.pdf](#)