

Improved Design - MHL2-Z MHL2-25DZ

Datasheet

General series information

- Maximum gripping force per finger 396 N at 0.5 MPa
- Double acting
- Repeatability: ± 0.1 mm
- Max. operating frequency: 60 c.p.m.

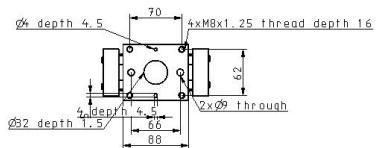
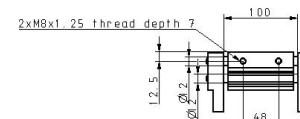
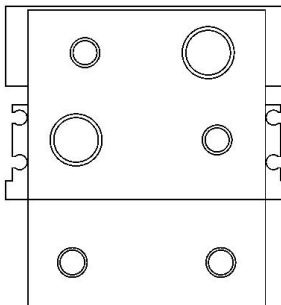
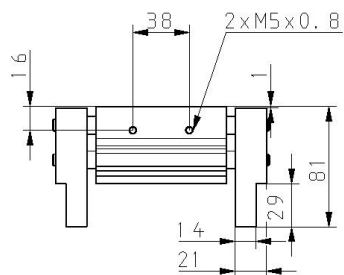
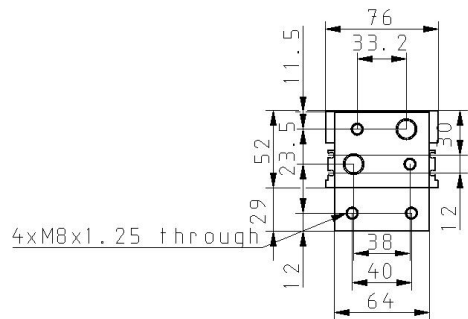
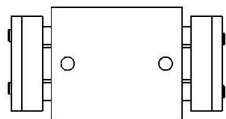


Gripper, external grip, double-acting with permanent magnet on piston

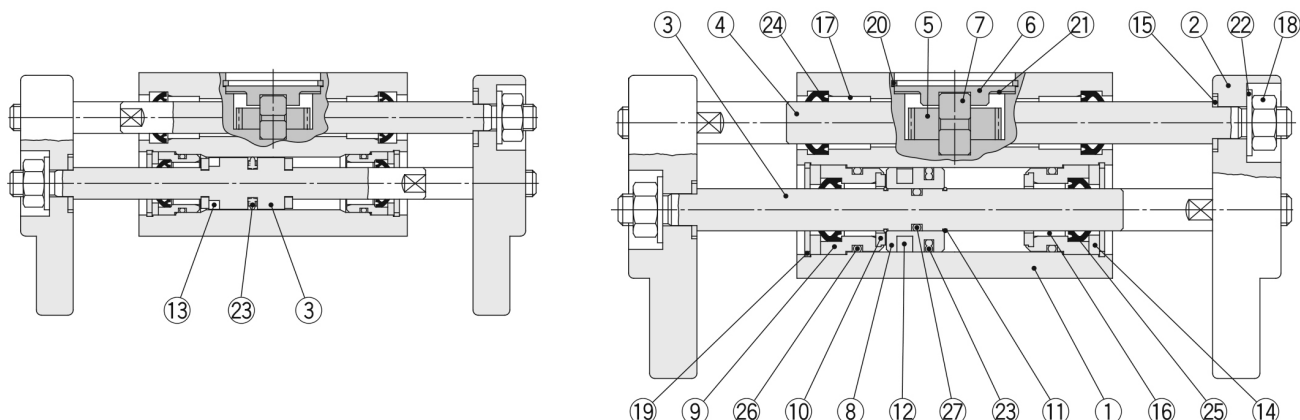
Standard specifications

Bore Size	25mm
Thread	M thread: $\varnothing 10$ to $\varnothing 25$, Rc: 32 to 40
Opening/Closing Stroke	Short
Auto Switch	No Switch
Lead Wire or Prewired Connector	0.5m (Or None in the Case of No Switch)
Number	2 pcs. (Or None in the Case of No Switch)
Made to Order	None
Maximum operating pressure	0,6 MPa
Minimum operating pressure	0,1 MPa
Maximum ambient temperature	60 °C
Minimum ambient temperature	-10 °C (No freezing)
Repeatability	+ - 0,1 mm
Lubrication	Non-Lube
Circulating fluid	Air
Effective holding force per finger (0.5 MPa)	131 N
Action	Double Acting
Weight	1.565 Kg

Dimensions



Constructions



Component Parts

No.	Description	Material	Note
1	Body	Aluminium alloy	Hard anodised
2	Finger	Aluminium alloy	Hard anodised
3	Piston rod	Stainless steel	
4	Rack	Stainless steel	
5	Pinion	Carbon steel	
6	Pinion cover	Carbon steel	Electroless nickel plating
7	Pinion axis	Stainless steel	
8	Piston	Aluminium alloy	Hard anodised
9	Rod cover	Aluminium alloy	Trivalent chromated
10	Bumper	Urethane rubber	
11	Clip	Stainless steel spring wire	
12	Rubber magnet	Synthetic rubber	
13	Magnet	—	Nickel plating
14	Rod seal cover B	Cold rolled carbon steel sheet	Electroless nickel plating

No.	Description	Material	Note
15	Washer	Stainless steel	
16	Bearing	Oil containing polyacetal	
17	Bearing	Oil containing polyacetal	
18	U-nut	Carbon steel	Trivalent chromated
19	Inverted internal retaining ring	Carbon steel	Phosphate coating
20	C type retaining ring	Carbon steel	Phosphate coating
21	Wave washer	Steel for spring	Phosphate coating
22	Conical spring washer	Carbon steel	
23	Piston seal	NBR	
24	Rod seal	NBR	
25	Rod seal	NBR	
26	Gasket	NBR	
27	Gasket	NBR	

Additional information

Catalogue

[MHL2-B_EU.pdf](#)