

## ITV1000/2000/3000, Electro-Pneumatic Regulator ITV2050-31F2BS3

### Datasheet

- Pressure range: 0.005 to 0.9 MPa
- Maximum flow rate: 4000 l/min (ANR)
- Port sizes: 1/8, 1/4, 3/8, 1/2
- Applicable fieldbus protocols: IO-Link, CC-Link, DeviceNet™, PROFIBUS, RS-232C.

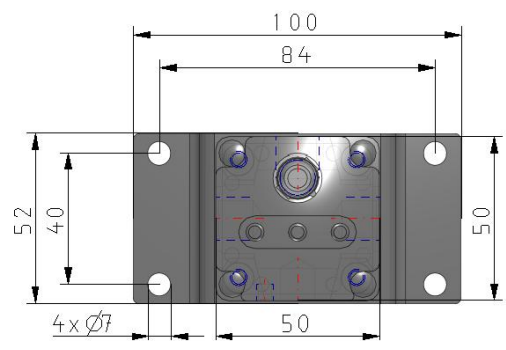
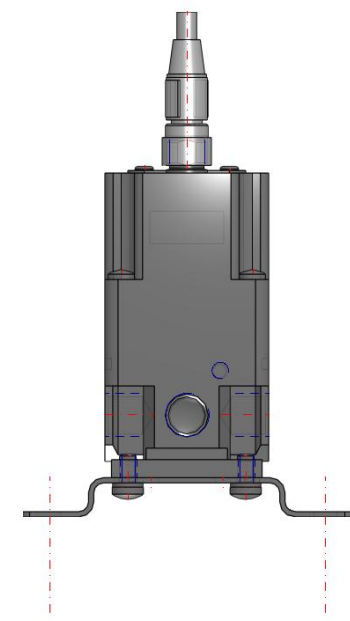
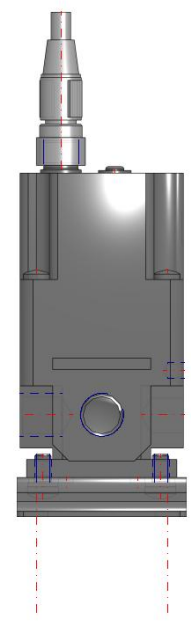
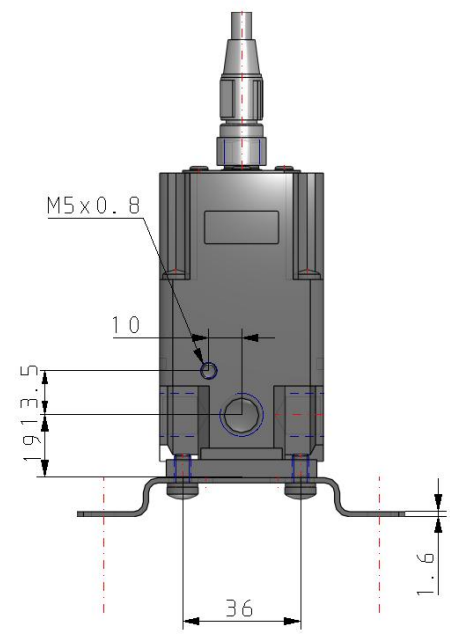
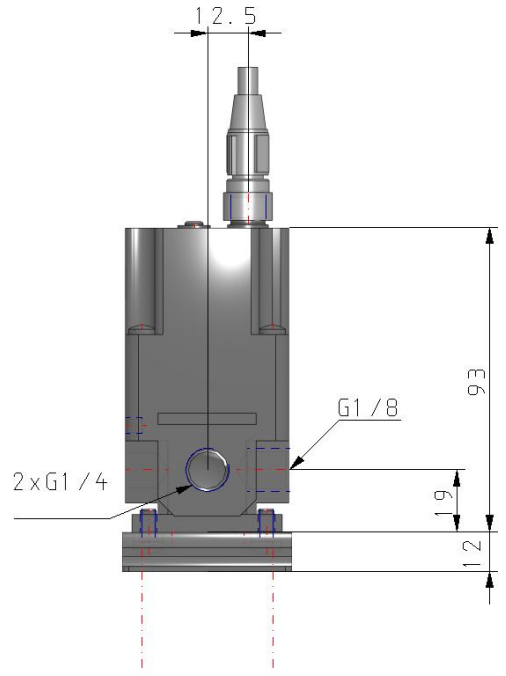
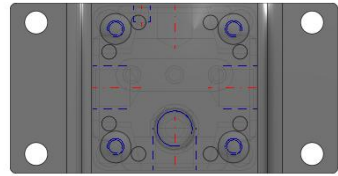
*Electro-pneumatic regulator*

### Standard specifications

Model	20 (1500 L/min)
Pressure Range	5 (0.005~0.9MPa)
Power Voltage	0 (24VDC)
Input Signal	3 (Voltage Style 0~10VDC)
Monitor Output	1 (Analogue Output 1~5VDC)
Thread	F (G[PF])
Port Size	2 (1/4 [2000,3000])
Accessory	B (Flat Bracket)
Cable Connector	S (Straight Style 3m)
Pressure Display Unit	3 (Bar)
Options	None
Maximum temperature of pressure medium	50 °C
Minimum temperature of pressure medium	0 °C
Maximum operating pressure	1.0 MPa
Minimum operating pressure	0.1 MPa
Maximum ambient temperature	50 °C
Minimum ambient temperature	0 °C
Approvals	CE
Protection class with connector	IP65
Flow rate of secondary exhaust	1500 NI/min

Min. supply pressure	Set pressure +0.1 MPa
Accuracy	±2%F.S. ±1 digit
Output signal Analogue	1 to 5 VDC (Output impedance: Approximately 1 kΩ) Output accuracy within ±6% (Full span)
Weight	0.619 Kg

# Dimensions



Specifications are subject to change without prior notice and any obligation on the part of the manufacturer.

## Additional information

Catalogue	<a href="#">ITV-G_EU.pdf</a>
Declaration of conformity	<a href="#">DoC_ITVx_TF00023-B.pdf</a> <a href="#">newDoC_ITV2_TF1Y002EN.pdf</a> <a href="#">newDoC_ITV2000_3000_TF1Y106EN.pdf</a> <a href="#">newDoC_ITV2000_3000_TF1V093EN.pdf</a>
Installation manuals	<a href="#">IM_ITV2-IL-TF2Z014EN.pdf</a> <a href="#">IMM_ITV3000_54GB-A.PDF</a> <a href="#">IM_ITV2-IO_SMY17EN.pdf</a> <a href="#">IMM_ITVx_TF112GB-A.pdf</a>
Operation manuals	<a href="#">OM_ITV2_CC-Link_EN-B.pdf</a> <a href="#">OM_ITV2_OM00068EN-C.pdf</a> <a href="#">om_itv000_om005en-e.pdf</a> <a href="#">OM_ITV2_RS-232C_EN.pdf</a> <a href="#">OM_ITV2_OM00109EN-C.pdf</a> <a href="#">OM_ITV2_DeviceNet_EN-C.pdf</a> <a href="#">OM_ITV2_OM00112EN-C.pdf</a> <a href="#">OM_ITV2_PROFIBUS-DP_EN-A.pdf</a>