

## C(D)QM (ø40 to ø100), Compact Cylinder, Guide Rod Type CDQMB63TF-50

Datasheet

### General series information

- Guide rod type compact cylinder
- Bore sizes (mm): 40, 50, 63, 80, 100
- Standard strokes (mm): 5 to 100
- 4 times the lateral load resistance of the CQ2K
- Non-rotating accuracy 0.2 or less



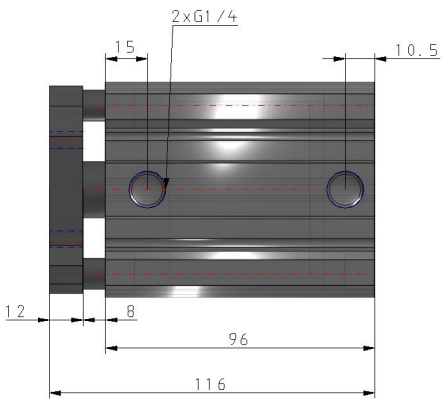
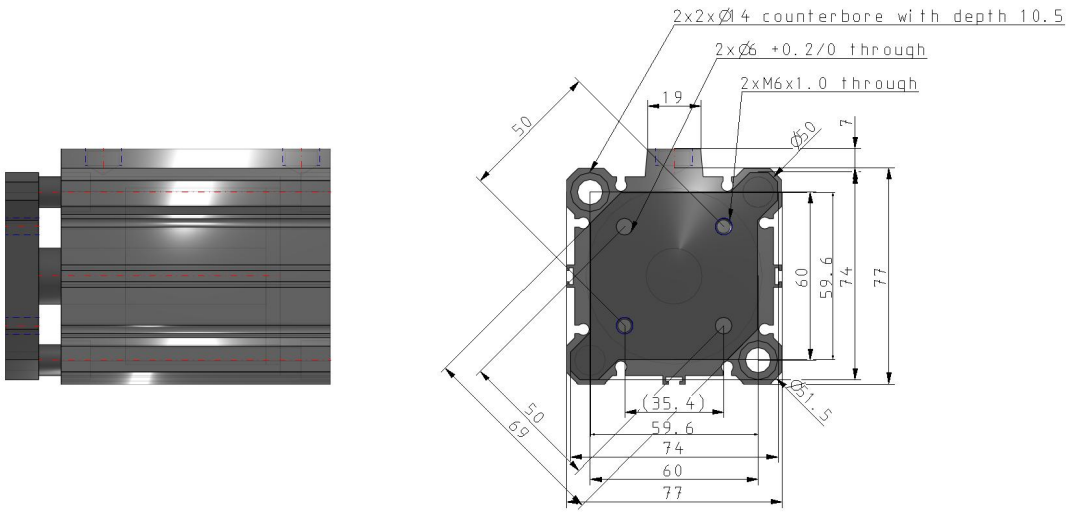
*Double-acting cylinder with cushioning adjustable at both ends, single piston rod*

### Standard specifications

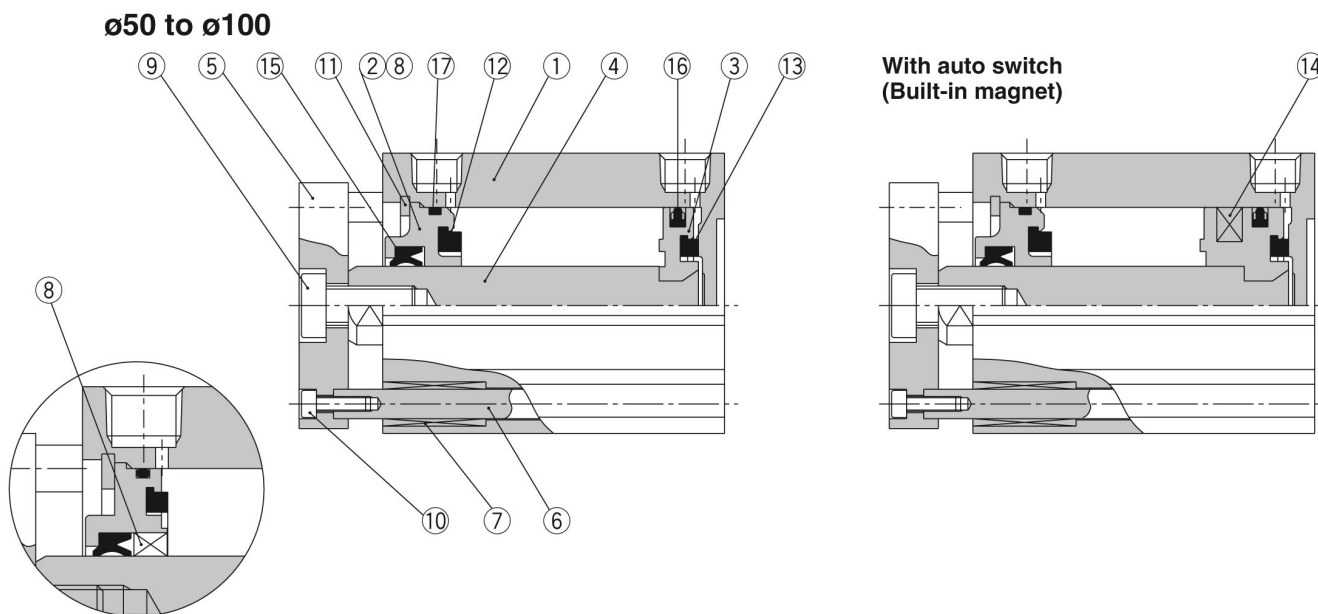
|  |   |
|--|---|
| Magnet   | D (Built-in)                              |
| Mounting   | B [Through Hole (Standard)]               |
| Bore Size  | Ø63 mm                                    |
| Port Thread  | TF [G]                                    |
| Stroke   | 50 mm                                     |
| Auto Switch  | No Switch                                 |
| Lead Wire or Prewired Connector                    | 0.5 m (Or None in the Case of No Switch)  |
| Number   | 2 pcs. (Or None in the Case of No Switch) |
| Pressure medium                                    | Compressed air                            |
| Maximum temperature of pressure medium with magnet | 60 °C                                     |
| Minimum temperature of pressure medium with magnet | -10 °C (with no freezing)                 |
| Maximum operating pressure                         | 1.0 MPa                                   |
| Minimum operating pressure                         | 0.1 MPa                                   |
| Proof pressure                                     | 1.5 MPa                                   |
| Maximum ambient temperature with magnet            | 60 °C                                     |
| Minimum ambient temperature with magnet            | -10 °C (with no freezing)                 |
| Number of pneumatic connections                    | 2 pcs.                                    |
| Pneumatic input connection                         | G 1/4                                     |

|   |                            |
|---|----------------------------|
| Pneumatic exhaust connection                            | G 1/4                      |
| Theoretical cylinder force, advance stroke (at 0.5 MPa) | 1.560                      |
| Theoretical cylinder force, return stroke (at 0.5 MPa)  | 1.400                      |
| Maximum piston speed                                    | 300 mm/s                   |
| Type of cushioning                                      | Rubber bumper on both ends |
| Piston rod end  | Without thread             |
| Non-rotating accuracy of plate                          | $\pm 0.1^\circ$            |
| Allowable rotational torque                             | 2.39N·m                    |
| Weight  | 1.301 Kg                   |

# Dimensions



## Constructions



### Component Parts

| No. | Description                   | Material                       | Note               |
|-----|-------------------------------|--------------------------------|--------------------|
| 1   | Cylinder tube                 | Aluminium alloy                | Hard anodised      |
| 2   | Collar                        | Aluminium alloy                | Chromated, Coated  |
| 3   | Piston                        | Aluminium alloy                | Chromated          |
| 4   | Piston rod                    | Carbon steel                   | Hard chrome plated |
| 5   | Plate                         | Aluminium alloy                | Anodised           |
| 6   | Guide rod                     | Stainless steel                | Hard chrome plated |
| 7   | Bushing                       | Oil-impregnated sintered alloy |                    |
| 8   | Bushing                       | Bronze alloy                   |                    |
| 9   | Hexagon socket head cap screw | Carbon steel                   | Nickel plated      |
| 10  | Hexagon socket head cap screw | Carbon steel                   | Nickel plated      |
| 11  | Snap ring                     | Carbon tool steel              | Phosphate coated   |
| 12  | Bumper A                      | Urethan                        |                    |
| 13  | Bumper B                      | Urethan                        |                    |
| 14  | Magnet                        | —                              |                    |
| 15  | Rod seal                      | NBR                            |                    |
| 16  | Piston seal                   | NBR                            |                    |
| 17  | Gasket                        | NBR                            |                    |

## Additional information

Catalogue

[CQM\\_EU.pdf](#)

Operation manuals

[cqm\\_op\\_manual\\_cqm\\_-om0001c.pdf](#)