

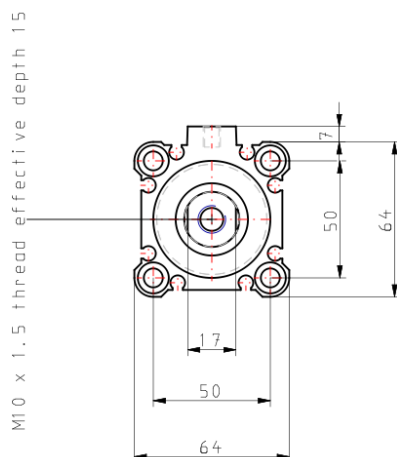
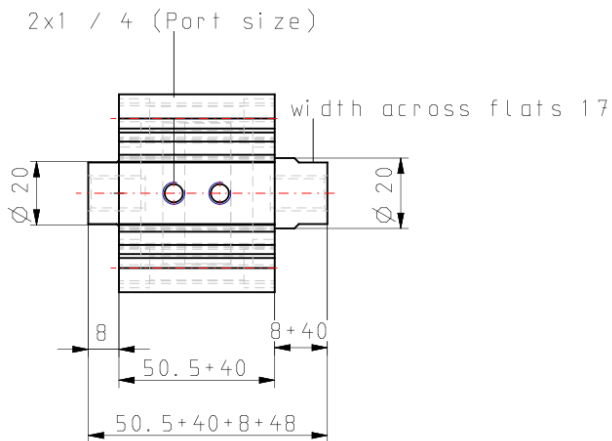
## C(D)Q2W, Compact Cylinder, Double Acting Double Rod w/Auto Switch Mounting Groove CDQ2WB50TF-40DZ

### Datasheet

Following a review of our popular CQ2 compact cylinder Series our R&D engineers have totally redesigned the complete cylinder range to bring you even more performance benefits and increased cylinder options. The major difference between the new CQ2 range and the old model is the totally redesigned body, which offers improved auto-switch mounting possibilities plus an overall reduction of cylinder weight of between 5 -13% depending on the model. Now, all CQ2 cylinders from Ø 32 to 200mm are designed with slide in grooves which can accommodate auto-switches on all four cylinder sides without the need for auto-switch brackets. And, for smaller bore sizes between Ø 12 and 25mm, slide in grooves have also been integrated in the new body design to accommodate bracket free auto-switches on two surfaces. Designed for use with our simple to set, dual colour, solid state auto-switches, the integrated auto-switch channel ensures total protection against potential accidental damage and improved health and safety benefits during both installation and maintenance procedures.

|  |   |
|--|---|
| Magnet                                 | D (Built-in)                            |
| Mounting                               | B (Through Hole [Standard])             |
| Type                                   | Standard                                |
| Bore Size                              | Ø50 mm                                  |
| Port Thread Type                       | TF                                      |
| Stroke                                 | 40                                      |
| Body Option                            | Standard (Rod End Female Thread)        |
| Auto Switch Groove                     | Z (Auto Switch Mounting Grooves)        |
| Auto Switch                            | No Switch                               |
| Lead Wire or Prewired Connector        | 0.5 m or None in the Case of No Switch  |
| Number                                 | 2 pcs. or None in the Case of No Switch |
| Rod End Options                        | None                                    |
| Temperature Resistance                 | None                                    |
| Low Speed                              | None                                    |
| Made of Stainless Steel                | None                                    |
| Fluororubber Seal                      | None                                    |
| Pressure medium                        | Compressed air                          |
| Conform to the European RoHS Directive | Not conform                             |
| Numero of pneumatic connections        | 2 pcs.                                  |
| Mode of operation of drive             | Double acting                           |
| Weight                                 | 0.825 Kg                                |

## Dimensions



## Additional information

Catalogue

[CQ2-Z-B\\_EU.pdf](#)