

C(D)QS, Compact Cylinder, Single Acting, Single Rod CDQSB12-10S

Datasheet

General series information

- Spring extend or spring return
- Bore sizes in mm: 12, 16, 20, 25
- Strokes: 5mm & 10mm
- Mounts: through hole, both ends tapped, foot, front or rear flanges
- Variety of switches and a variety of lead wire lengths



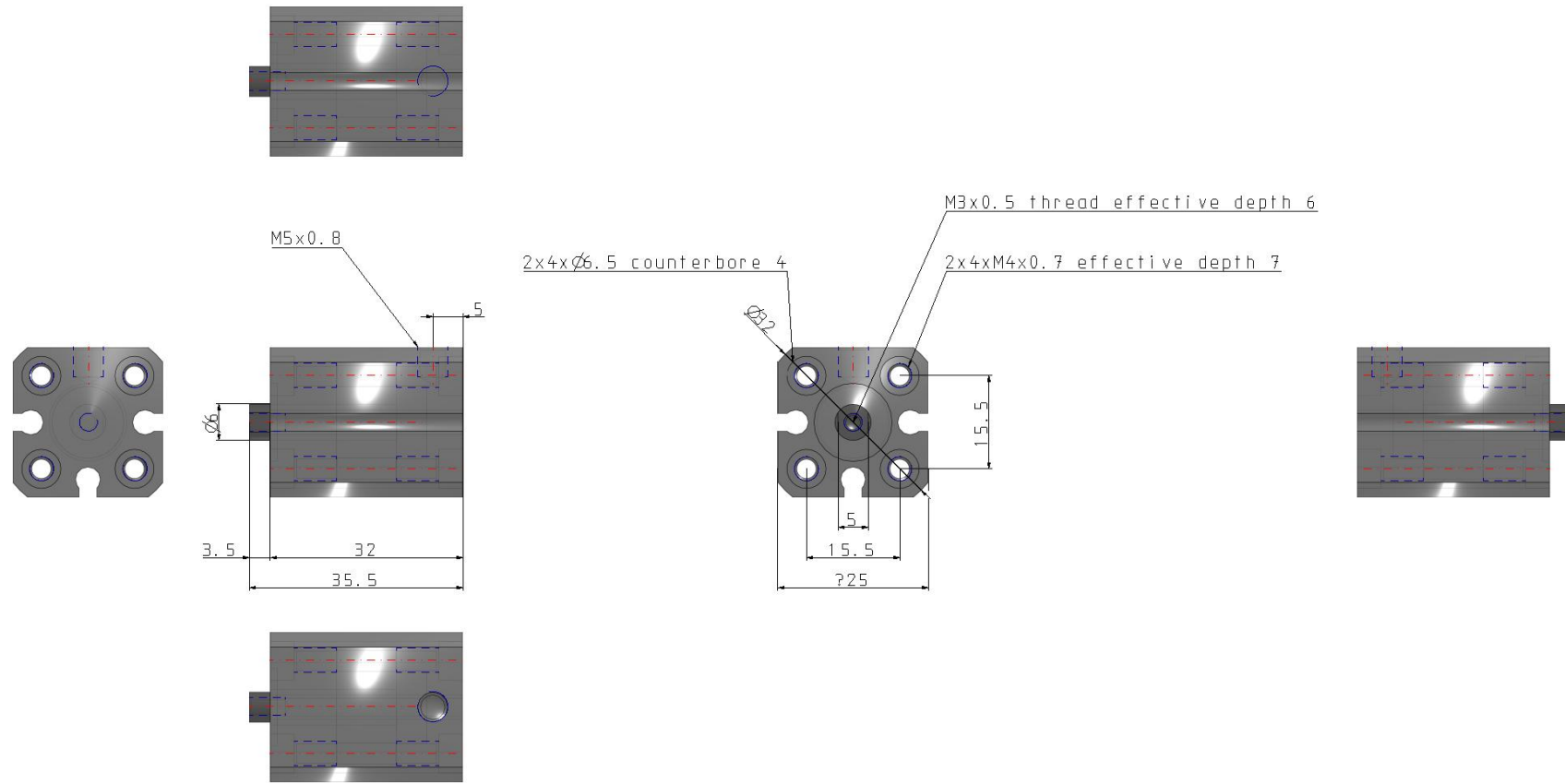
Single-acting cylinder, single piston rod, return stroke by spring

Standard specifications

Magnet	D (Built-in)
Mounting	B (Through Hole, Both Ends Tapped)
Bore Size	Ø12 mm
Stroke	10 mm
Action	S (Single Acting Spring Return)
Option	Standard (Rod End Female Thread)
Auto Switch	No Switch
Lead Wire or Prewired Connector	0.5 m (Or None in the Case of No Switch)
Number	2 pcs. (Or None in the Case of No Switch)
Rod End Options	None
Pressure medium	Air
Maximum temperature of pressure medium	60 °C
Minimum temperature of pressure medium	-10 °C
Maximum operating pressure	1.0 MPa
Minimum operating pressure	0.25 MPa
Proof pressure	1.5 MPa
Maximum ambient temperature	60 °C
Minimum ambient temperature	-10 °C

Number of pneumatic connections	1 pc.
Pneumatic input connection	M5
Mode of operation of drive single	Single acting, spring return
Theoretical cylinder force, return stroke (at 0.5 MPa)	43 N
Maximum piston speed	500 mm/s
Piston rod end	Internal thread
Geometric form of the piston rod	Round piston rod
Malethread of rod end	M3
Minimum piston speed	50 mm/s
Lubrication	Non-lube
Weight	0.040 Kg

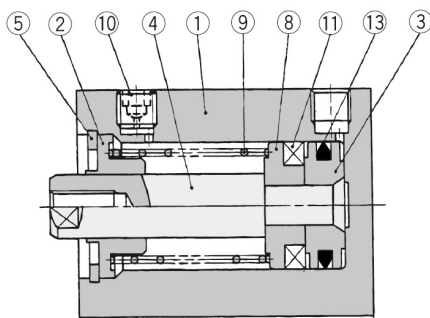
Dimensions



Constructions

Construction

Single acting/Spring return/With auto switch
 (Built-in magnet)
 ø12, ø16



Component Parts

No.	Description	Material	Note
1	Cylinder tube	Aluminium alloy	Hard anodised
2	Collar	Aluminium bearing alloy	Anodised
3	Piston	Aluminium alloy	Spring return
		Stainless steel	Spring extend
4	Piston rod	Stainless steel	
5	Snap ring	Carbon tool steel	Phosphate coating
8	Switch spacer	Aluminium alloy	Chromated
9	Return spring	Piano wire	Zinc chromated
10	Plug with fixed orifice	Alloy steel	Nickel plated
11	Magnet	—	
13	Piston seal	NBR	

Additional information

Catalogue

[CQS_EU.pdf](#)