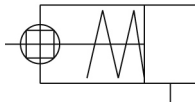




## C(D)85-S/T, ISO Cylinder, Single Acting, Single Rod C85N16-125T

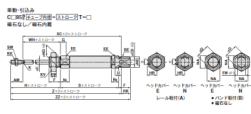
- Single acting, single rod, spring return/spring extend
- Conforms to ISO standard 6432
- Bore sizes (mm): 8, 10, 12, 16, 20, 25
- Standard strokes up to 150mm
- Auto switch capable



Single-acting cylinder, non rotating single piston rod, return stroke by spring

Magnet	None
Mounting	N (Basic Integrated Clevis)
Bore Size	Ø16 mm
Stroke	125
Action	T (Spring Extend)
Switch Mounting	None
Auto Switch	No Switch
Lead Wire or Prewired Connector	0.5m (Or None in the Case of No Switch)
Number	2 pcs. (Or None in the Case of No Switch)
Rod End Options	None
Made of Stainless Steel	None
-	Compressed air
Maximum temperature of pressure medium	80°C
Minimum temperature of pressure medium	-20°C
Maximum operating pressure	1 MPa
Minimum operating pressure	0.13 Mpa
Proof pressure	1.5 MPa
Maximum ambient temperature	80°C
Minimum ambient temperature	-20°C

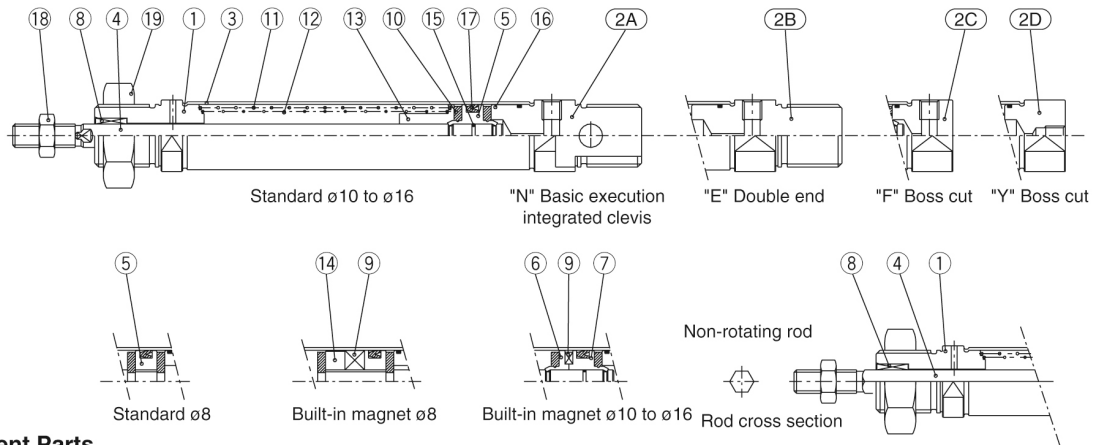
Pneumatic input connection	M5
Pneumatic output connection	M5
Mode of operation of drive single	Single acting, spring extend
Maximum piston speed	1500 mm/s
Type of cushioning	Rubber bumper
Piston rod end	External thread
Male thread of rod end	M6
Weight	0.206 Kg



寸法表

寸法	単位	寸法	単位	寸法	単位	寸法	単位	寸法	単位
L	mm	L1	mm	L2	mm	L3	mm	L4	mm
L5	mm	L6	mm	L7	mm	L8	mm	L9	mm
L10	mm	L11	mm	L12	mm	L13	mm	L14	mm
L15	mm	L16	mm	L17	mm	L18	mm	L19	mm
L20	mm	L21	mm	L22	mm	L23	mm	L24	mm
L25	mm	L26	mm	L27	mm	L28	mm	L29	mm
L30	mm	L31	mm	L32	mm	L33	mm	L34	mm
L35	mm	L36	mm	L37	mm	L38	mm	L39	mm
L40	mm	L41	mm	L42	mm	L43	mm	L44	mm
L45	mm	L46	mm	L47	mm	L48	mm	L49	mm
L50	mm	L51	mm	L52	mm	L53	mm	L54	mm
L55	mm	L56	mm	L57	mm	L58	mm	L59	mm
L60	mm	L61	mm	L62	mm	L63	mm	L64	mm
L65	mm	L66	mm	L67	mm	L68	mm	L69	mm
L70	mm	L71	mm	L72	mm	L73	mm	L74	mm
L75	mm	L76	mm	L77	mm	L78	mm	L79	mm
L80	mm	L81	mm	L82	mm	L83	mm	L84	mm
L85	mm	L86	mm	L87	mm	L88	mm	L89	mm
L90	mm	L91	mm	L92	mm	L93	mm	L94	mm
L95	mm	L96	mm	L97	mm	L98	mm	L99	mm
L100	mm								

**Single acting: Single rod**  
**Spring return/C□85□8 to 16-□S (Disassembly is not possible)**



**Component Parts**

No.	Description	Material	Quantity	Remarks
①	Rod cover	Aluminum alloy	1	White anodized
②A	Head cover N	Aluminum alloy	1	White anodized
②B	Head cover E	Aluminum alloy	1	White anodized
②C	Head cover F	Aluminum alloy	1	White anodized
②D	Head cover Y	Aluminum alloy	1	White anodized
③	Cylinder tube	Stainless steel	1	
④	Piston rod	Stainless steel	1	
⑤	Piston	Brass	1	
⑥	Piston A	Brass	1	(Switch style only)
⑦	Piston B	Brass	1	(Switch style only)
⑧	Bushing	Sintered bronze	1	

No.	Description	Material	Quantity	Remarks
⑨	Magnet		1	(Switch style only)
⑩	Bumper	Urethane	2	
⑪	Return spring A	Piano wire	1	
⑫	Return spring B	Piano wire	1	
⑬	Spring guide	Brass	1	
⑭	Spacer	Brass	1	
⑮	Piston gasket	NBR	1	
⑯	Tube gasket	NBR	1	
⑰	Piston seal	NBR	1	
⑱	Rod end nut	Carbon steel	1	Nickel plated
⑲	Mounting nut	Carbon steel	1	Nickel plated

-  
-

C85\_C75-A\_EU.pdf