

# MXH-Z, Compact Slide Table, Linear Guide

## MXH16-20Z

Datasheet

### General series information

- Bore sizes: 6, 10, 16, 20 mm
- Special (non-standard) porting option
- Rubber bumpers
- RoHS compliant
- Auto switch capable



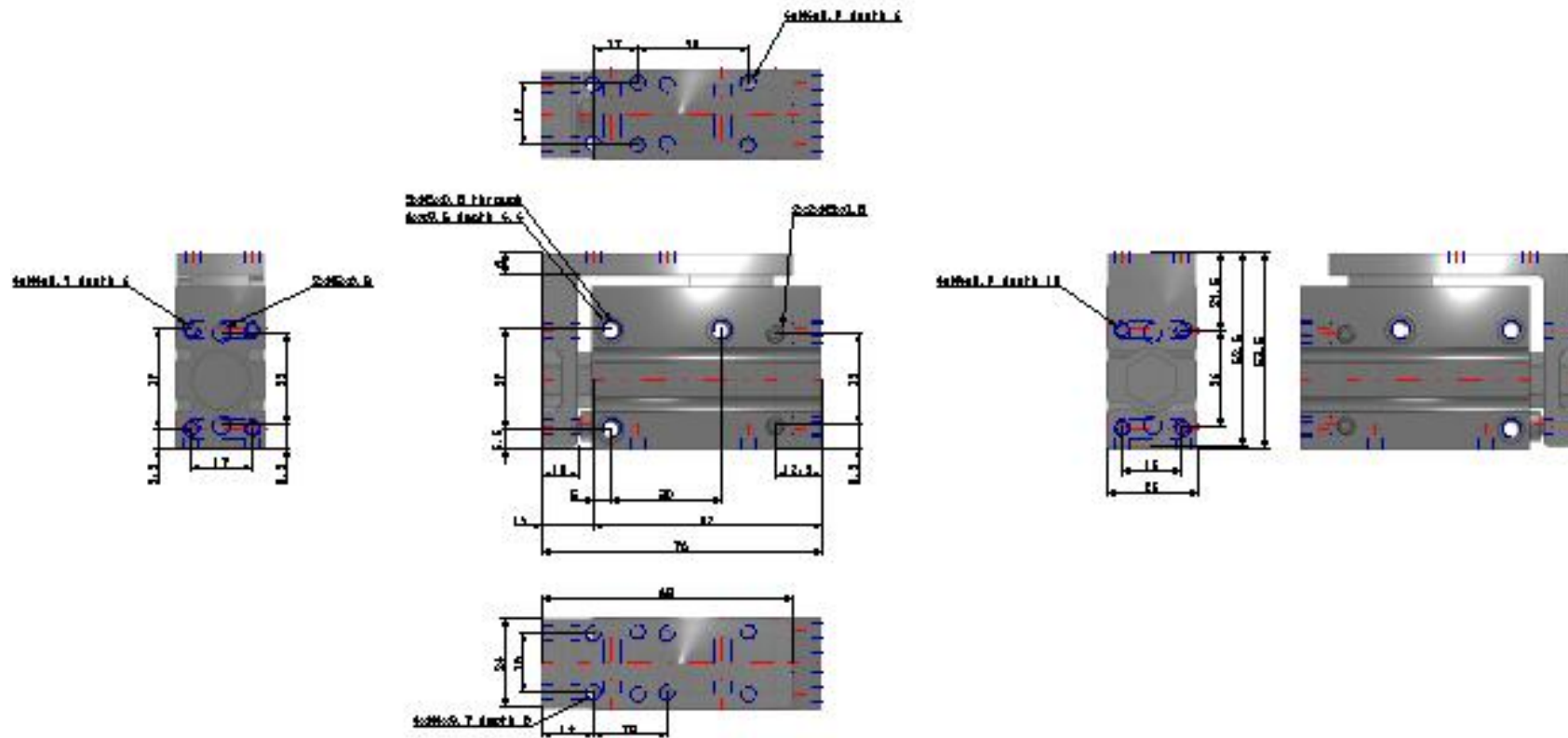
Double-acting, single-rod cylinder

### Standard specifications

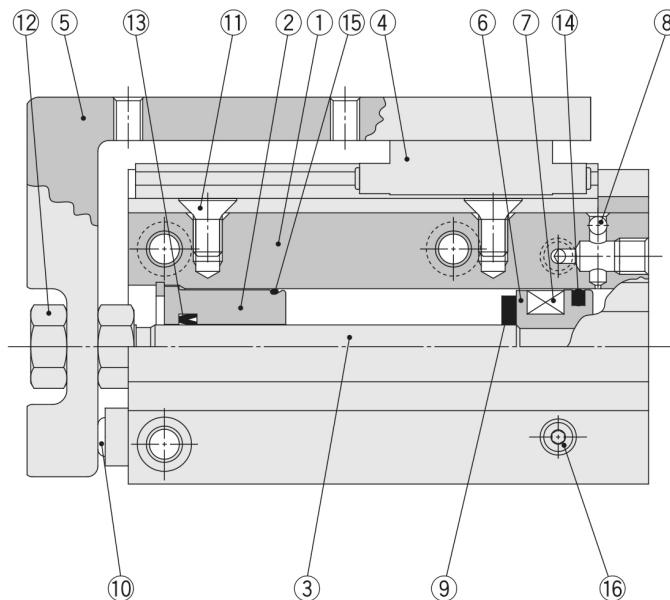
Bore Size	16mm
Stroke	20mm
Auto Switch	No Switch
Lead Wire or Prewired Connector	0.5m (Or None in the Case of No Switch)
Number	2 pcs. (Or None in the Case of No Switch)
Made to Order	None
Pressure medium	Compressed air
Maximum temperature of pressure medium with magnet	60 °C
Minimum temperature of pressure medium with magnet	-10 °C [without condensation]
Maximum operating pressure	0.7 MPa
Minimum operating pressure	0,06 Mpa
Proof pressure	1.05 MPa
Maximum ambient temperature with magnet	60 °C
Minimum ambient temperature with magnet	-10 °C [without condensation]
Conform to the European RoHS Directive	Conform
Number of pneumatic connections	2 pcs.
Pneumatic input connection	M5
Mode of operation of drive	Double acting

Theoretical cylinder force, advance stroke (at 0.5 MPa)	101 N
Theoretical cylinder force, return stroke (at 0.5 MPa)	86 N
Maximum piston speed	500 mm/s
Type of cushioning	Rubber Bumper
Allowable moment Mp	3,49
Allowable moment My	3,49
Allowable moment Mr	6,47
Allowable kinetic energy	0,05
Weight	0.231 Kg

# Dimensions



## Constructions



### Component Parts

No.	Description	Material	Note
1	<b>Cylinder tube</b>	Aluminium alloy	Hard anodised
2	<b>Rod cover</b>	Aluminium alloy	Hard anodised
3	<b>Piston rod</b>	Stainless steel	
4	<b>Guide</b>	The main parts are made of stainless steel.	
5	<b>Table</b>	Aluminium alloy	Hard anodised
6	<b>Piston</b>	Aluminium alloy	Chromated
7	<b>Magnet</b>	Magnetic material	
8	<b>Steel ball</b>	Carbon steel	
9	<b>Bumper</b>	Urethane	
10	<b>Bumper</b>	Urethane	
11	Countersunk head screw	Carbon steel	Nickel plating
12	<b>Nut</b>	Brass	Nickel plating
13	<b>Rod seal</b>	NBR	
14	<b>Piston seal</b>	NBR	
15	<b>Gasket</b>	NBR	
16	<b>Plug</b>	Carbon steel	Zinc chromated

Note) The MXH series cannot be disassembled.

## Additional information

Catalogue

[MXH-Z-A\\_EU.pdf](#)

Operation manuals

[OM\\_MXHx\\_OM0056EN-P.pdf](#)